

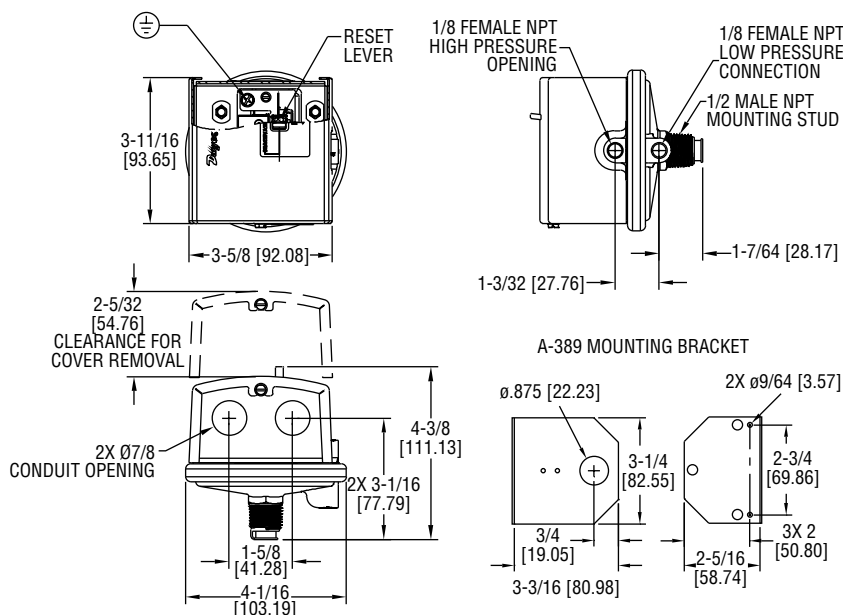


Series 1831 Low Differential Pressure Switches

Specifications - Installation and Operating Instructions



Series 1831 pressure switch.



One of our most popular differential pressure switches is now available with a DPDT switch. The 1831 combines small size with 4% set point repeatability. Absolutely no power is required to operate the DPDT switch. Set point adjustment on the switch is easily accessible for modifying the set point. A mounting bracket is included for simplified installation.

MANUAL RESET OPERATION - ACTIVATE ON INCREASE

Models with "manual reset" are DPDT configuration and operate as follows: If differential pressure increases above the set-point, the snap switch is actuated or latched so N.O. contacts are closed and N.C. contacts are open. They will remain in that condition even if differential pressure decreases below the set-point until manually deactivated by reset lever.

SET POINT THRESHOLD CHECK:

The reset lever can act as a test feature during system installation or maintenance, even if set point threshold is not exceeded. A periodic lever override is recommended to ensure proper switch performance. Pushing the lever to the right (when viewed from the cover side of the switch with the ports pointed down) will cause the switch to change state, simulating a condition in which the set point threshold has been exceeded. The lever then must be manually reset, pushing the lever to the left to deactivate the switches to complete the override procedure.



CAUTION: If the switch set point threshold has been exceeded and the lever is in the tripped position on the right, the lever can be moved to the left position and manually held by the user, overriding the alarm condition as long as the user holds it there. If the switch set point threshold is still exceeded and the operator releases the reset lever, it will pull back to the tripped position on the right and remain in that location until the set point has dropped below the set point threshold and the user resets the lever normally.

SPECIFICATIONS

Service: Air and non-combustible, compatible gases.

Environment: Intended for indoor use.

Wetted Materials: Consult factory.

Temperature Limits: -30 to 180°F (-34.4 to 82.2°C).

Pressure Limits: 10 psig (68.95 kPa) continuous; 25 psig (172.4 kPa) surge.

Humidity Limits: 80% RH (non-condensing).

Altitude Limits: 6560 ft (2000 m) max.

Switch Type: 2 SPDT.

Actuation Time Difference: 1 millisecond maximum actuation delay between contacts.

Repeatability: ±4% max of setpoint.

Electrical Rating: 4A resistive @ 125/250 VAC (~); 50/60 Hz. 3A inductive 30 VDC (==); 5A resistive 30 VDC (==).

Electrical Connections: Screw type terminal block.

Installation Category: II (transient over-voltage).

Process Connections: 1/8" female NPT.

Mounting Orientation: Diaphragm in vertical position. Consult factory for other position orientations. Mounting bracket included.

Set Point Adjustment: Screw type inside mounting spud.

Weight: 1 lb 2 oz (522 g).

Explanation of Symbols:

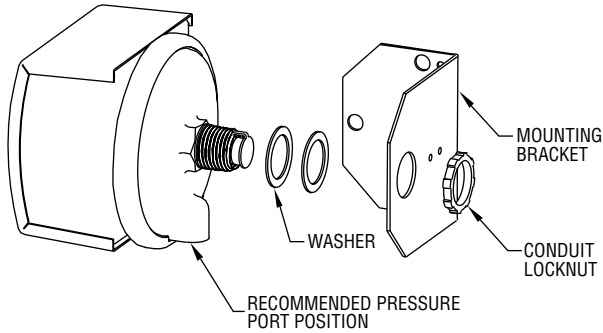
Symbol	Publication	Description
—	IEC 50417 - 5031	Direct current
~	IEC 50417 - 5032	Alternating current
⊕	IEC 50417 - 5019	Protective conductor terminal
	IEC 50417 - 5007	On (supply)
○	IEC 50417 - 5008	Off (supply)

INSTALLATION

Mounting

1. Select a location free from excessive vibration and where oil or water will not drip upon the switch. See special housings for unusual conditions.
2. **While not required, positioning the pressure connections down is recommended.** Mount the switch with the diaphragm in a vertical plane. Switch must be recalibrated for each change in operating position.

Mounting when using optional A-389 Mounting Bracket



Connecting to Process

3. Connect switch to source of pressure differential. Metal tubing with 1/4" O.D. is recommended but any tubing system which will not restrict the air flow is satisfactory. Note that the low pressure connection may be made to the 1/2" spud at the back of the switch if desired. If so connected, drill 1/16" diameter holes in the Spring Retainer flange and the head of Adjustment Screw to provide opening to the switch interior and plug the other low pressure connection.

Wiring

4. Electrical connections to the snap switches are provided by means of terminal block marked "common", "norm open", and "norm closed". See Figure 1. The normally open contacts close and the normally closed contacts open when pressure increases beyond the set point. For failsafe applications, it is recommended to use N.C. contact wiring. Use 14-30 AWG copper wire rated 194°F (90°C) min.



CAUTION: Power must be off while wiring connections are being made.



CAUTION: Do not exceed the specified voltage rating. Permanent damage not covered by the warranty may result.

5. Switch loads should not exceed the maximum specified current rating of 4 amps resistive on standard models. Switch capabilities decrease with high load inductance or rapid cycle rates. Whenever an application involves one or more of these factors, the user may find it desirable to limit the switched current to 3 amps or less in the interest of prolonged switch life.

Wiring Terminals

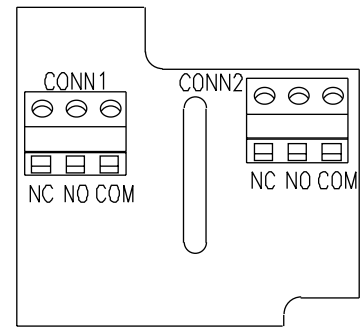


Figure 1

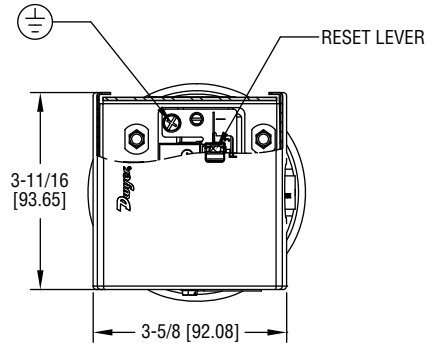


Figure 2

ADJUSTMENT

1. If the switch has been factory preset, check the set-point before placing in service to assure it has not shifted in transit.
2. If switching has not been preset or it is desired to change the point, observe the following procedure:
 - a. To adjust the set point turn the slotted Adjustment Screw clockwise to increase the set point and counterclockwise to decrease the set point.
 - b. The following is a recommended procedure for calibrating or checking calibration: Use a "T" assembly with three rubber tubing leads, all as short as possible and the entire assembly offering minimum flow restriction. Run one lead to the pressure switch, another to a manometer of known accuracy and appropriate range, and apply pressure through the third tube. Make final approach to the set point slowly. Note the manometer and pressure switch will have different response characteristics due to different internal volumes, lengths of tubing, oil drainage, etc. Be certain switch is checked in position it will assume in use, i.e. vertical, horizontal, etc.

MAINTENANCE

Upon final installation of the Series 1831 Low DPDT Differential Pressure Switch, no routine maintenance is required. A periodic check of product performance is recommended. Check by applying pressure to activate the switches. Ensure the reset level properly resets both switches after the set point threshold has been withdrawn. The Series 1831 is not field serviceable and should be returned if repair is needed (field repair should not be attempted and may void warranty). Be sure to include a brief description of the problem plus any relevant application notes. Contact customer service to receive a return goods authorization number before shipping.