

Thermal Imaging IR Camera Model 1954



99 Washington Street
Melrose, MA 02176
Phone 781-665-1400
Toll Free 1-800-517-8431

Quick Start Guide
ENGLISH

▶ Visit us at www.TestEquipmentDepot.com



Measure up

 **AEMC**[®]
INSTRUMENTS
CHAUVIN ARNOUX GROUP






ATTENTION

An infrared camera is a sensitive optical measuring device. Pay special attention to the following points:

1. Never aim the camera at the sun, a laser welding, or other source of powerful thermal radiation.
2. Avoid exposure to dust with the lens flap open.
3. Do not touch the lens with your fingers.
4. Avoid jolting or dropping the camera.

If parts of the camera are damaged or not functioning as expected following failure to heed the warnings listed above, neither the manufacturer nor the distributor shall be held liable, and all costs incurred shall be borne solely by the operator.

Symbols used on the instrument:

	The CE marking indicates compliance with the European "Low Voltage" and "Electromagnetic Compatibility" directives (2006/95/EC and 2004/108/EC).
	In the European Union, this product is subject to selective collection and recycling at end-of-life as waste electric and electronic equipment under directive 2002/96/EC (WEEE): this equipment must not be treated as an ordinary household waste. The spent batteries must not be treated as household wastes. Take them to the appropriate collection point for recycling.
	This product is designed to allow the recovery and recycling of most of its constituents.

ORDERING INFORMATION

Receiving Your Shipment

Upon receiving your shipment, make sure that the contents are consistent with the packing list. Notify your distributor of any missing items. If the equipment appears to be damaged, file a claim immediately with the carrier and notify your distributor at once, giving a detailed description of any damage. Save the damaged packing container to substantiate your claim.

Ordering Information

Thermal Imaging IR Camera Model 1954 **Cat. #2121.41**
Includes carrying case, external battery charger, USB cable, four NiMh rechargeable batteries, micro SD card with adaptor, Bluetooth headset, quick start guide, and a USB drive containing the user manual, CAMReport software, and software manual.

Replacement Parts:

Case – Carrying Case with Foam Insert **Cat. #2121.60**

Cable – USB (Type A to 5-pin Mini-B) **Cat. #2126.49**

The rechargeable batteries supplied with the camera can be charged with any commercially available AA charger.

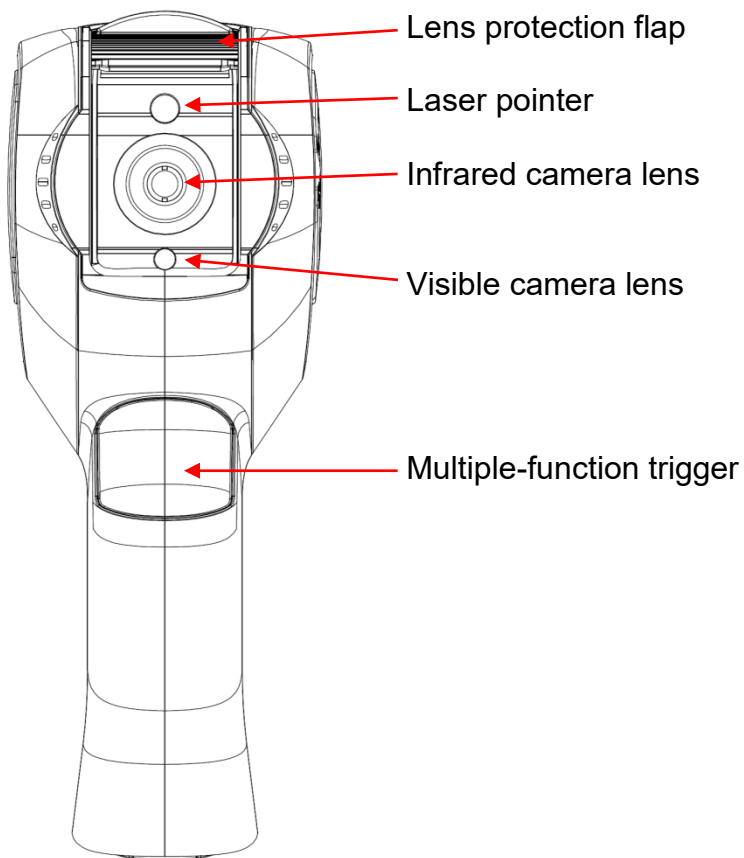
1. QUICK START STEPS

The following steps assume default settings:

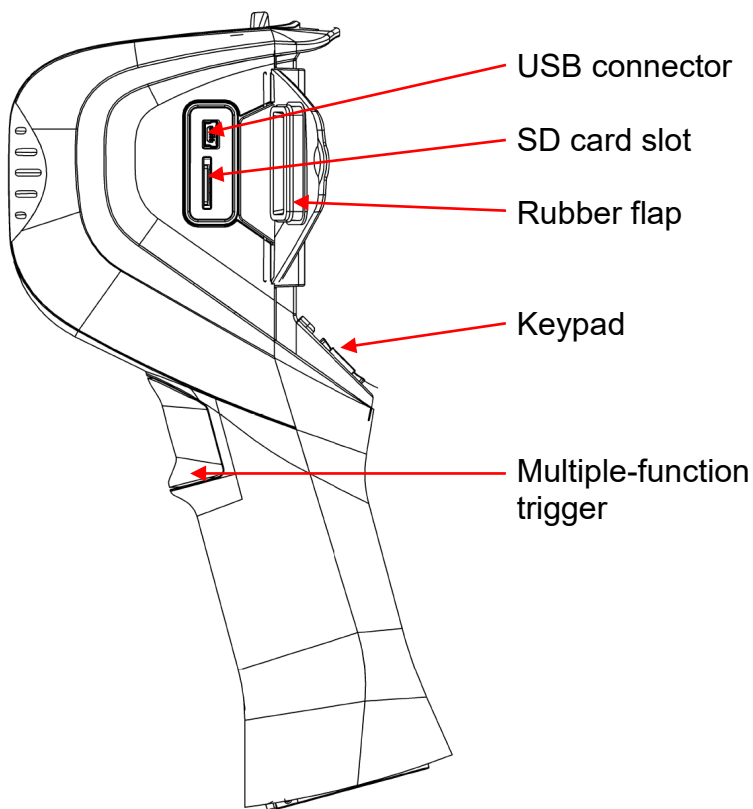
1. Insert charged batteries in the camera (if not already installed).
2. Insert the micro SD memory card into its slot.
3. Open the flap protecting the lenses.
4. Press the ON/OFF key:
 - If you have installed new batteries, configure Battery Manager (see instructions in the User Manual § 1.2.1).
 - If prompted, enter the date and time.
5. Aim at the target. An IR image (thermogram) of the target appears in the display.
6. To save the thermogram and its associated visible light image, press F2 to freeze the image and then press F3. The images are saved in a file in the micro SD card.
7. You can recall and view saved images on the camera, or transfer images to a computer (using the USB cable or a micro SD card reader) for analysis and report generation with the provided CAMReport software.

NOTE: For more information, refer to the User Manual on the USB drive.

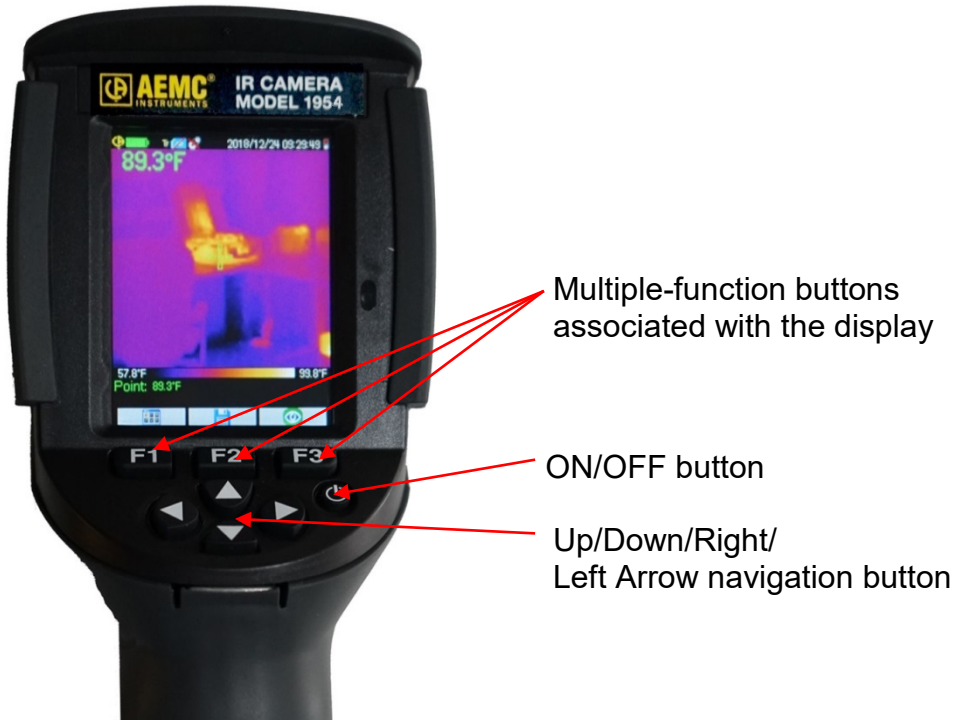
2. FRONT VIEW



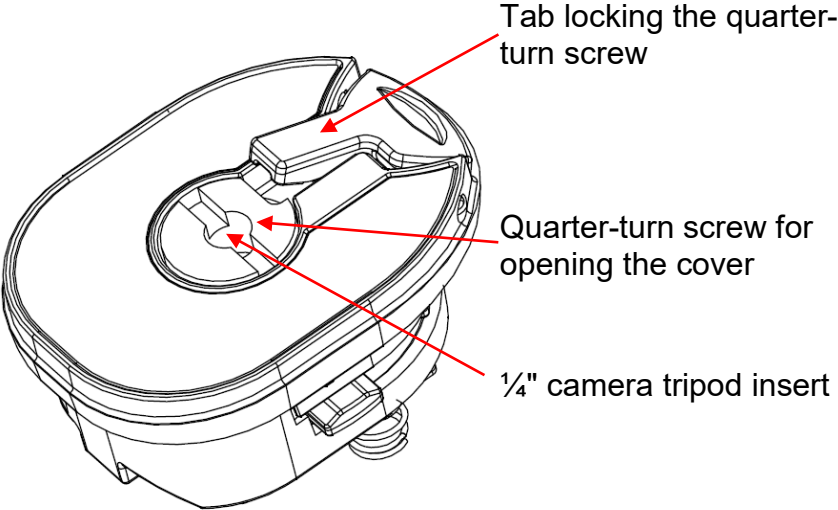
3. SIDE VIEW



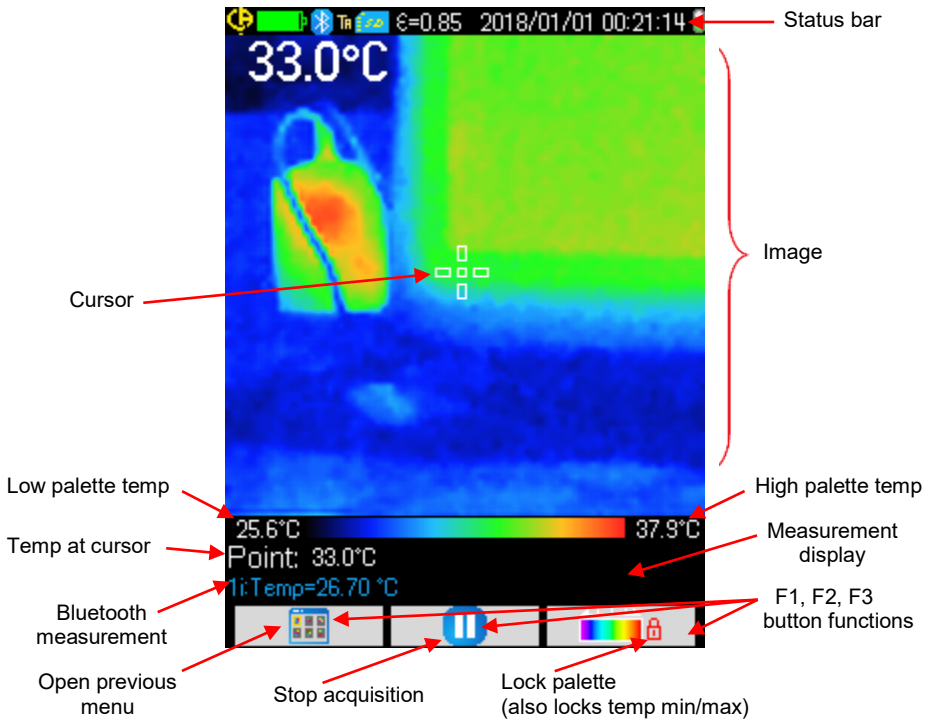
4. KEY FUNCTIONS



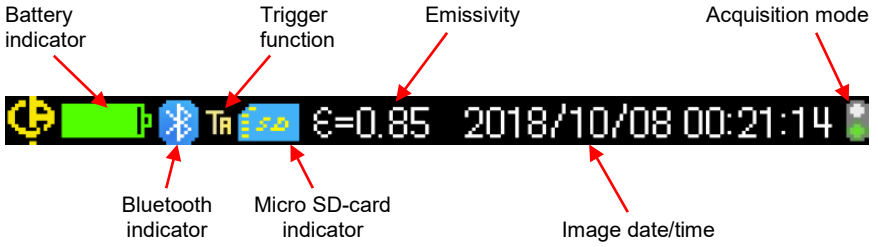
5. BATTERY COMPARTMENT COVER



6. DISPLAY



7. STATUS BAR





99-MAN 100484 v1 03/19

Test Equipment Depot - 800.517.8431 - 99 Washington Street Melrose, MA 02176

TestEquipmentDepot.com