

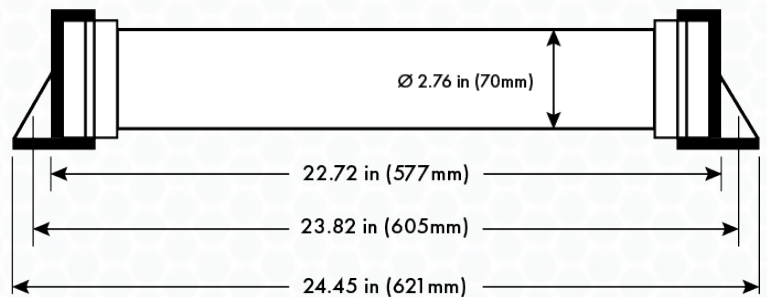
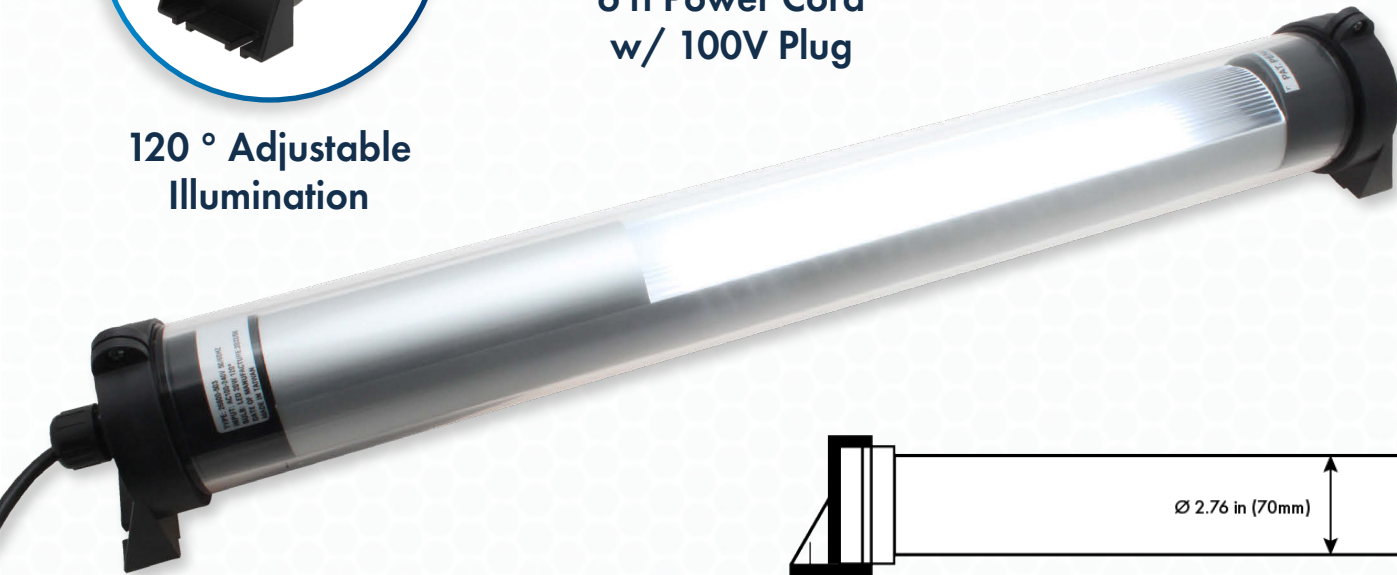


**120 ° Adjustable
Illumination**



**6 ft Power Cord
w/ 100V Plug**

High Brightness	Glass Diffuser	IP67 Rated	Angle Light 0° - 120°
20 Watt LEDs	Provides even light distribution	Sealed to keep out fluids, chips & shavings	Adjustable mounting bracket



Machine Light

Tubular LED Machine Light 20 Watt 22.72 in (577mm) with Glass Diffuser

Aven's LED machine lights are designed to provide even, ultra high brightness and a wide illumination angle for use with machining centers, semiconductor manufacturing equipment, workshops, clean rooms etc. This Tubular LED Machine Light is 22.72 in (577mm) in length with a diameter of 2.76 in (70mm). The LED lights provide 40,000 hours of life. The Glass diffuser lens provides even light distribution. The machine light is IP67 rated and comes with a mounting bracket with hardware and a 6ft cable with 110V plug.

Key Features

- Long life LEDs (40,000 hours)
- Illuminance: 520 lux at 47 inches (1.2 meters)
- Wide illumination angle
- IP67 rated
- Sealed to keep out fluids, chips and shavings
- Glass diffuser lens
- Built-in Ballast

Machine Light <i>Tubular LED Machine Light 20 Watt 22.72 in (577mm) with Glass Diffuser</i>	
Item #	26600-503G
Input Voltage	AC100-240V 50/60 HZ
LED Watts	20 watts
Illuminance	520 lux at 47 in (1.2meters)
Color Temperature	5700K
Illumination Angle	0° - 120° Degrees
Rating	IP67
Lens Type	Glass
Cable Length	6 ft with 110V Plug
Operating Temperature Range	-30°C to +40°C -22°F to +104°F
Package Contents	<ul style="list-style-type: none"> • Machine Light • Mounting Bracket w/ Hardware • 6ft cable w/ 110V plug