

SHIMPO

Magnetic Pickup Model 3030AN

Instruction Manual

General

Model 3030AN pickup provides a sine wave output whenever there is an abrupt change from non-magnetic to magnetic material moving past the sensor pole. The output voltage is directly proportional to the change in magnetic flux intensity over the change in time.

Mounting

The unit is designed to mount in a 5/8" - 18 threaded hole and is provided with a jam nut for securing the sensor.

Adjustment

The pickup should be adjusted for a typical clearance of .01" between the sensor and gear. This adjustment will provide excellent sensitivity and resolution.

Temperature Range

-100°F to +225°F (-73°C to +107°C)

Connections

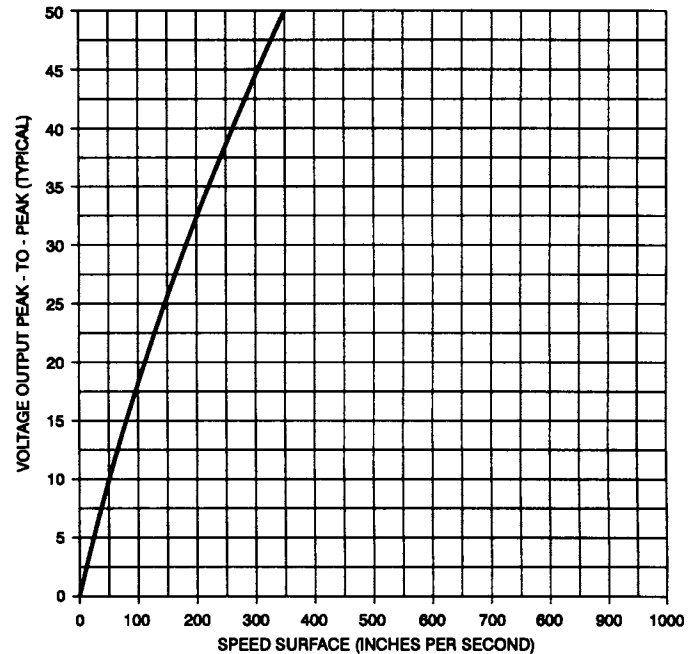
All connections refer to cable and mating connectors which must be purchased separately.

Braid: Sensor cable shield

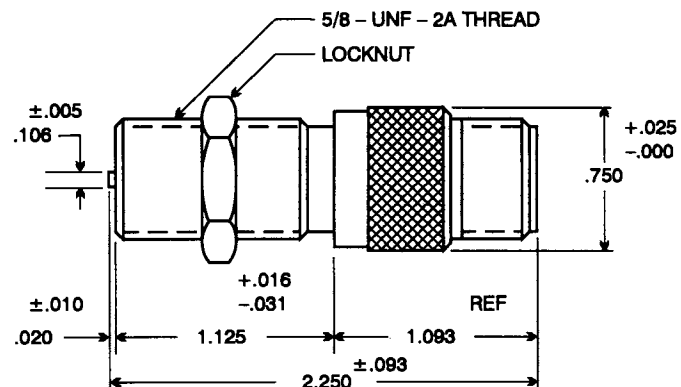
White: Signal output lead

Black: Sensor common

Note: When ferrous metal is introduced sensor magnetic field, pin B (Black) will be positive with respect to pin A (White).



Shows peak-to-peak voltage output vs. surface speed of a 20-pitch, 30 tooth ferromagnetic gear at 0.005 inch clearance. Load = 100,000 ohms.



Dimensions in inches