

CO warning instruments and gas spillage detectors

For safety & service

testo 315-1

testo 315-2

testo 317-3


testo 317-1



Versatile CO measurement – For safety and service

testo 315-1

CO warning and servicing instrument for gas heating systems, with battery and calibration protocol



Part no. 0632 0315

testo 315-1 provides you with all the measurement functions needed to service gas heating systems. While measuring draught, pressure difference or temperature, the instrument can also simultaneously show the CO level in ambient air. In this way, you always have the system's safety under your watchful eye.

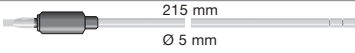


- Reliable CO warning
- Three alarm thresholds are freely adjustable
- Audible and visual alarm
- Automatic zero point adjustment
- Two temperature sockets to compare flow and return temperature
- Compensation of deviations in readings due to temperature
- TopSafe case protects from dirt, water and impact (optional)

| Sensor types | ppm CO | hPa | hPa | °C | µA |
|-------------------|--|--|---|--|-----------------|
| Meas. range | 0 to +2.000 ppm CO | -200 to +200 hPa | -40 to +40 hPa | -40 to +600 °C | -100 to +100 µA |
| Accuracy ±1 digit | ±10 ppm CO (0 to +100 ppm CO) ±10% of mv (+100 to +2000 ppm CO) | ±0.5 hPa (-49.9 to +49.9 hPa) ±1.5 hPa (-200 to -50 hPa) ±1.5 hPa (+50 to +200 hPa) | ±1.5% of mv (-40 to -3 hPa) ±1.5% of mv (+3 to +40 hPa) ±0.03 hPa (-2.99 to +2.99 hPa) | ±0.5 °C (0 to +99 °C) ±0.5% of mv (+100 to +600 °C) | ±3 µA |
| Resolution | 1 ppm CO | 0.1 hPa | 0.01 hPa | 0.1 °C | 1 µA |

General technical data

| | | | |
|---------------|------------------|------------------|--|
| Storage temp. | -20 to +50 °C | Weight | 400 g |
| Oper. temp. | +5 to +45 °C | Dimensions | 215 x 68 x 47 mm |
| Display | LCD, 2 lines | Material/Housing | ABS |
| Battery type | 9V block battery | Warranty | Measuring instrument: 2 years Warranty conditions see internet page www.testo.com/warranty |
| Battery life | 16 h | | |

Accessories

| Probes testo 315-1 | Dimensions Probe shaft/probe shaft tip | Measuring range | Genauigkeit | t ₉₉ | Part no. |
|--|---|-----------------|-------------|-----------------|-----------|
| Pressure set with flue draught probe consisting of: |  215 mm Ø 5 mm | | | | 0554 3150 |
| Pipe wrap probe with velcro strip; for temperature measurement on pipes with diameter up to max. 120 mm; Tmax. +120 °C; TC Type K, Fixed cable |  395 mm 20 mm | -50 to +120 °C | Class 1 | 90 s | 0628 0020 |
| Pipe wrap probe for pipe diameter 5 to 65 mm, with exchangeable measuring head. Meas. range short-term to +280°C, TC Type K, Fixed cable |  | -60 to +130 °C | Class 2* | 5 s | 0602 4592 |

CO warning instrument

testo 315-2

testo 315-2 CO warning instrument, incl. battery and calibration protocol

Part no. 0632 0317



Use testo 315-2 to check the CO level in ambient air. Even low concentrations of the highly poisonous gas are detected. In this way, you can judge whether the burner flue gases are being fully drawn off.

- Safe CO warning
- Adjustable alarm thresholds
- Audible & optical alarm
- Automatic zero-point adjustment
- Data documentation on site with the fast printer (option)
- TopSafe cover protects from dirt, water and impact (option)

| Sensor type | ppm CO |
|------------------------|--|
| Meas. range | 0 to +2.000 ppm CO |
| Accuracy ± 1 digit | ± 10 ppm CO (0 to +100 ppm CO) $\pm 10\%$ of mv (+100 to +2.000 ppm CO) |
| Resolution | 1 ppm CO |

General technical data

| | |
|-----------------------|----------------------------------|
| Alarm limits | 50/100/500 ppm (Factory setting) |
| Zero point adjustment | Automatically when switched on |
| Oper. temp. | +5 to +45 °C |
| Storage temp. | -20 to +50 °C |
| Display | LCD, 2 lines |
| Battery type | 9V block battery |

| | |
|------------------|--|
| Weight | 400 g |
| Dimensions | 215 x 68 x 47 mm |
| Material/Housing | ABS |
| Warranty | Measuring instrument: 2 years Warranty conditions see internet page www.testo.com/warranty |

Accessories testo 315-1 / testo 315-2

Part no.


| Accessories and spare parts | | |
|--|-----------|--|
| 9V rech. battery for instrument, instead of battery | 0515 0025 | |
| Recharger for 9V rechargeable battery, for external recharging of 0515 0025 battery | 0554 0025 | |
| Transport and Protection | | |
| testo 312 / testo 315 TopSafe; protection case with bench stand; protects instrument from dirt and impact | 0516 0443 | |
| testo 312 Case for secure storage of measuring instrument, for secure storage of measuring instrument | 0516 0191 | |
| Transport case; plastic; for transport and secure storage of measuring instrument and accessories | 0516 3120 | |
| Printer and Accessories | | |
| Testo fast printer IRDA with wireless infrared interface; 1 roll thermal paper; 4 AA batteries; for printing out measurements on site | 0554 0549 | |
| External fast charger for 1-4 AA rech. batteries, incl. 4 Ni-MH rech. batteries with individual cell charging and charge control display, incl. impulse trickle charging, integrated discharge function, with built-in international mains plug, 100-240 V, 300 mA, 50/60 Hz | 0554 0610 | |
| Spare thermal paper for printer (6 rolls), permanent ink, measurement data documentation legible for up to 10 years | 0554 0568 | |
| Calibration Certificates | | |
| ISO calibration certificate/CO, CO probes; calibration points 0; 80 ppm | 0520 0039 | |

Ambient carbon monoxide warning

testo 317-3

testo 317-3, testo 317-3 CO monitor, incl. carrying case with belt clip, headphones, wrist strap, sampler and calibration protocol

Part no. 0632 3173



The testo 317-3 CO monitor detects the presence of carbon monoxide in the surrounding area and warns the user both visually and audibly about dangerous gas concentrations e.g. when installing and servicing gas heaters.

- 3 year warranty on CO sensor
- No zero phase, instrument can be used immediately
- Adjustable alarm threshold
- CO zeroing at site

General technical data

| | |
|-------------------|---|
| Meas. range | 0 to +1999 ppm |
| Accuracy ±1 digit | ±10 ppm (0 to +99 ppm) ±10 % (+100 to +499 ppm) ±20 % (>+500 ppm) |
| Resolution | 1 ppm |
| Oper. temp. | -5 to +45°C |

| | |
|---------------|---|
| Battery type | 2 batteries Type AAA |
| Battery life | 150 h (with beeper switched off) |
| Reaction time | 40 s |
| Warranty | 2 years on the instrument 3 years on the CO sensor |

Flue gas spillage detector

testo 317-1

testo 317-1 spillage detector with flexible probe, incl. battery

Part no. 0632 3170



The testo 317-1 flue gas spillage detector reliably detects escaping heating gases. The practical instrument immediately gives off a visual and audible alarm. It is therefore not necessary to actually see the detector. The bendable probe facilitates applications in confined areas.

- Reliable recognition of escaping flue gases
- Bendable measurement probe for points which are difficult to access
- Audible and visual alarm

General technical data

| | |
|------------------|-----------------------|
| Measuring medium | Ambient air |
| Reaction time | 2 s |
| Display | Visual/audible |
| Battery type | 3 AAA micro batteries |

| | |
|--------------------------|---|
| Weight | 300 g |
| Dimensions | 128 x 46 x 18 mm |
| Diameter/Probe pipe tip | Ø 10 mm |
| Length of probe pipe tip | 35 mm |
| Length of probe pipe | 200 mm |
| Warranty | Measuring instrument: 2 years Warranty conditions see internet page www.testo.com/warranty |

Test Equipment Depot 99 Washington Street
Melrose, MA 02176
Phone 781-665-1400
Toll Free 1-800-517-8431

 1-800-517-8431

 Visit us at www.TestEquipmentDepot.com