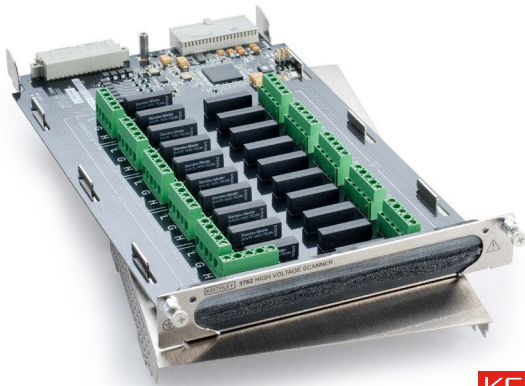
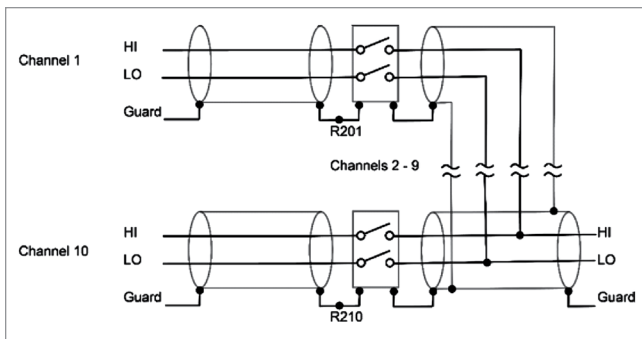


# 3762 10-Channel High Voltage Multiplexer Card



The 3762 switches voltages up to 1000 V peak or currents up to 0.5 A. The current carry capacity of each relay contact is 1 A. Two-pole relays switch both circuit HI and circuit LO for full floating measurements. A Guard input common to all channels is provided for shielding or as a guard driven by a single instrument. Guards may be isolated by removing resistors installed at each input. Multiple switched guard circuits can be achieved by removing the jumper and connecting circuit Guard to the LO input terminal. The 3760 does not connect to the 6 common buses on the 3706A backplane. Daisy chaining cards can be achieved by using an output channel.



## Specifications

Channels Per Card	10.
Contact Configuration	2 Form A with user selectable shield or driven guard.
Connector Type	Screw terminals, #16AWG maximum wire size
Relay Drive Current	80 mA per relay typ.
Maximum Switching Levels	1000 V, 0.5 A, 10 W.
Maximum Carry Current	1 A DC or RMS.
Contact Life	>10 <sup>8</sup> closures (cold switching), >10 <sup>6</sup> closures (hot switching at 1000 V, 1 mA).
Contact Resistance	<200 mΩ initial, <2 Ω for rated life.
Contact Potential	<35 μV per contact pair.
Actuation Time	<2 ms exclusive of mainframe.
Channel Isolation	>10 <sup>10</sup> Ω, <10 pF.
Differential Input Isolation	>10 <sup>9</sup> Ω, <10 pF.
Common Mode Input Isolation	>10 <sup>9</sup> Ω, <150 pF.
Common Mode Voltage	1000 V peak.
EMC	Conforms with European Union Low Voltage Directive.
Operating Environment	0° to 50°C, 70% relative humidity up to 35° C.
Storage Environment	-25° to 65° C.

