

# WÖHLER

Operating manual  
Thermal Fast Printer

EN



**Wöhler TD 100**

Best.-Nr. 22909 – 2016-09-20

Test Equipment Depot - 800.517.8431 - 99 Washington Street Melrose, MA 02176

TestEquipmentDepot.com

# Contents

<b>1</b>	<b>General Information.....</b>	<b>15</b>
1.1	Operation Manual Information.....	15
1.2	Notes.....	15
1.3	Intended Use.....	15
1.4	Components.....	15
1.5	Information on disposal.....	16
1.6	Direction.....	16
<b>2</b>	<b>Technical Data.....</b>	<b>17</b>
<b>3</b>	<b>Component explanation.....</b>	<b>18</b>
<b>4</b>	<b>Indications.....</b>	<b>19</b>
<b>5</b>	<b>Getting started.....</b>	<b>20</b>
5.1	Batteries.....	20
5.2	Paper load.....	20
<b>6</b>	<b>Self test.....</b>	<b>20</b>
<b>7</b>	<b>Operation.....</b>	<b>21</b>
7.1	Power on and off.....	21
7.2	Receiving data and printing.....	21
7.3	Feed paper.....	21
<b>8</b>	<b>Auto power off.....</b>	<b>21</b>
<b>9</b>	<b>Troubleshooting.....</b>	<b>22</b>
<b>10</b>	<b>Maintenance.....</b>	<b>23</b>
<b>11</b>	<b>Accessories.....</b>	<b>23</b>
<b>12</b>	<b>Service.....</b>	<b>24</b>
12.2	Service.....	24
<b>13</b>	<b>Declaration of conformity.....</b>	<b>24</b>

## 1 General Information

- 1.1 Operation Manual Information** This operation manual allows you to work safely with the Wöhler TD 100 Thermoprinter. Please keep this manual for your information.
- The Wöhler TD 100 Thermoprinter should be employed by professionals for its intended use only. Liability is void for any damages caused by not following this manual.

### 1.2 Notes



#### **WARNING!**

Not following this warning can cause injury or death.



#### **ATTENTION!**

Not following this note can cause permanent damage to the device.



#### **NOTE!**

*Useful information*

### 1.3 Intended Use

The Wöhler TD 100 Thermoprinter allows the user to obtain a hard copy of information held on their measuring device by utilizing the infrared communication

### 1.4 Components

Device	Components
Wöhler TD 100	Thermoprinter
	1 paper roll
	4 x 1.5 AAA size battery

**1.5 Information on disposal**



Electronic equipment does not belong into domestic waste, but must be disposed in accordance with the applicable statutory provisions.

You may hand in any defective batteries taken out of the unit to our company as well as to recycling places of public disposal systems or to selling points of new batteries or storage batteries.



**1.6 Direction**

**Wöhler Technik GmbH**

Schützenstr. 41

33181 Bad Wünnenberg

Tel.: +49 2953 73-100

Fax: +49 2953 73-250

E-Mail: [info@woehler.com](mailto:info@woehler.com)

## 2 Technical Data

EN

Description	Data
Paper	Thermopaper
Interface	IR
Batteries	4 batteries 1,5 V type AA
Current Consumption	Online: typ. 1,5 A, Sleep: typ. 26 mA Power off: < 5 $\mu$ A
Operating Temperature	0 °C to 50°C
Rel. Humidity	10 % to 80 %, non condensing
Dimensions	150 mm x 80 mm x 45 mm
Weight	ca. 420 g with paper

### 3 Component explanation

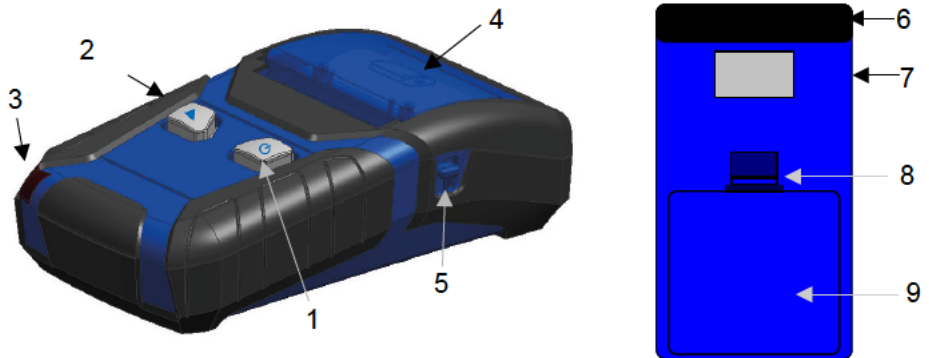


Fig. 1 Overview

#### Front view

- 1 POWER button with LED  
green shining: Printer is online  
green flashing: The printer is receiving data  
red flashing: Battery empty  
red blinking. Battery flashing or overheating

- 2 Paper load
- 3 IR interface
- 4 Paper compartment cover

#### Side view

- 5 Lever to open the paper compartment

#### Bottom

- 6 Magnet for fixing the printer
- 7 Identification label
- 8 Snap closure for the battery compartment
- 9 Cover of the battery compartment

## 4 Indications

EN



### **WARNING!**

Depending on the use, the print head may be hot. Do not touch the print head! Danger of burning! Do not bring temperature sensitive objects near to the print head.



### **ATTENTION!**

A secure operation will not be possible, if the printer case is damaged or water has penetrated.

## 5 Getting started

### 5.1 Batteries

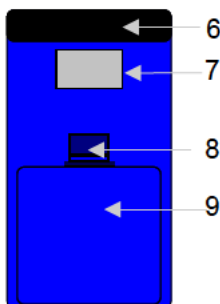


Fig. 4: Bottom of the printer

- Open the battery compartment at the bottom of the printer by pulling the lever (8) and removing the battery cover (9) at the same time.



#### NOTE!

*Pull the lever strongly. The safe closure guarantees that the battery compartment will not open accidentally.*

- Insert 4 AA batteries. Observe the polarity indicated on the bottom of the battery compartment.



#### NOTE!

*Remove the batteries, if you intend not to use the printer for a certain time.*



#### NOTE!

*When the battery voltage gets too low to support the printing, the red LED light blinks. In this case change the four batteries.*

### 5.2 Paper load



Fig. 2: Paper compartment open

- Open the paper compartment by pulling down the lever at the right side of the printer (Fig. 1, part 5).
- Put the cover of the paper compartment in a vertical position (Fig. 1, part 4).
- Insert the paper roll as indicated in the bottom of the paper compartment.
- Pull the end of the paper roll out of the paper compartment and close the cover.



#### NOTE!

*The cover must audibly engage.*

## 6 Self test

- Hold down the FEED PAPER button (▲) and then press the POWER button.

The printer will run a self test and print out all fonts, the audio sleep status, the serial number (SN) and the firmware version, battery voltage.



## 7 Operation

- 7.1 **Power on and off**
- Press the POWER button to turn the printer on and off. The POWER button shines green when the power is on.

- 7.2 **Receiving data and printing**
- You can now start to send the data from the measurement instrument to the printer.
- Place the printer with the IR receiver (3) toward the transmitting instrument.

**NOTE!**

*The distance between the transmitting instrument and the printer should be 0,30 m approx. and the angle should not exceed  $\pm 15^\circ$ . Take care that there is no object between the printer and the transmitting instrument.*

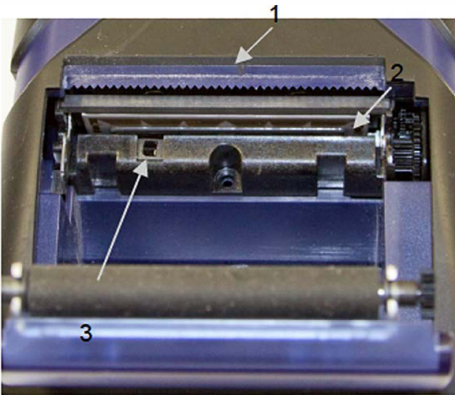
- 7.3 **Feed paper**
- When the printer is switched on, press the FEED PAPER button (▲) to feed the paper.
  - For continuously feeding paper, just hold down the FEED PAPER button (▲).
- 7.4 **Tearing off the paper**
- Tear off the paper carefully from the left to the right.

- 8 **Auto power off**
- The printer turns off automatically after 10 minutes inactivity.
- The auto sleep default is ON.
- To switch off or activate again this function, hold down "POWER" button for around 3 seconds while power is on.
- In the mean time, it prints out the status.

## 9 Troubleshooting

Problem	Possible reason	Solution
The red LED (3) is flashing or shining.	Battery voltage is too low.	Insert new batteries.
	The temperature of the printer is too high.	Switch off the printer until it has cooled down to a normal temperature.
The printer seems to print, the paper is fed forward but without lettering.	The paper is inserted back to front. Only one side can be printed.	Insert the paper correctly. The thermosensitive side of the paper is outside.
The printer cannot be switched on.	There are no batteries or batteries are empty.	Insert new batteries.
After starting the printer, the LED only blinks shortly.	--- Batteries are empty or of bad quality.	Insert high quality batteries.
The battery feed operates correctly, but the self test not.		
The printer only prints a few letters in a line.		
The printer prints bars instead of letters.	<p>1. Information is lost because the printer cannot print fast enough to keep up with the incoming data.</p> <p>2. The printer has detected incorrect data due to interference with or interruption to the incoming information.</p> <p>Common causes for this error include</p> <p>incorrect positioning of the printer with reference to the instrument (distance or angle of operation),</p> <p>obstruction of the infrared signal or even interference from another infrared emitting source.</p>	Place the printer near to the transmitting instrument and take care that there is no object between the printer and the transmitting instrument.

## 10 Maintenance



1 paper tear-off bar

2 print head

3 paper sensor

Periodically and after a long print, it may be necessary to clean the print head, the paper sensor and the platen roll.

- Open the cover of the paper compartment and remove the paper.
- Loosen dirt particles at the paper sensor and tear of bar with a small soft brush.
- Soak a Q-tip in isopropanol (IPA) and gently clean the print head.



### ATTENTION!

Never use sharp objects for cleaning. This might cause damage to the print head.

## 11 Accessories

Thermopaper, 57 mm, 10 rolls

part n° 4145

Service

## 12 Service

Test Equipment Depot - 800.517.8431 - 99 Washington Street Melrose, MA 02176  
TestEquipmentDepot.com

## 13 Declaration of conformity

The product

**product name: Wöhler TD 100 Thermal Printer**

complies with the key safety requirements set down in the guidelines of the Council for the Harmonization of the Legal Requirements of the Member States in relation to the electromagnetic compatibility.

The following standards were availed of to evaluate the product in respect of the electromagnetic compatibility:

EN 55022 1998

EN 55024 2003

