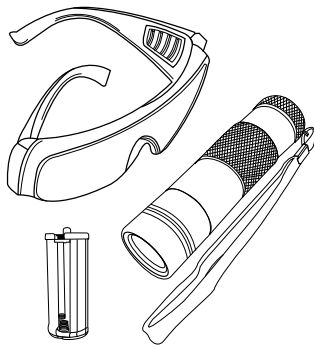




Mastercool[®]
"World Class Quality"



MINI UV FLASHLIGHT



WARNING



Wear safety glasses. (User and bystanders)

Battery Life: 5 hrs continuous leak detection

UV LIGHT INSTRUCTIONS:

1. Add dye to the system following dye injection instructions.
2. Disconnect injector from the system and clean any excess dye left around the service port.
3. Turn Engine and A/C system on.
4. Allow dye to circulate throughout system.
5. Turn on UV light
6. WEAR PROTECTIVE GLASSES!!
7. Search for a bright green/yellow glow where the system is leaking. Clean the area around leak after repair.

⚠ **WARNING:** This product can expose you to chemicals including Di (2-ethylhexyl) phthalate, which is known to the State of California to cause birth defects or other reproductive harm. For more information go to www.P65Warnings.ca.gov.

**Test Equipment
Depot**

1-800-517-8431

99 Washington Street
Melrose, MA 02176
Phone 781-665-1400
Toll Free 1-800-517-8431



Visit us at www.TestEquipmentDepot.com