

RECHARGEABLE UV FLASHLIGHT

Test Equipment Depot - 800.517.8431
99 Washington Street, Melrose, MA 02176
TestEquipmentDepot.com



WARNING

- WEAR SAFETY GLASSES
- DO NOT LOOK DIRECTLY INTO UV LIGHT
- DO NOT OPERATE WITH A LOW BATTERY
- NEVER STORE BATTERIES INSIDE YOUR CAR IN EXTREME TEMPERATURES, EXTREME TEMPERATURE COULD IGNITE FIRE.
- STORE BATTERY AT ROOM TEMPERATURE BETWEEN 40 AND 80°F FOR BEST RESULTS.
- ULTIMATE DISPOSAL OF THIS PRODUCT SHOULD BE HANDLED ACCORDING TO ALL NATIONAL LAWS AND REGULATIONS

UV LIGHT INSTRUCTIONS:

NOTE: Twist the handle to zoom the UV light in or out

1. Add dye to the system following dye injection instructions.
2. Disconnect injector from the system and clean any excess dye left around the service port.
3. Turn Engine and A/C system on.
4. Allow dye to circulate throughout system.
5. Turn on UV light
6. WEAR PROTECTIVE GLASSES!!
7. Search for a bright green/yellow glow where the system is leaking. Clean the area around leak after repair.

CHARGING & REPLACING BATTERIES

NOTE: The lithium li-ion battery will need to be charged prior to use.

NOTE: When replacing all batteries, be sure the cartridge and all batteries are in the proper direction.

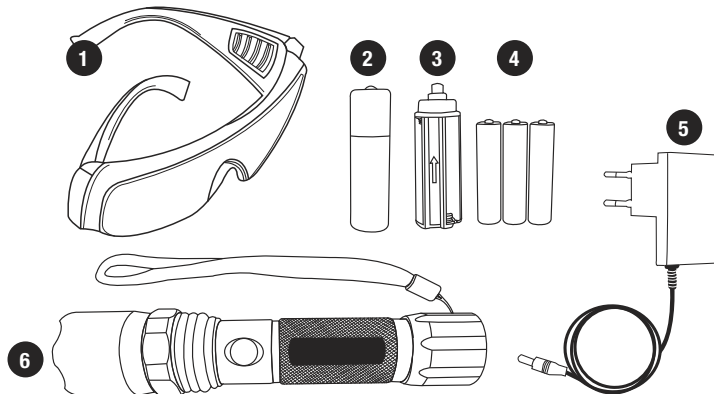
Battery Installation:

- Unscrew the bottom cap counter-clockwise and insert positive pole of battery into the flashlight casing.
- After inserting battery, plug the charging adapter into the flashlight. (The charging adapter can be plugged into the flashlight using the port which is located behind the rubber grommet on the opposite side of the power switch.)
- Then plug the charger into the voltage source for charging.
- Charging the Lithium Li-ion battery can take 5 to 6 hours. When the light turns green, the unit is charged. Unplug the adapter in a timely manner to prevent overcharging and to preserve the life of the battery.

SPECIFICATIONS:

- High Intensity LED
- 154 - 170 $\mu\text{W}/\text{cm}^2$ which is compatible to a 50 watt UV flashlight
- Battery Life: 3 to 5 hours continuous leak detection
- Battery: Lithium Li-ion, full discharge and cut-off discharge of 4.2V and 2.75V
- 53518-UV includes 110V charger
- 53518-UV-220 includes 220V charger

PARTS LIST



1.	Safety Glasses
2.	Lithium Li-Ion Battery
3.	AAA Battery Holder
4.	3 AAA Batteries
5.	110V or 220V charger
6.	Rechargeable UV Flashlight