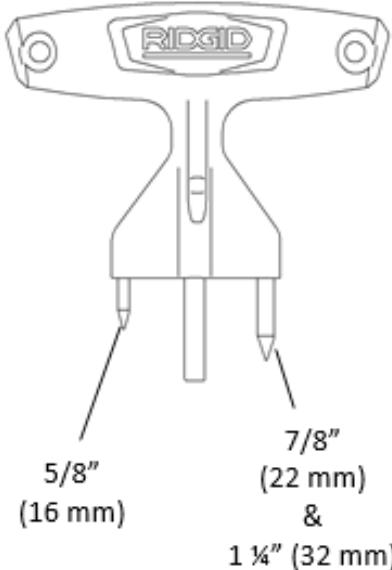
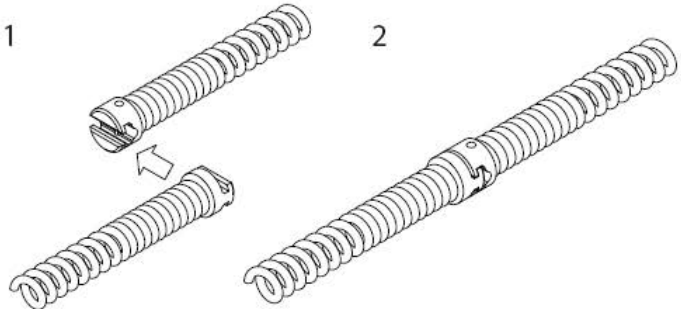


# Connecting/Disconnecting Sectional Cable Couplings

Keep couplings clean and lubricated. Plunger pin must move freely and fully extend to secure connection.

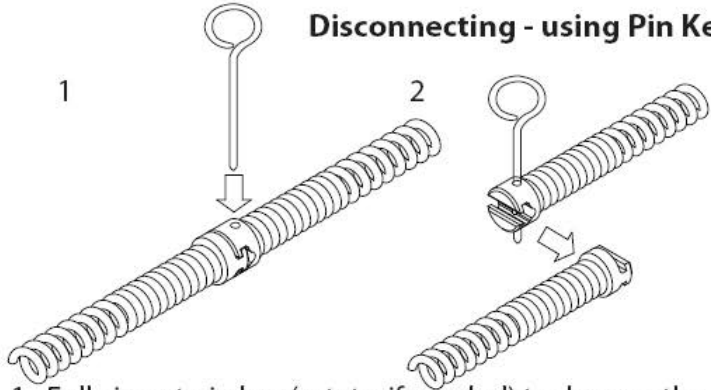


### Connecting



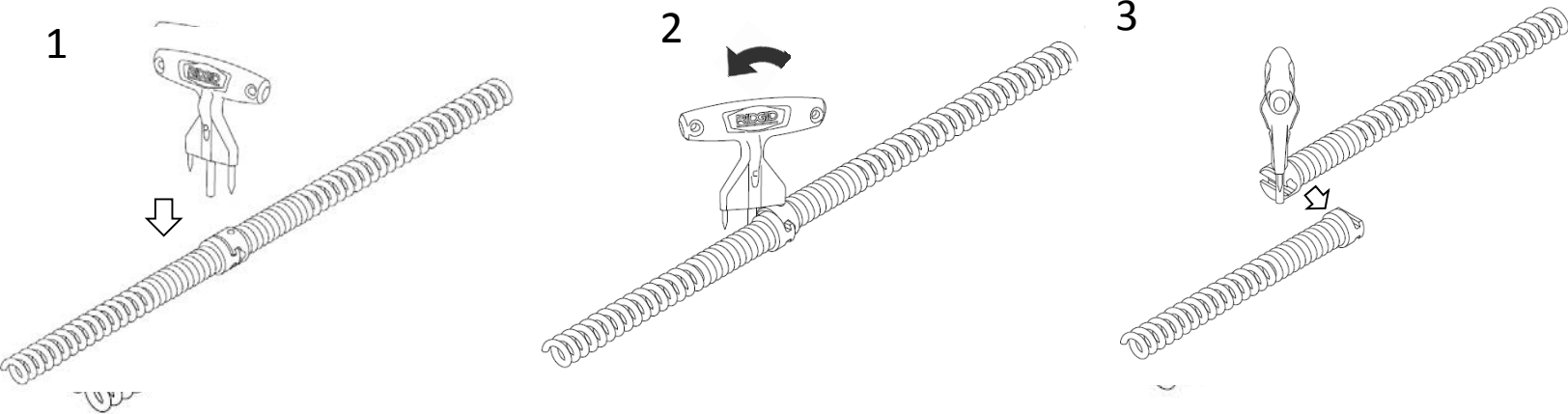
1. Slide the couplings together.
2. Confirm connection is secure. (plunger pin fully extended).

### Disconnecting - using Pin Key



1. Fully insert pin key (rotate, if needed) to depress the plunger pin.
2. Slide couplings apart.

### Disconnecting - using Decoupler



1. Fully insert decoupler (tapered end) to depress the plunger pin.
2. Rotate decoupler to contact other coupling.
3. Continue rotating decoupler to slide couplings apart.