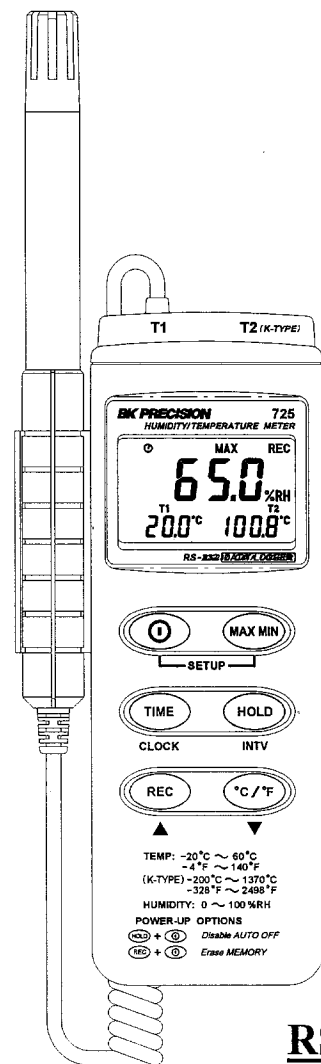


# BK PRECISION® 725

## Instruction Manual



CE

**DATALOGGER**

**HUMIDITY TEMPERATURE METER**

**RS-232**

TEST EQUIPMENT DEPOT  
99 WASHINGTON STREET  
MELROSE, MA 02176-6024  
TEL: 800 517 8431  
FAX: 781 665 0780

WWW.TESTEQUIPMENTDEPOT.COM

# CONTENTS

TITLE	PAGE
<b>I. Safety Information</b> .....	1
<b>II. Introduction</b> .....	1
<b>III. Specifications</b> .....	1
<b>IV. Symbol Definition and Button Location</b> .....	2
<b>V. Operation Instructions</b> .....	3
4.1 Power-Up.....	3
4.2 Humidity and Temperature Measurement.....	3
4.3 Connecting the Thermocouples ( T2 channel ).....	3
4.4 Selecting the Temperature Scale.....	3
4.5 Data-Hold Operation.....	3
4.6 DataLogger.....	3
4.7 Clock Setup.....	4
4.8 Recording Interval Setup.....	4
4.9 Time Operation.....	4
4.10 MAX/MIN Operation.....	4
4.11 Auto Power Off.....	5
4.12 Low Battery Condition.....	5
4.13 Digital Output.....	5
<b>VI. Setup TestLink (Humidity Temperature DataLogger)— RS232 interface software</b> .....	6
<b>Service Information</b> .....	8
<b>limited one-Year Warranty</b> .....	8

## I. Safety Information

Read the following safety information carefully before attempting to operate or service the meter. Use the meter only as specified in this manual; otherwise, the protection provided by the meter may be impaired.



### Environment conditions

- Altitude up to 2000 meters
- Relatively humidity 90% max.
- Operation Ambient 0 ~ 50°C

### Maintenance & Clearing

- Repairs or servicing not covered in this manual should only be performed by qualified personnel.
- Periodically wipe the case with a dry cloth. Do not use abrasives or solvents on this instrument.

### Safety symbols

	Comply with EMC
	Read safety Information first.

## II. Introduction:

This instrument is a digital Humidity/Temperature meter that uses a polymer capacitive and semiconductor sensor and K type thermocouple. This operation manual contains general product information and specifications. Its internal memory can keep up to 16300 readings. (note1.) It uses a RS232 interface to perform bi-directional communication with PC.

### note1:

Every time you press "REC" button to start recording data and press "REC" button again to stop recording, there will be a data set in memory, you can store as many data sets as you want until memory is full.

## III. Specifications:

**Numerical Display :** 4 digital Liquid Crystal Display.

**Measurement Range :** Humidity: 0%~100%RH

Temperature: T1: -20°C~+60°C , -4°F~+140°F

T2: -200°C~+1370°C , -328°F~+2498°F

**Resolution :** Humidity: 0.1%RH

Temperature: T1: 0.1°C , 0.1°F

T2: -200°C~200°C 0.1°C ; 200°C~1370°C 1°C

-200°F~200°F 0.1°F ; else 1°F

**Accuracy :** Humidity:±2.5%RH at 25°C

Temperature: T1: ±0.7°C, ±1.4°F

T2: Please check the following table.

at ( 23 ± 5°C )

Range	Accuracy
-200°C ~ 200°C	±(0.3% reading + 1°C)
200°C ~ 400°C	±(0.5% reading + 1°C)
400°C~1370°C	±(0.3% reading + 1°C)
-328°F ~ -200°F	±(0.5% reading + 2°F)
-200°F ~ 2498°F	±(0.3% reading + 2°F)

### Temperature Coefficient:

For ambient temperatures from 0°C ~ 18°C and 28°C ~ 50°C, for each °C ambient below 18°C or above 28°C add the following tolerance into the accuracy spec.

0.01% of reading + 0.03°C  
0.01% of reading + 0.06°F

**⚠ Note:**

The basic accuracy Specification does not include the error of the probe. Please refer to the probe accuracy specification for additional details.

**Response Time :** Humidity: 75 sec. In slowly moving air  
 Temperature: 40 sec. in slowly moving air (T1)

**Signal Output :** RS-232 Data Output

**Operating Environment :** 0°C~50°C, 32°F~122°F 0 to 90%RH non-condensing

**Storage Environment :** -10°C~60°C, 14°F~140°F 0 to 80%RH non-condensing

**Power Requirements :** Battery: One 9V battery ; AC adapter: 9Vdc / 10mA minimum

**Plug Diameter:** 3.5 mmx1.35mm

**Battery Life :** Approx. 100hrs with alkaline battery

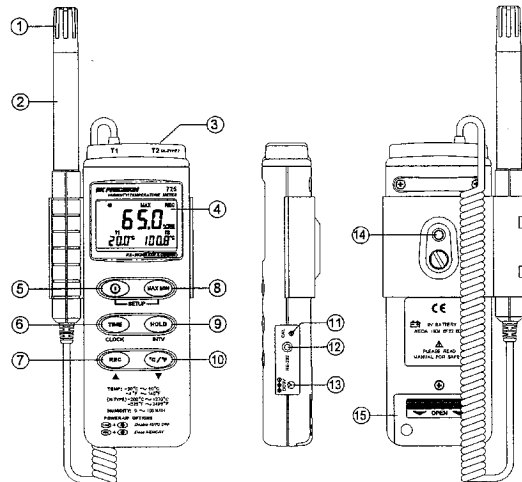
**Weight :** Approx.320g

**Dimension :** Meter = 186(L)x64(W)x30(H)mm ; 10.8(L)x2.5(W)x1.2(H)inch

Probe = 190(L)x15(D)mm ; 7.5(L)x0.6(D)inch

**Accessories :** Instruction Manual, 9V Battery, Carrying Case, Software, RS-232 Cable, Probe Holder, K type bead thermocouple probe.

**IV. Symbol Definition and Button Location:**



**Button Location:**

- ① Dust mask
- ② Sensor probe
- ③ T2 channel, "K" type thermocouple probe input
- ④ LCD display
- ⑤ ON/OFF button
- ⑥ Time display button
- ⑦ Record control button
- ⑧ MAX MIN function control button
- ⑨ HOLD button
- ⑩ °C, °F control button
- ⑪ K type offset calibration screw
- ⑫ Digital output connector (RS-232)
- ⑬ AC power adapter connector
- ⑭ Tripod connector
- ⑮ Battery cabinet cover

°C/°F : Centigrade and Fahrenheit indication.

%RH : Relative Humidity indication.

MAX : The Maximum value is now being displayed

MIN : The Minimum value is now being displayed

⏻ : This indicates auto power off is enabled.

⏸ : This indicates that the display data is being held.

m-d : month and day

h:m : hour and minute

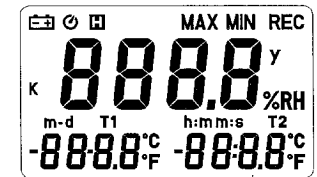
m:s : minute and second

Y : year

🔋 : The Battery is not sufficient for proper operation.

REC : This indicates that the tester is recording. If it blinks, it indicates the memory is full.

K : Thermocouple type indication.

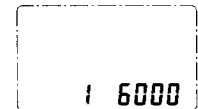


**V. Operation Instructions:**

**4.1 Power-Up**

Press the power button to turn the Humidity Temperature Meter ON or OFF.

When powered on, the LCD will show how much memory space is available to use.



**For example:** It indicates that there are 16,000 records memory space available.

**4.2 Humidity and Temperature Measurement**

For measurement, place the sensor probe in the test environment.

**4.3 Connection of the Thermocouples ( T2 channel )**

For measurement, plug the thermocouple probe into the input connector.

**4.4 Selecting the Temperature Scale**

When the meter is first powered on, the default scale setting is set at Celsius (°C) scale. The user may change it to Fahrenheit (°F) by pressing " °C/°F " button and vice versa to Celsius. Next time you power on, the scale setting will be the same as which when you powered off last time.

**4.5 Data-Hold Operation**

The user may hold the present reading and keep it on the display by pressing the "HOLD" button. When the held data is no longer needed, one may release the data-hold operation by pressing "HOLD" button again.

When the meter is under Data Hold operation, the "MAX MIN" and " °C/°F " button are disabled. (when you press " °C/°F " and "MAX MIN" button in HOLD mode, there will be two continuous beeps)

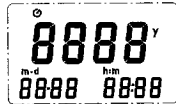
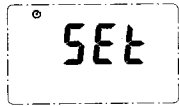
To exit the MAX/MIN mode, one may press and hold "MAX MIN" button for two seconds.

**4.6 Data Logger**

When pressing the "REC" button, the meter will start recording, press the "REC" button again will stop recording, If you want to clear the memory, power off the meter, then press and hold "REC" button and then press power button, then release all buttons ,then LCD will show "CLR" to clear the memory.

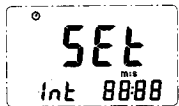


4.7 Clock Setup



- 1: press and hold "MAX MIN" button and then power on the meter:
- 2: press "TIME"(clock):
- 3: press "REC" ▲ or "°C/°F" ▼ to increase or decrease number, press "TIME"(clock) to adjust next item. The adjusting order is year→month→day→hour→minute, then press "TIME" (clock) to finish adjusting. If you want abort during a setup process, press power button to cancel.

4.8 Recording Interval Setup :



- 1: press and hold "MAX MIN" button and then power on the meter:
- 2: press "HOLD"(INTV)
- 3: press "REC" ▲ or "°C/°F" ▼ to increase or decrease number, press "HOLD" (INTV) to adjust next item, then press "HOLD" (INTV) to finish. If you want to abort during a setup process, press power button to cancel.

4.9 Time Operation:

When pressing the "TIME" button, the LCD will display time , it will show year on top of the LCD, show month and day on the left bottom of the LCD, show hour and minute on the right bottom of the LCD. Press "TIME" button or any other button to exit this mode. This operation will not interrupt the recording and "MAX MIN" operation.

4.10 MAX/MIN Operation:

When pressing the "MAX MIN" button the meter will enter the MAX/MIN mode. Under this mode the maximum value / minimum value is kept in the memory simultaneously and updated with every new data point.

When the MAX symbol is display, the Maximum is shown on the display. Press "MAX MIN" again, then the MIN symbol is on the display and the minimum reading is displayed. Press "MAX MIN" again, MAX, and MIN will blink together. This means that all data is updated in the memory and the reading is the present temperature. One may press "MAX MIN" to circulate the display mode among these options. When the meter is under "MAX MIN" operation, " °C/°F " button are disabled.(when you press " °C/°F " button in "MAX MIN" mode, there will be two continuous beep) To exit the MAX/MIN mode, one may press and hold "MAX MIN" for two seconds.

4.11 Auto Power Off:

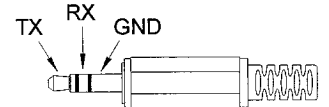
By default, when the meter is powered on, it is under auto power off mode. The meter will power itself off after 30 minutes if no key operation and no RS232 communication and no recording. Combination at power on can disable auto power off. One may press and hold "HOLD" button and then power on the meter and there will be two successive beeps to indicate that auto power off is disabled and the will not show up.

4.12 Low Battery Condition

When the battery voltage is under proper operation requirements, the symbol will show on the LCD and the battery needs to be replaced with a new one.

4.13 Digital Output:

The Digital Output is a 9600bps N 81 serial interface.



**WARNING!**

1. Don't touch or manipulate the sensor.
2. Don't expose the sensor to direct light , this causes a false reading.
3. Don't expose the sensor to static electricity.

Appendix: Thermo couple probe specification

Model	Range	Tolerances	Description
TP-K01	-50°C to 200°C	±2.2°C or ±0.75%	with Teflon tape insulation Maximum insulating temperature : 260°C
Bead probe	-58°F to 392°F	(±3.6°F or ±0.75%)	

TP-K01:

probe for general condition measurements, especially for complex and hard to reach places.



**VI. Setup TestLink (Humidity DataLogger)—RS232 interface software:**

- The TestLink package contains:
  1. Two 3.5" diskettes
  2. Custom designed RS232 cable for TestLink.
- System Required:
 

Windows 95 or Windows 98 or Windows NT 4.0.
- Minimum Hardware Required:
 

486-100 MHz PC compatible , or above 16 MB RAM ;  
At least 5 MB hard disk space available to install TestLink program. Recommended display resolution is 800X600 or above.
- Install TestLink:
  1. We recommend closing all other application before installing TestLink.
  2. Insert setup diskette 1 to floppy disk drive A.
  3. Choose the Start button on the Taskbar and select Run.
  4. Type A:\SETUP and choose OK, then it will copy TestLink.exe ( executable file ) and help file to your hard disk ( default is c:\program files\TestLink ).

**5-1. Run TestLink**

Select TestLink form "START" of Windows, figure 5.1 will show

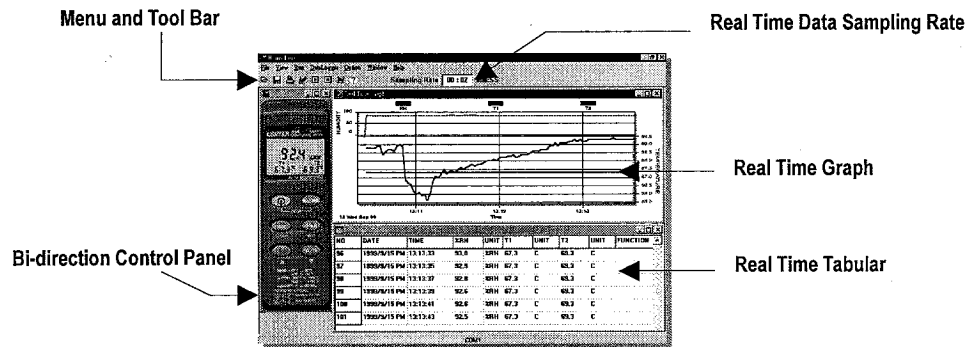



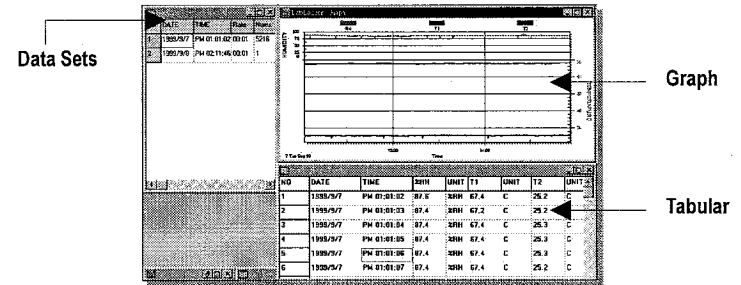
Figure 5.1

**5-2. Real Time Tabular and Real Time Graph.**

Select Run from menu or press  from the tool bar to begin real time data collection from humidity meter.  
You can change the data interval by editing the sampling rate box on the right hand side of tool bar (see figure 5.1).

**5-3. DataLogger**

Select DataLogger from menu to load recorded data for humidity mete. There will be a progress bar showing how many bytes should be loaded and how many bytes have been received. When data is loaded successfully, there will be three new window show up. (see 5-2)



Data Sets Window – Display how many data sets were loaded and the detail information for each data set (start date, start time, recording rate and data length), and you can click at any data set to choose the set for graph and tabular Window.

**5-4. For other operation instruction, please refer to the on-line help while executing TestLink.**

TEST EQUIPMENT DEPOT  
99 WASHINGTON STREET  
MELROSE, MA 02176-6024  
TEL: 800 517 8431  
FAX: 781 665 0780

WWW.TESTEQUIPMENTDEPOT.COM

## Service Information

**Warranty Service:** Please return the product in the original packaging with proof of purchase to the below address. Clearly state in writing the performance problem and return any leads, connectors and accessories that you are using with the device.

**Non-Warranty Service:** Return the product in the original packaging to the below address. Clearly state in writing the performance problem and return any leads, connectors and accessories that you are using with the device. Customers not on open account must include payment in the form of a money order or credit card. For the most current repair charges contact the factory before shipping the product.

Return all merchandise to B&K Precision Corp. with pre-paid shipping. The flat-rate repair charge includes return shipping to locations in North America. For overnight shipments and non-North America shipping fees contact B&K Precision Corp..

B&K Precision Corp.  
1031 Segovia Circle  
Placentia, CA 92870  
Phone: 714- 237-9220  
Facsimile: 714-237-9214  
Email: service@bkprecision.com

Include with the instrument your complete return shipping address, contact name, phone number and description of problem.

## Limited one-Year Warranty

B&K Precision Corp. warrants to the original purchaser that its product and the component parts thereof, will be free from defects in workmanship and materials for a period of one years from the data of purchase.

B&K Precision Corp. will, without charge, repair or replace, at its' option, defective product or component parts. Returned product must be accompanied by proof of the purchase date in the form a sales receipt.

To obtain warranty coverage in the U.S.A., this product must be registered by completing and mailing the enclosed warranty card to B&K Precision Corp., 1031 Segovia Circle, Placentia, CA 92870 within fifteen (15) days from proof of purchase.

### Exclusions:

**This warranty does not apply in the event of misuse or abuse of the product or as a result of unauthorized alternations or repairs. It is void if the serial number is alternated, defaced or removed.**

B&K Precision Corp. shall not be liable for any consequential damages, including without limitation damages resulting from loss of use. Some states do not allow limitation of incidental or consequential damages, so the above limitation or exclusion may not apply to you.

This warranty gives you specific rights and you may have other rights, which vary from state-to-state.

Model Number: \_\_\_\_\_ Date Purchased: \_\_\_\_\_