

LIMITED 1 YEAR WARRANTY

We make every effort to assure that our products meet high quality and durability standards, and warrant to the original purchaser that this product is free from defects in materials and workmanship for the period of one year from the date of purchase (90 days if used as rental equipment). This warranty does not apply to damage due directly or indirectly, to misuse, abuse, negligence or accidents, repairs or alterations outside our facilities, normal wear and tear, or to lack of maintenance. We shall in no event be liable for death, injuries to persons or property, or for incidental, contingent, special or consequential damages arising from the use of our product. Some states do not allow the exclusion or limitation of incidental or consequential damages, so the above limitation of exclusion may not apply to you. THIS WARRANTY IS EXPRESSLY IN LIEU OF ALL OTHER WARRANTIES, EXPRESS OR IMPLIED, INCLUDING THE WARRANTIES OF MERCHANTABILITY AND FITNESS.

To take advantage of this warranty, the product or part must be returned to us with transportation charges prepaid. Proof of purchase date and an explanation of the complaint must accompany the merchandise. If our inspection verifies the defect, we will either repair or replace the product at our election or we may elect to refund the purchase price if we cannot readily and quickly provide you with a replacement. We will return repaired products at our expense, but if we determine there is no defect, or that the defect resulted from causes not within the scope of our warranty, then you must bear the cost of returning the product.

The warranty gives you specific legal rights and you may also have other rights which vary from state to state.

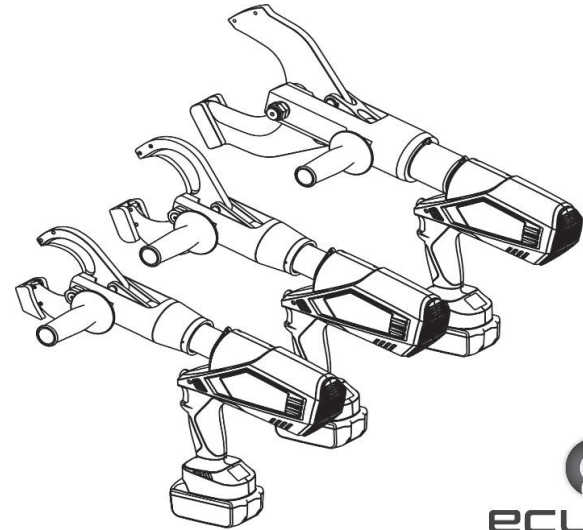


5 Commonwealth Ave
Woburn, MA 01801
Phone 781-665-1400
Toll Free 1-800-517-8431

 Visit us at www.TestEquipmentDepot.com

Instruction Manual

Battery Assisted Hydraulic Cable Cutter



Model#: 902-625

Due to continuing improvements, actual product may differ slightly from the product described here in.



Read this material before using this product.

Failure to do so can result in serious injury.

SAVE THIS MANUAL

SAVE THIS MANUAL

Keep this manual for the safety warnings and precautions, assembly, operating, inspection, maintenance and cleaning procedures. Write the month and year of purchase. Keep this manual and the receipt in a safe and dry place for future reference.

IMPORTANT SAFETY INFORMATION

In this manual, on the labeling, and all other information provided with this product:



This is the safety alert symbol. It is used to alert you to potential personal injury hazards. Obey all safety messages that follow this symbol to avoid possible injury or death.

⚠️WARNING

DANGER indicates a hazardous situation which, if not avoided, will result in death or serious injury.

⚠️DANGER

WARNING indicates a hazardous situation which, if not avoided, could result in death or serious injury.

⚠️CAUTION

CAUTION, used with the safety alert symbol, indicates a hazardous situation which, if not avoided, could result in minor or moderate injury.

in a dry environment.

- Service to the tool should only be done by a qualified Service Technician.
- In order to prolong the life of the tool please change the oil every year. Make sure the oil is filtered by 120 mesh net or over 30µm strainer. Meantime avoid getting the dust into the oil cup.
- After a long time of use, the sealing kits will be damaged, if there is leakage please contact the manufacturer to change the sealing kits.
- If the tool not is used for a long time, please make sure the piston stays in its starting position, clean up the tool and spread rustproof oil both to the tool piston and accessories. Take out the battery and put them into box and store the tool in a dry surrounding. As follows:

TROUBLESHOOTING

FAULT	ANALYSIS	SOLUTION
A. Tool is inoperative	<ol style="list-style-type: none">Dirt, contaminants, etc in ram area of tool.The battery ran outTool components worn or damaged.	<ol style="list-style-type: none">Clean hydraulic systemCharge the batteryReturn tool to manufacturer or distributor
B. No power during operation or not up to the rated power	<ol style="list-style-type: none">No oilDirt, contaminants inside of oil sac.Inner leakage	<ol style="list-style-type: none">Fill oilReturn tool to manufacturer or distributorReturn tool to manufacturer or distributor
C. Leakage on the cutting head or plunger	<ol style="list-style-type: none">Worn sealing kits	<ol style="list-style-type: none">Return tool to manufacturer or distributor
D. Running of the motor but no power output	<ol style="list-style-type: none">No oil in the oil sacAir into the hydraulic systemCold oil	<ol style="list-style-type: none">Fill or change the oilReturn tool to manufacturer or distributorUse the tool under -20°C-40°C
E. Error alarm	<ol style="list-style-type: none">No power of the battery	<ol style="list-style-type: none">The battery needs to be charged



Warning:

- 1) Do not drop or shock any part of the tool. Before operation, check the tool for any damage, aging, missing parts, misalignment or component jamming and any other unfavorable factors that endanger safety and normal operation. It works effectively without any jams. If you find any problems, stop using it immediately until the problem is solved.
- 2) The limit screw on the cutting head prevents the clamp head from falling off or popping out. Do not remove it yourself!
- 3) Remove any grease, dust, especially on the handle and control components, to prevent the tool from slipping during use.
- 4) The built-in safety valve undergoes strict pressure detection before leaving the factory, and the user must not adjust it without authorization! If you are experiencing reduced pressure, please take the tool to a qualified service technician and use it for pressure testing.

Warning: During the extension of the tool piston, do not put any part of the human body such as your fingers into the working jaws to avoid accidents!

MAINTENANCE AND SERVICING

⚠WARNING

Damaged equipment may cause serious personal injury. Do not use damaged equipment. If abnormal noise or vibration occurs, have the problem corrected before further use.

1. **Before each use**, inspect the general condition of the tool. Check for loose screws, misalignment or binding of moving parts, cracked or broken parts, or any other condition that may affect its safe operation.
2. **After using**, clean external surfaces of the tool with clean, moist, smear the rust preventing oil on the metal surface of the tool and the dies to avoid rusty. Store the tool

GENERAL SAFETY RULES

TO WORK IN SAFE CONDITIONS WITH THIS TOOL, IT IS IMPERATIVE TO READ THE DIRECTIONS CAREFULLY FOR USE AND TO FOLLOW THE INSTRUCTIONS IT CONTAINS. IF YOU DO NOT RESPECT THE INFORMATION WRITTEN IN THAT INSTRUCTION MANUAL THE WARRANTY MAY BE CANCELED.

1. Work area safety

- a. Keep work area clean and clear. Cluttered or dark areas invite accidents.
- b. This tool is not insulated; please do not use it on live conductors.
- c. Please do not use or store the tool under high temperature, or in an environment filled with corrosive fluid/gas. Pay attention to the sealing kits becoming worn.
- d. Keep children and bystanders away while operating the battery powered cutting tool. Distractions may cause you to lose control.
- e. Do not use or charge the tool around flammable, explosive environments.

2. Electrical safety

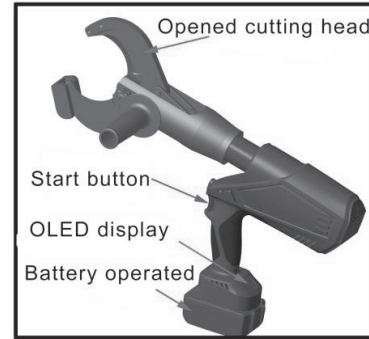
- f. Make sure the plug matches with the plug outlet. Never make any changes to the plug.
- g. Do not put tool, battery and charger in rainy or humid surroundings, it is easy to trigger an electric shock accident if any water goes into the electric system of the tool.
- h. Do not use electric wire to carry, pull, or to pull out the plug and do not cross the “-” and “+” conductors, damaged or twisted wire may cause an electric shock accident.
- i. If the charger was strongly shocked, or dropped or any other damages happen, please do not try to repair it by yourself, send it back to the authorized service center as soon as possible. The damaged charger may cause an electric shock.
- j. The best temperature for charging is between 10°C-40°C. Make sure the vent holes of the battery and charger are uncovered during charging.

- k. Please shut off the power of the charger each time to reduce potential hazard for children or the people who are not expert with the tool.
- l. Do not wait until the battery runs over for recharging, the recharging will cause the battery to not work anymore. Please keep the battery out of the tool to avoid the power discharge when not being used.
- m. Please do not burn the battery or make it short-circuit, it may cause explosion.
- n. Do not use the wasted battery otherwise it will cause the electric shock.
- o. Do not disassemble the battery and charger. If any problem occurs, please contact the manufacturer or distributor you purchased it from.

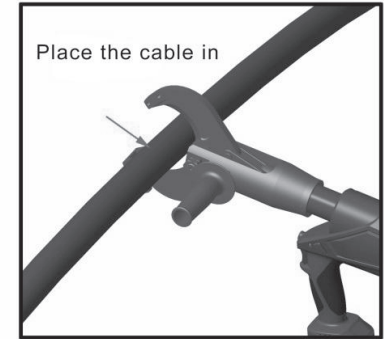
3. Personal safety

- p. Stay alert, watch what you are doing and use common sense when operating the tool. Do not use the tool while you are tired or still under the influence of drugs, alcohol or medication. A moment of inattention may result in series personal injury.
- q. Use safety equipment. Always use safety equipment such as mask, helmet, safety cap, insulating shoes etc., to reduce the risk of personal injury.
- r. Dress properly. Do not wear loose clothing or jewelry. Keep your hair, clothing and gloves away from moving parts. Loose clothes jewelry or long hair can be caught in moving parts.
- s. Maintain power tools. Check for misalignment or binding of moving parts, breakage of parts and any other condition that may affect the tool operation. If damaged, have the tool repaired before use. Many accidents are caused by poorly maintained power tools.
- t. Please use the tool properly, the tool with correct power will do the job better and safer at the rate for which it was designed.
- u. Do not put your fingers into the head of the tool during operating. Your fingers could be pinched, or severed.

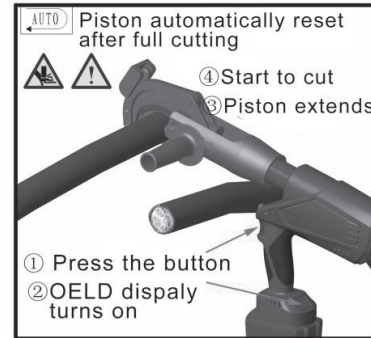
3. Cutting operation



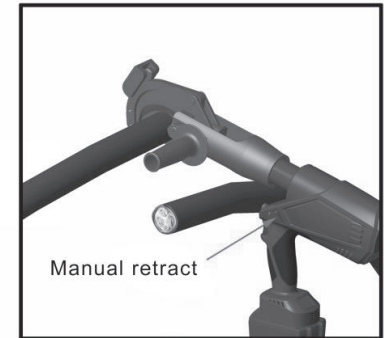
1.



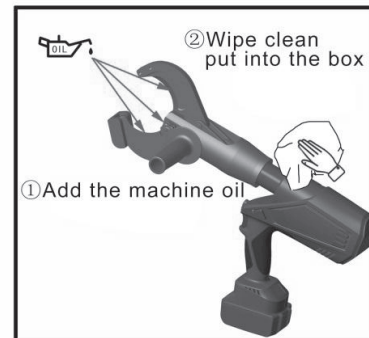
2.



3.



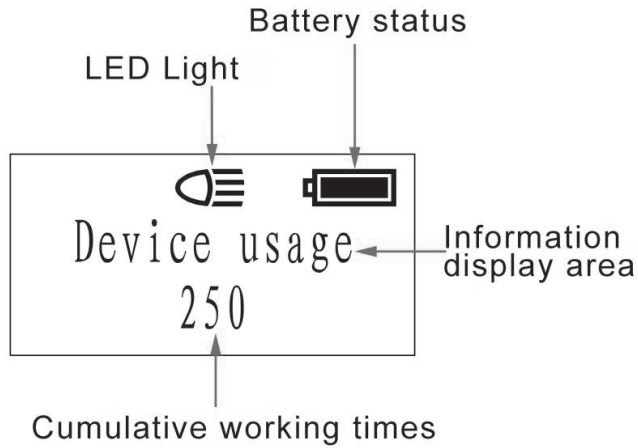
4.



5.

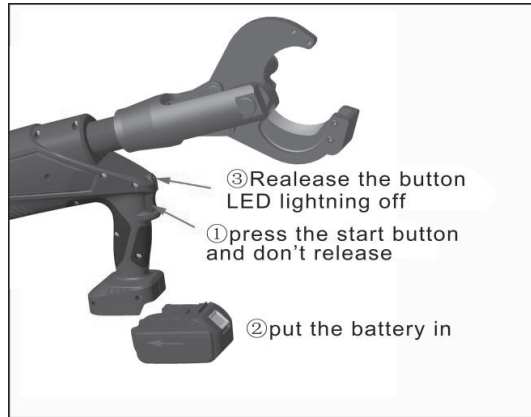
2. Usage of the tool

OLED display interface description:



Tool LED illuminator:
After clicking the start button, the LED illuminator lights up. After the tool is released, the button will automatically turn off after a delay of 20 seconds. Press the start button before installing the battery. When the battery is installed,

release the start button and the LED light is off. If the light is on, the battery must be reinstalled once. As shown in the figure.



4. Service

Have your Battery Cutting Tool serviced by a qualified service technician using only identical replacement parts. This will ensure that the safety of the Battery Cutting Tool Kit is maintained.

SPECIFIC SAFETY RULES

- 1) Maintain labels and nameplates on the tool which carry important safety information. If unreadable or missing, contact the agent to replace.
- 2) This product is not a toy, keep it out of reach of children.
- 3) Do not put your fingers into the head of the tool during operating. Your fingers could be pinched or severed.
- 4) Make sure the head is locked firmly during operation.
- 5) Do not use the tool without blade
- 6) Do not cut live cables or conductors
- 7) Do not drop or shock any parts of the tool, otherwise it may cause injury.
- 8) The design of the limit screw on the head is for preventing the head from dropping or popping.
- 9) Do not use this tool for extended continuous use. After 30 to 40 cycles, allow the tool to cool for 15 minutes.
- 10) Do not secure this tool in a vise. This tool is designed for hand-held operation.
- 11) The built-in safety valve goes through strict pressure test before sale; please do not adjust the pressure yourself. If the pressure is not sufficient please return the tool back to the service center. The tool only can be reused after checking and testing by trained personnel.
- 12) The warnings, precautions, and instructions discussed in this instruction manual cannot cover all possible conditions and situations that may occur. It must be understood by the operator that common sense and caution are factors which cannot be built into this product but must be supplied by the operator.

UNDERSTAND YOUR TOOL

902-625 is for cutting Cu/Al cable and armored cable. It is powered by Li-ion, actuated controlled by MCU. With a high-pressure hydraulic system, and longer life, power-saving OLED light, LCD, error warning alarm, pressure display, etc. function, it is a perfect tool to be used on electrical construction sites.

1. Specification

Item No.	902-625
Max. cutting force:	140KN/14.3Tons
Cutting range (diameter):	105mm (4 inches)
	(Cu/Al cable and armored cable)
Stroke:	70mm (2.7 inch)
Hydraulic oil:	Shell Tellus T15# S2V HVI 5
Oil Capacity:	250ml (8.5 ounces)
Size of tool	613x102x398mm (24.1x4.0x15.6 inches)
Ambient temperature	-10-40°C (14 – 104°F)
Voltage of battery:	DC 18V, 5.0Ah Li-ion
Charging voltage:	AC 100V~240V ;50~60Hz
Charging time:	Approx. 100 minutes
Accessories:	
Battery:	2 pcs
Charger:	1 pc

⚠ CAUTION

- 1) The battery can be used for hundreds of times, when the life span expires, change to a new battery.
- 2) Please charge the battery in time to avoid it to be used up completely; otherwise it will become useless forever. If the battery is not be used for a long time, it will discharge automatically. Make sure to charge it one time per/quarter.
- 3) Do not connect the two poles of the battery with a wire, which is likely to cause electric spark, combustion or even explosion.
- 4) Do not use the damaged battery or charge it, or it will increase the risk of electric shock.
- 5) Under no circumstances should batteries be burned, or they may explode.
- 6) When charging the battery, do not cover the charger with any object, so that the charger cannot dissipate heat, which is likely to cause a fire.
- 7) Disconnect the charger when not in use. It will reduce the risk of injury to children and untrained personnel.
- 8) Do not use the charger in a humid environment, and do not expose to rain and snow, or it will increase the risk of electric shock.
- 9) Do not disassemble the battery and/or charger without permission. If there is any fault in the process of use, please send it to the professional or the manufacturer for maintenance, until the problem is solved.

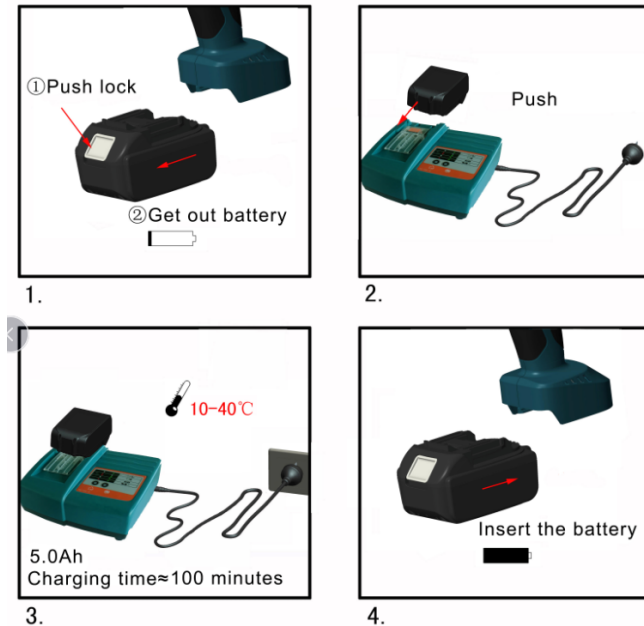
OPERATING INSTRUCTION

Read the entire **SAFETY INFORMATION** section at the beginning of this manual including all text under subheadings therein before using this product.

Use this tool for the manufacturer's intended purpose only. Use other than that which is described in this manual may result injury or property damage.

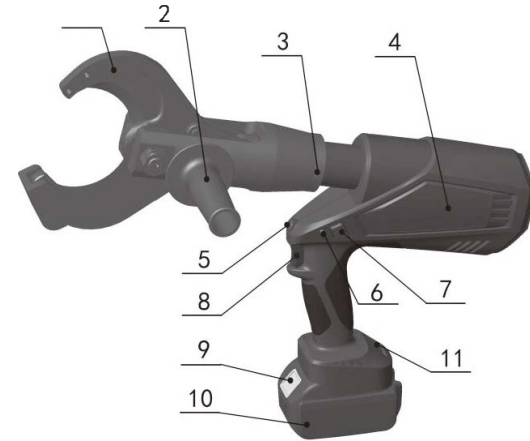
1. Charging

Push battery into charger and connect the plug with the plug outlet. Make sure the room temperature is between 10°C-40°C . The charging time is around 1hour. Please see the illustration below.



The detail of the charging information, please refer the manual (MANUAL FOR CHARGER)

2. Description of components:



Parts No.	Description	Function
	Blade	For cutting blade
2	Handle	For steadying
3	Limited block	For preventing head from dropping or popping
4	Label	Company logo
5	White LED	For lighting
6	Red LED	For indicating the operating condition and battery discharging situation.
7	Retract button	For manual retracting the piston in case of an mcorrect operation.
8	Start button	For starting operation
9	Battery lock	For locking/unlocking the battery.
10	Battery	For supplying power, rechargeable Li-ion (18V)
11	OLED display	Displays cutting time ,electricity, errors info

3. Function description



Microcomputer control system - automatically detects the pressure when in punching with double safety protection.



OLED display - Dot matrix OLED display, which shows crimp times, battery power, working pressure (if equipped with pressure sensor), maintenance reminder and fault code.



Auto reset- Releases the pressure automatically, retracts the piston to the starting position when the max output is reached.



Manual reset —Retracts the piston to the starting position in case of an incorrect operation.



The unit is equipped with a double piston pump which is characterized by a rapid approach of the die towards the connector and a slow cutting motion.



The head can be smoothly turned by 350° around the longitudinal axis in order to gain better access to tight corners and other difficult working areas.



If a deviation from the set operation pressure or low battery charge is identified, an acoustic signal sounds and a red display flashes.



The overall structure of the tool is compact. It is ergonomically designed with a non-slip rubber grip and an optimized center of gravity for easier operation.



A temperature sensor makes the tool stop working automatically when the temperature is over 60°C under long working times, the fault signal sounds, it means the tool cannot continue work until the temperature reduces to the normal.

Table 1 Signal Instruction and Meaning:

Series No	Instruction	LED (red)	LED (white)		OLED screen	What it means
1	Self-checking	□□ (2Hz)			Welcome	Self-checking to assure everything is ok
2	Light		Delay 20s off		Device usage 250 Timeout 5 minutes off	Enter the working state, the battery is full
3	Charging signal	□□□□ (2Hz)			Device usage 250 ↓ Low battery	Lacking power and needed charge
		□ (5ms)			Battery empty	Lacking power and needs charging.
		□ (100ms)				No power and needs charging immediately
4	High temperature warning	□□□□□ (2Hz)		⊙⊙⊙⊙ (2Hz)	Megathermal!	Motor surface temperature is too high, waiting for cooling to restart the tool
5	overload	□ (3s)			Error: 01 Motor overload	Battery reloading, recovery work interface
6	Cutting is not normal	□ (5s)		⊙ (5s)	Error: 02 Cutting is not normal	Battery reloading, recovery work interface
7	Maintenance reminder			⊙ (0.5s)	Please maintain Device usage 10001	Tools must be serviced