

AD-4328

Weighing Indicator



Expand Your Potential

AND
A&D WEIGHING
...Clearly a Better Value



AD-4328 *The Best of the*

Weighing Indicator



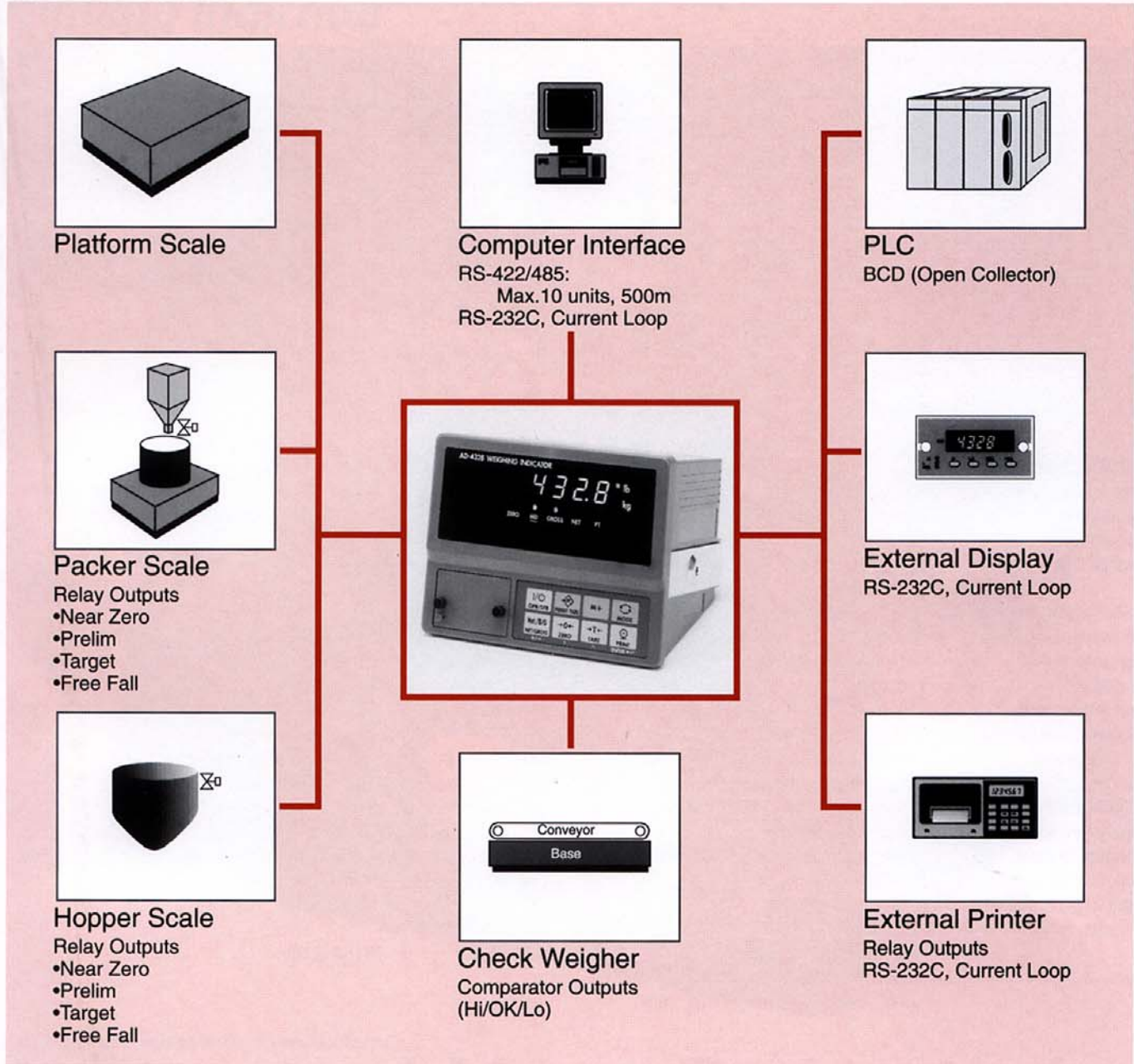
The AD-4328 provides power and flexibility at an affordable price. Performs in a wide range of applications from batching to simple weighing.

It is reliable, accurate and easy to install.

- lb/kg Switching.
- Accumulative data is stored in memory automatically or manually.
- Comparator output to optional relays (Hi/OK/Lo).
- Setpoint comparison for batching applications (Near Zero/Prelim/Target/Free Fall).
- Powered through AC adaptor or external DC (6 to 12V) power supply.
- Standard serial output for printers, external displays, etc.
- Front panel protected to IP-65.
- Powers up to 6 load cells at 350Ω.
- Gravity Compensation Function assures accurate weighing without the need for recalibration after transport.
- Optional bi-directional RS-232C, RS-422, RS-485 interfaces and BCD, relay, current loop outputs.
- Averaging time and width can be selected for various applications.
- Digitally span calibrated by entering a sensor output voltage through the keypad.
- 1/20,000 displayed count resolution.
- Mount on panel, column, stand or desk top.
- Can be controlled by external input.
- Enter predetermined tare weight from keypad.
- RFI/EMI protected.
- Meets or exceeds OIML Class III specifications (10,000d).
- An uncased version of AD-4328 is available.

Low Cost Indications

Communications

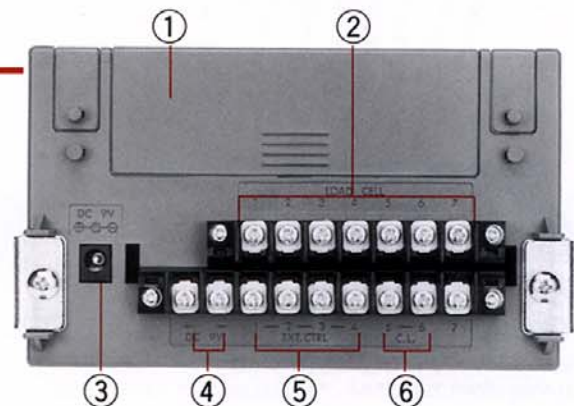


Rear Panel View

- I/O terminals are screw type for easy maintenance.
- AC/DC selectable.
- When connected to both AC & DC, priority is given to AC.
- Remote operation of front keys.

Terminal Locations

- | | |
|----------------------------------|---|
| ① Option installation | ④ DC input terminals |
| ② Load cell connection terminals | ⑤ External front panel switch control terminals |
| ③ AC adaptor connector | ⑥ Standard serial output |

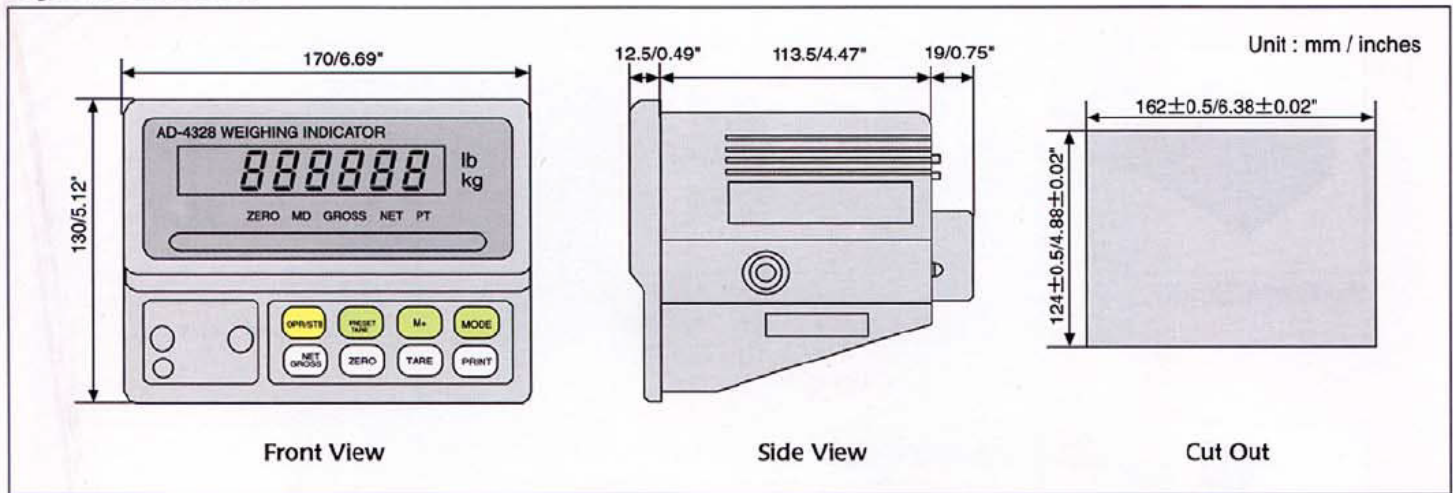


AD-4328

Weighing Indicator

Test Equipment Depot - 800.517.8431 - 5 Commonwealth Ave, Woburn, MA 01801
TestEquipmentDepot.com

Physical Dimensions



Specifications

Input Sensitivity ———— 0.2 μ /d (Min.)
Input Signal Range ———— -1mV ~ +15mV
Loadcell Excitation ———— 5V DC \pm 5%
Loadcell Drive Capacity — Up to 6 load cells at 350 Ω /load cell (Max.90mA)
Zero Temperature Coefficient — \pm (0.2 μ V+0.0008% of dead load)/ $^{\circ}$ C (typ.)
Span Temperature Coefficient — \pm 8ppm / $^{\circ}$ C of reading (typ.)
Non-Linearity ———— 0.01% of full scale
Input Noise ———— \pm 0.2 μ Vp-p
Input Impedance ———— 10M Ω \pm or more
A/D Conversion Method ——— Integrating dual-slope type
A/D Resolution ———— 40,000 counts (Max.)
A/D Conversion Rate ———— Approximately. 10 times/second
Weight Display ———— 6digits, 14.2mm / 0.56" (H) LED
Display Resolution ———— 20,000 counts (Max.)
Minimum Division ———— Times \times 1, \times 2, \times 5, \times 10, \times 20, \times 50
Maximum Display ———— 500000
Under ZERO Indication ——— '—' minus display
Annuciation ———— ZERO, MD, GROSS, NET, PRESET TARE, kg/t or kg/lb
Keys ———— STANDBY/OPERATE, NET/GROSS, PRESET TARE, ZERO, M+, TARE, MODE, PRINT

Power ———— DC 9V (AC Adaptor or direct input to the terminal)
Net Weight ———— Approximately 0.8 kg /1.8 lb
Operating Temperature ——— -10 $^{\circ}$ C ~ 40 $^{\circ}$ C (14 $^{\circ}$ F ~ 104 $^{\circ}$ F)
Storage Temperature ——— -10 $^{\circ}$ C ~ 70 $^{\circ}$ C (14 $^{\circ}$ F ~ 158 $^{\circ}$ F)
Physical Dimensions ——— 170(W) \times 126 +19" (D) \times 130(H) mm *incl. terminal cover
Panel Cut out Dimensions ——— 124 \pm 0.5 \times 162 \pm 0.5 mm
Standard Accessories ——— Manual, AC Adaptor

Options

OP-01 ——— BCD Output (Open Collector)
OP-02 ——— Comparator Output (Open Collector)
OP-03 ——— RS-422/485 with Relay Output
OP-04 ——— RS-232C/Current Loop/Relay Output
OP-10 ——— Display Stand
Only one output can be selected from OP-01, OP-02, OP-03 and OP-04. One to be chosen from RS-422 or 485.

Accessories

AC Adaptor ——— TB164 (220V)

Specifications subject to change for improvement without notice.

AND
A&D WEIGHING
...Clearly a Better Value

Test Equipment
Depot
1-800-517-8431

5 Commonwealth Ave
Woburn, MA 01801
Phone 781-665-1400
Toll Free 1-800-517-8431

Visit us at www.TestEquipmentDepot.com

*ADE-AD4328-961210-01KO1