



Three Phase Power Controller

GW INSTEK

Simply Reliable

Since 1975

ASR-002 Three Phase Power Controller



5 Commonwealth Ave
Woburn, MA 01801
Phone 781-665-1400
Toll Free 1-800-517-8431

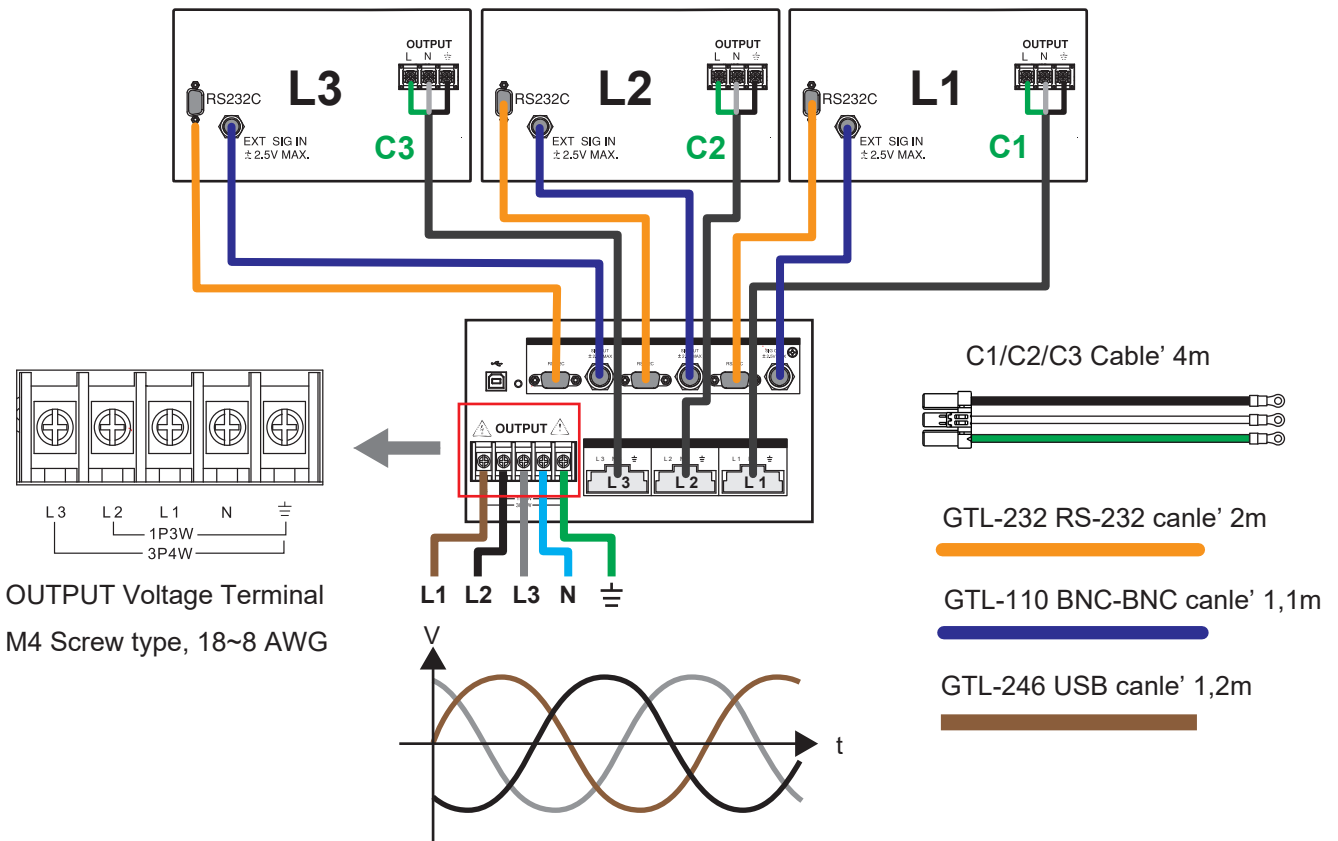
Visit us at www.TestEquipmentDepot.com



ASR-002, which is a three-phase power controller, is able to control up to 3 single-phase power supply units (ASR series only). It effectively makes AC output conformed to 1P3W/3P4W that generally unit requires, and also turns output into 3P3W via designated wire method.

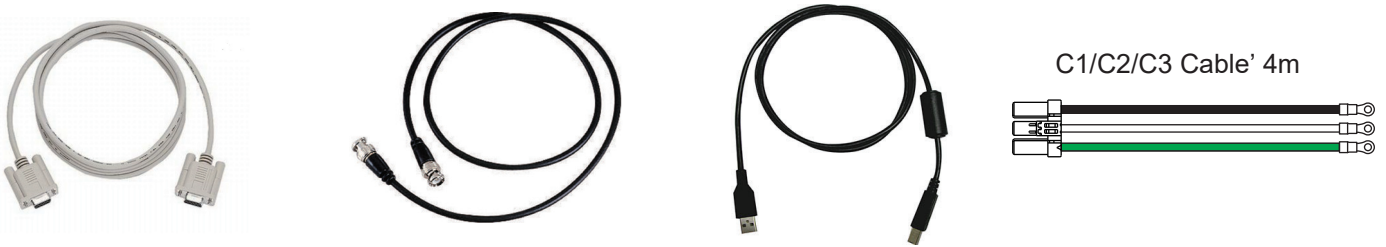
When the select single-phase power is greater than the capacity of 2kVA, it is suggested that output should be connected to the external terminal for safety consideration.

Wire Connection Image

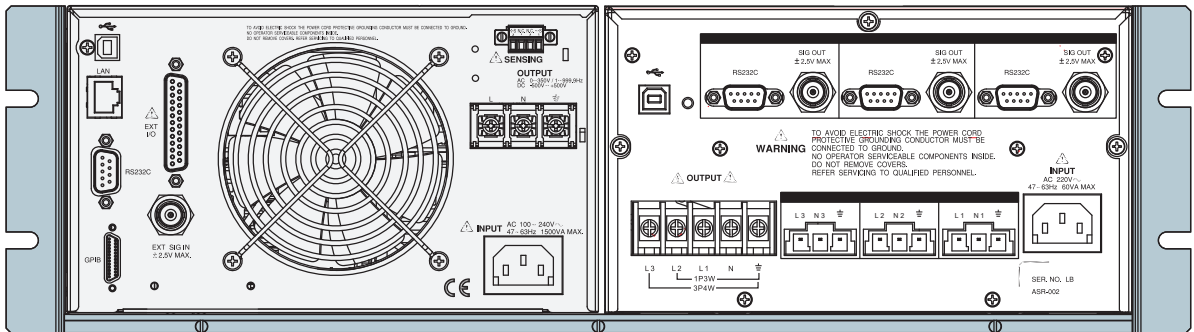
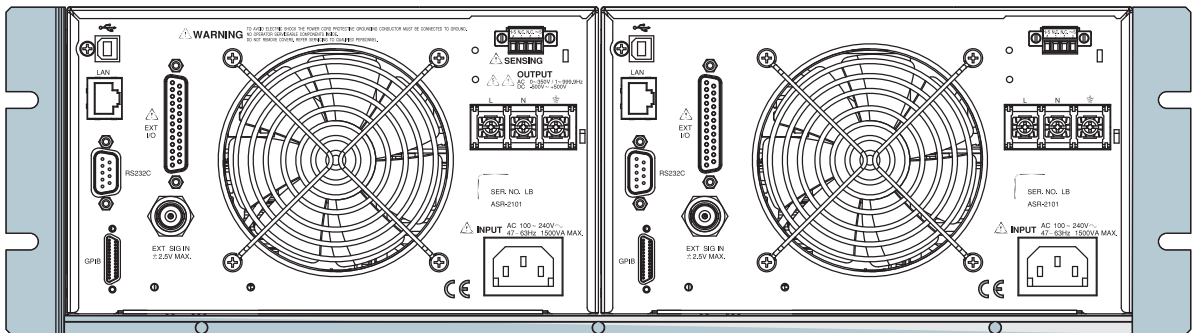
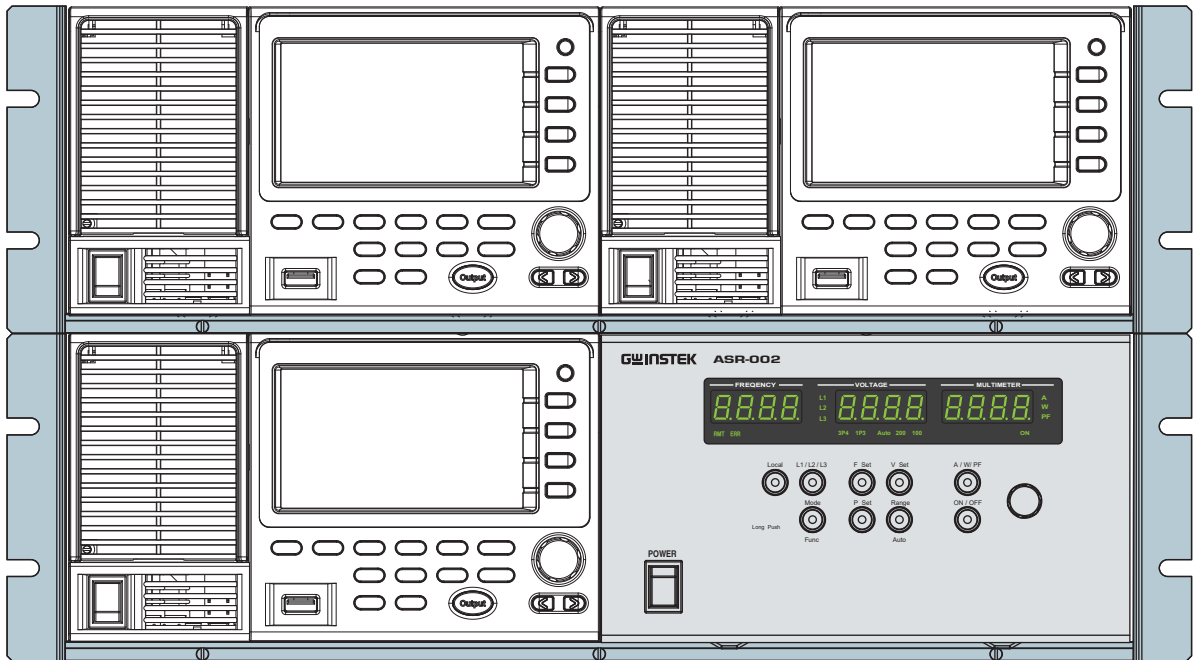


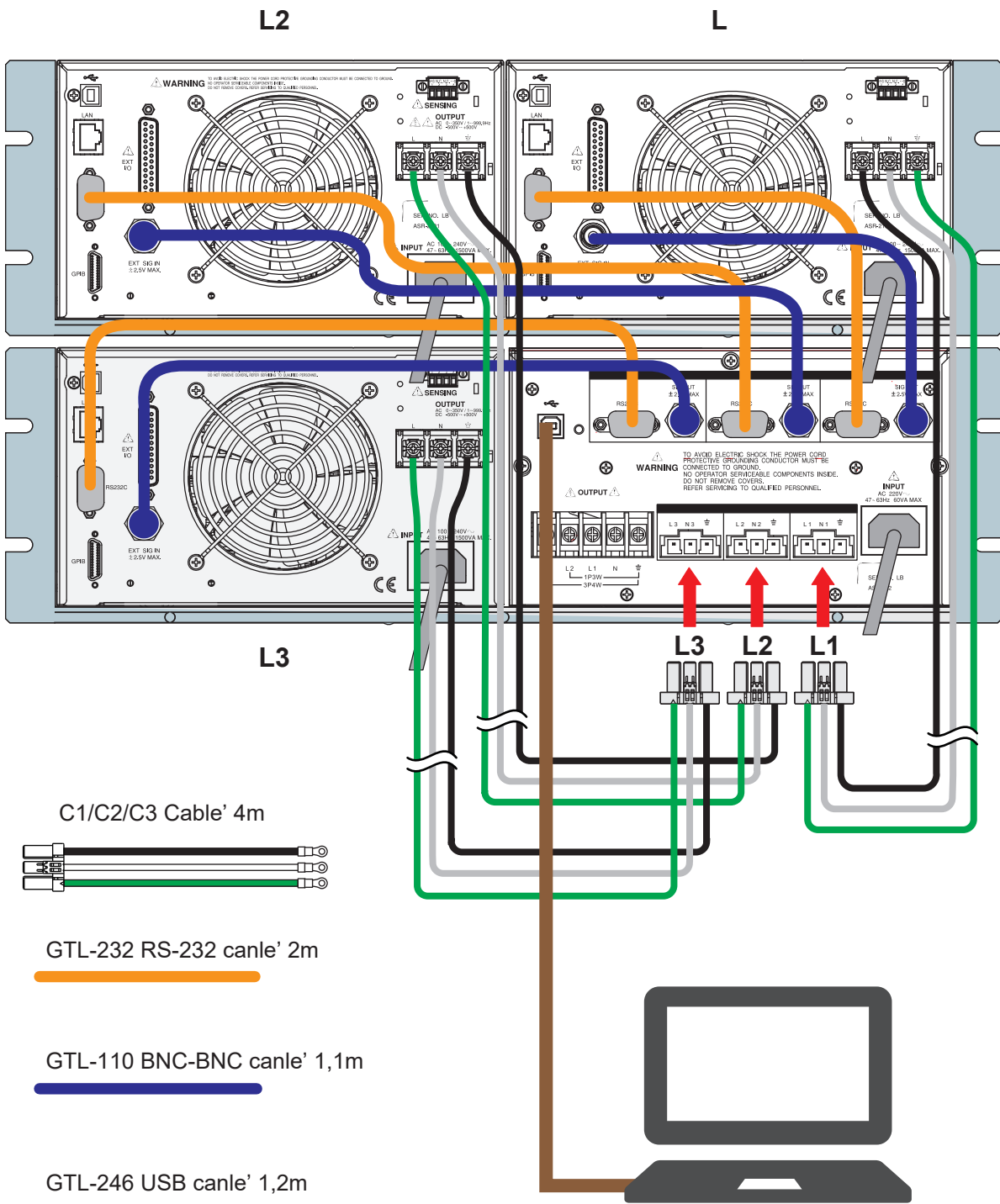
Accessories

- GTL-232 x 3 RS232C cable, approx. 2m
- GTL-110 x 3 BNC test lead, approx 1.1m
- GTL-246 x 1 USB Cable (USB 2.0 Type A- Type B Cable, Approx. 1.2m)
- 40WC792030011 x 3 C1/C2/C3 Cable, 4m Max Length, UL1015 12AWG, RV5-5, Hirose DF22-4S□7.92C(28) 3P + DF22A-1012SCF



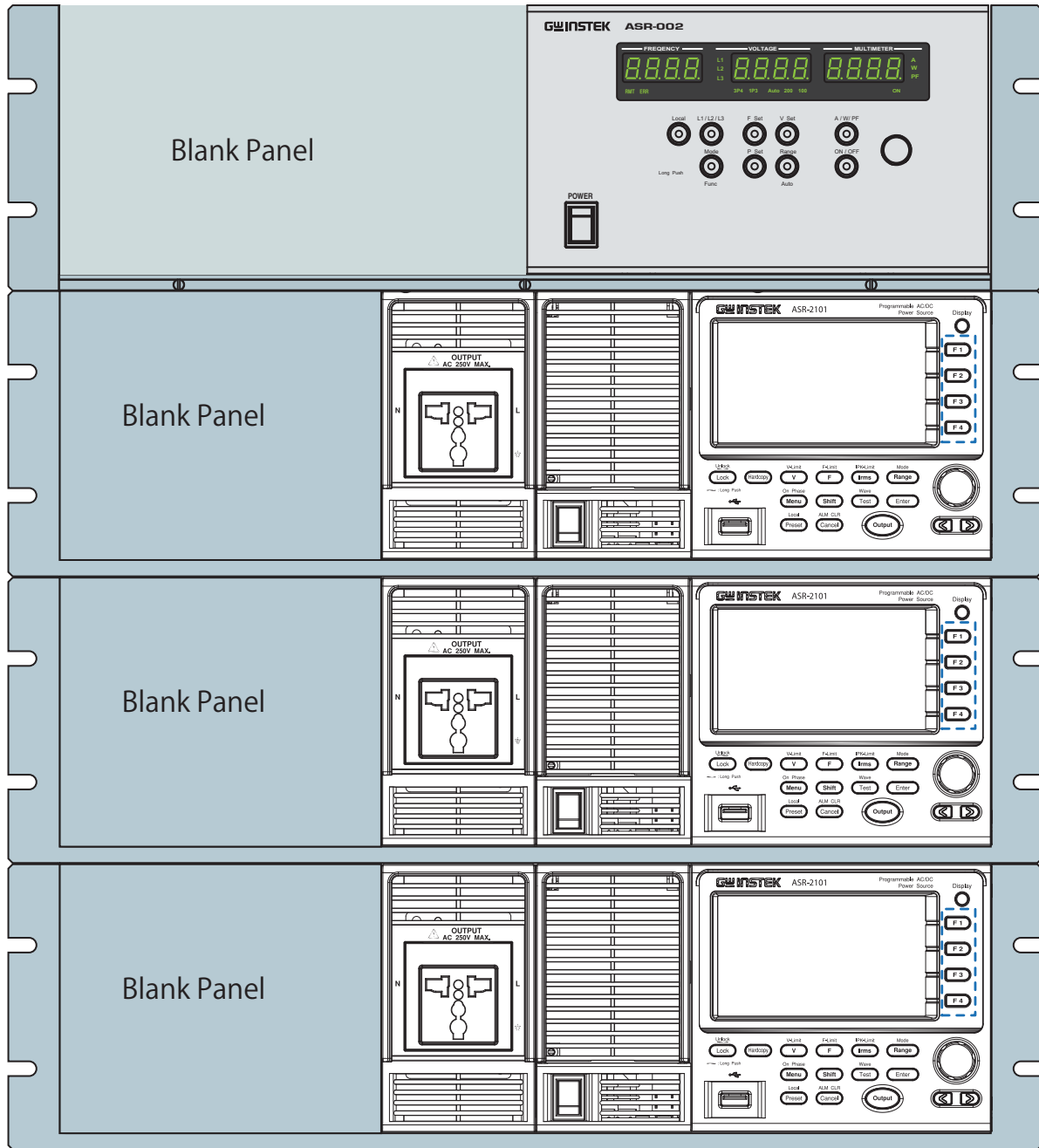
Example: GRA-439-E Rack Mount Kit(EIA)





C1/C2/C3 Cable



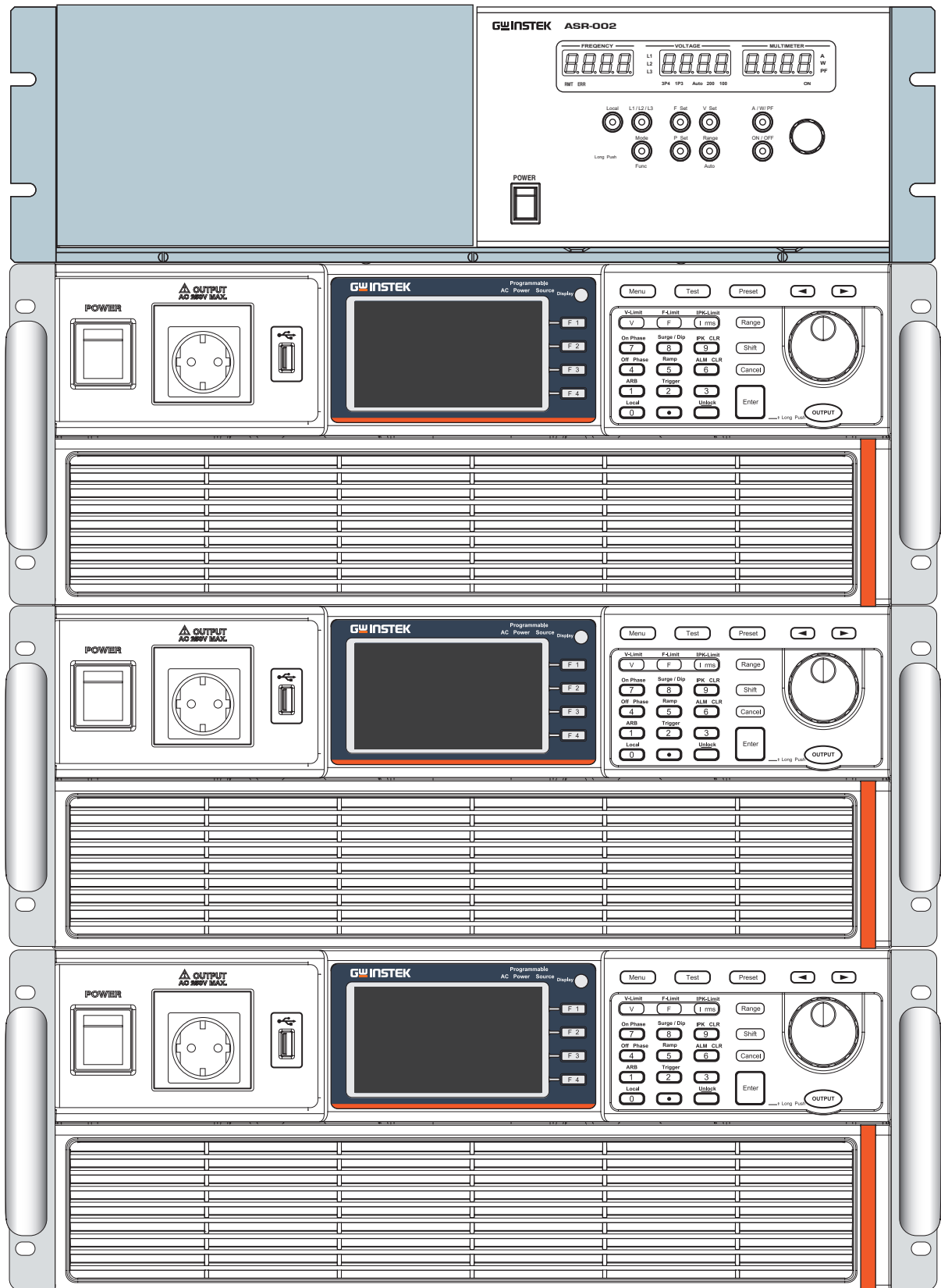


ASR-3000 and ASR-002

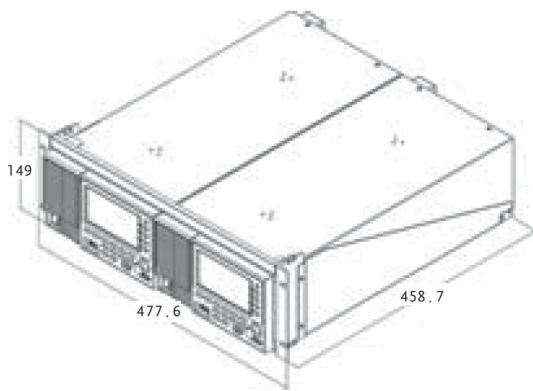
GW INSTEK

Simply Reliable

Since 1975



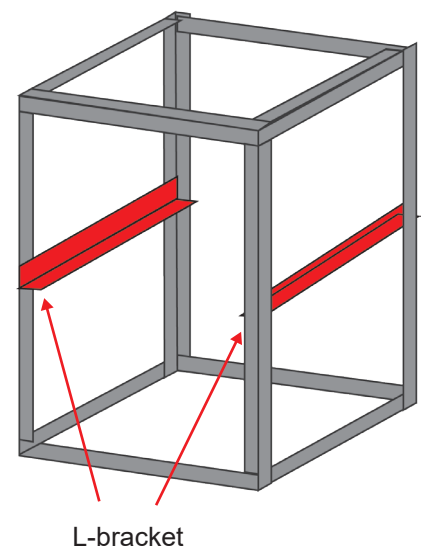
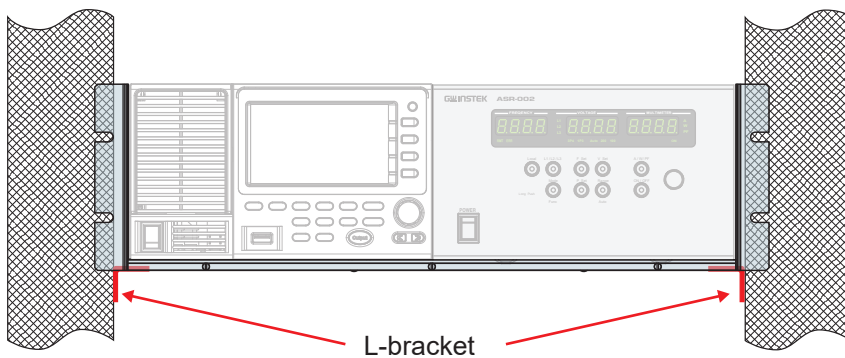
GRA-439-E Rack Mount Kit(EIA)



ASR-3000 Standard Accessory: GRA-442-E Rack Mount Adapter(EIA)



Rack installation Diagram



Please note the minimum width that is needed to be supported on the L-brackets

