

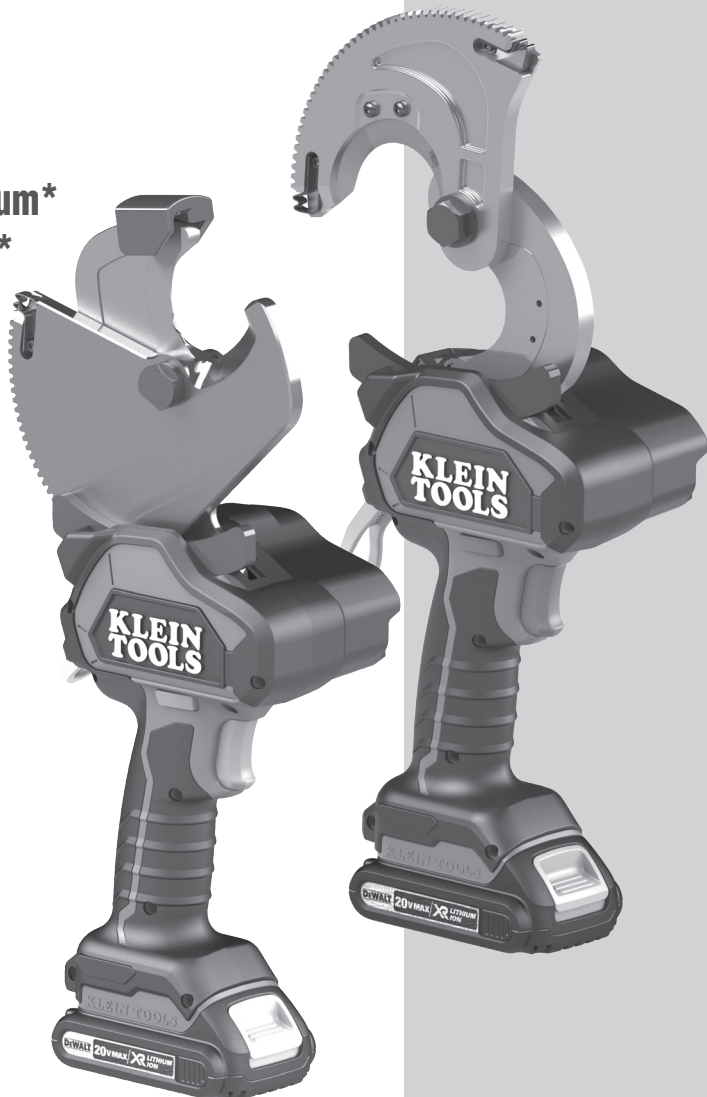
# ENGLISH

## INSTRUCTION MANUAL

### Battery-Powered Geared Cable Cutters

- 20V Lithium Ion
- Cuts up to:
  - 1590 MCM ACSR\*
  - 1500 MCM Aluminum\*
  - 1000 MCM Copper\*
  - 1/2" EHS\*

\*See specific models for capacities



ESPAÑOL pg. 13

FRANÇAIS pg. 25



**GENERAL SPECIFICATIONS**

Klein Tools BAT20-G Series Geared Cable Cutters are designed for professional cable cutting applications.

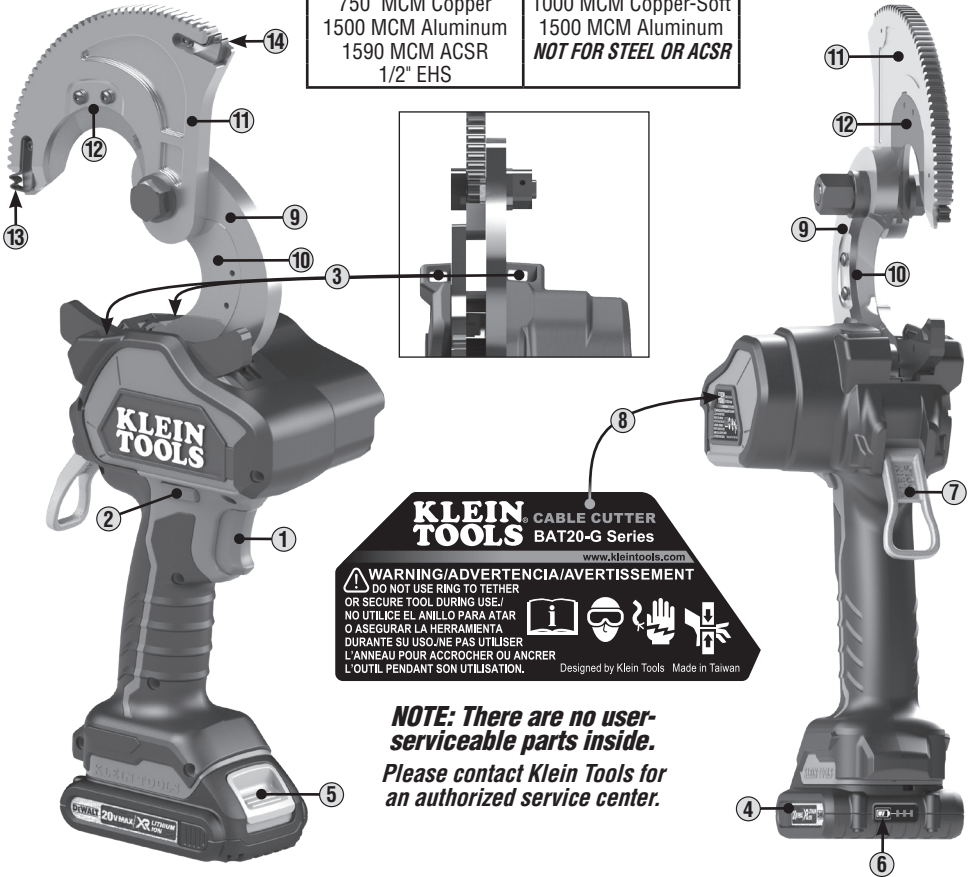
- **Power Source:** 20V Li-Ion battery
- **Cutting Capacity:** For the exact cutting capacity of your model, please refer to markings on tool blade or visit [www.kleintools.com](http://www.kleintools.com).

*Specifications subject to change.*

**FEATURE DETAILS - CLOSED-JAW MODELS**

**RATED CAPACITIES - DO NOT EXCEED**

MODEL BAT20-GD1	MODEL BAT20-GD10
750 MCM Copper	1000 MCM Copper-Soft
1500 MCM Aluminum	1500 MCM Aluminum
1590 MCM ACSR	<b>NOT FOR STEEL OR ACSR</b>
1/2" EHS	



**KLEIN TOOLS** CABLE CUTTER  
**BAT20-G Series**  
[www.kleintools.com](http://www.kleintools.com)

**WARNING/ADVERTENCIA/AVERTISSEMENT**  
 DO NOT USE RING TO TETHER  
 OR SECURE TOOL DURING USE./  
 NO UTILICE EL ANILLO PARA ATAR  
 O ASEGURAR LA HERRAMIENTA  
 DURANTE SU USO./NE PAS UTILISER  
 L'ANNEAU POUR ACCROCHER OU ANCRER  
 L'OUTIL PENDANT SON UTILISATION.

Designed by Klein Tools Made in Taiwan

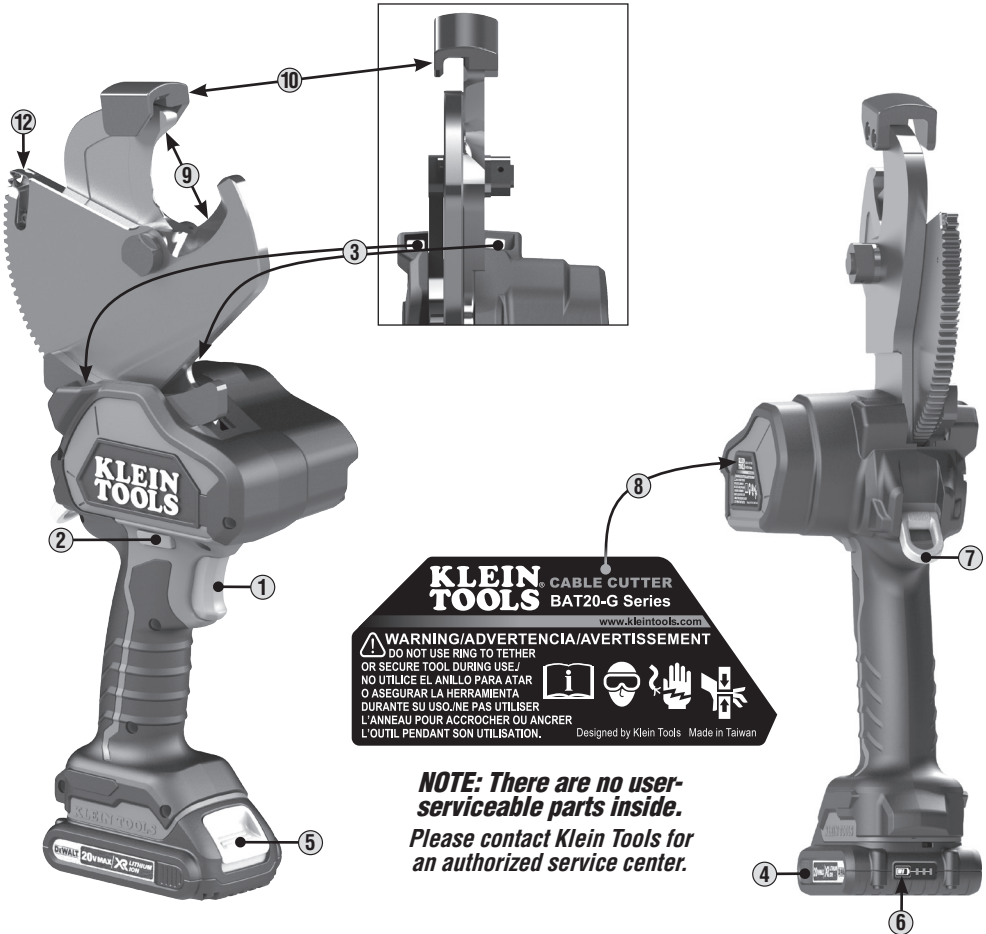
**NOTE: There are no user-serviceable parts inside.**  
 Please contact Klein Tools for an authorized service center.

- |                                       |                                   |                                    |
|---------------------------------------|-----------------------------------|------------------------------------|
| 1 Trigger                             | 6 Fuel gauge button               | 11 Moving blade carrier            |
| 2 Forward/Reverse/Lock Trigger Button | 7 Lift ring                       | 12 Moving blade replaceable insert |
| 3 Work Lights (x2)                    | 8 Side Warning Label              | 13 Replaceable forward gear guide  |
| 4 Battery pack                        | 9 Fixed blade carrier             | 14 Replaceable reverse gear guide  |
| 5 Battery release button              | 10 Fixed blade replaceable insert |                                    |

## FEATURE DETAILS - OPEN-JAW MODELS

### RATED CAPACITIES - DO NOT EXCEED

MODEL BAT20-G2	MODEL BAT20-G7
400 MCM Copper	600 MCM Copper
900 MCM Aluminum	1000 MCM Aluminum
795 MCM ACSR	<b>NOT FOR STEEL OR ACSR</b>



- 1 Trigger
- 2 Forward/Reverse/Lock Trigger Button
- 3 Work Lights (x2)
- 4 Battery pack
- 5 Battery release button
- 6 Fuel gauge button
- 7 Lift ring
- 8 Side Warning Label
- 9 Blades
- 10 Blade Guide
- 11 Replaceable forward gear guide (not shown)
- 12 Replaceable reverse gear guide

## DEFINITIONS

The definitions below describe the level of severity for each signal word used in this manual:

**DANGER:** Indicates an imminently hazardous situation which, if not avoided, will result in death or serious injury.

**WARNING:** Indicates a potentially hazardous situation which, if not avoided, could result in death or serious injury.

**CAUTION:** Indicates a potentially hazardous situation which, if not avoided, may result in minor or moderate injury.

**NOTICE:** Indicates a practice not related to personal injury which, if not avoided, may result in property damage.

## ⚠ WARNINGS

- **DO NOT** use under wet conditions or in presence of flammable liquids or gases.
- This is a professional power tool. **DO NOT** let children come into contact with the tool. Supervision is required when inexperienced operators use this tool.
- Never modify the power tool or any part of it. Damage or personal injury could result.

## SAFETY

*To ensure safe operation and service of the drill, follow these instructions. Failure to observe these warnings can result in electric shock, fire, severe injury or death.*

### 1) Work Area Safety

- a) Keep work area clean and well lit. Cluttered or dark areas invite accidents.
- b) Do not operate power tools in explosive atmospheres, such as in the presence of flammable liquids, gases or dust. Power tools create sparks which may ignite the dust or fumes.
- c) Keep children and bystanders away while operating a power tool. Distractions can cause you to lose control.

### 2) Electrical Safety

- a) Avoid body contact with earthed or grounded objects. There is an increased risk of electric shock if your body is earthed or grounded.
- b) Do not expose power tools to rain or wet conditions. Water entering a power tool will increase the risk of electric shock.
- c) Do not abuse the battery charger cord. Never use the cord for carrying, pulling or unplugging. Keep cord away from heat, oil, sharp edges or moving parts. Damaged or entangled cords increase the risk of electric shock.
- d) When operating the battery charger outdoors, use an extension cord suitable for outdoor use. Use of a cord suitable for outdoor use reduces the risk of electric shock.
- e) If operating the battery charger in a damp location is unavoidable, use a ground fault circuit interrupter (GFCI) protected supply. Use of a GFCI reduces the risk of electric shock.

### 3) Personal Safety

- a) Stay alert, watch what you are doing and use common sense when operating a power tool. Do not use a power tool while you are tired or under the influence of drugs, alcohol or medication. A moment of inattention while operating power tools may result in serious personal injury.
- b) Use personal protective equipment. Always wear eye protection. Protective equipment such as dust mask, non-skid safety shoes, hard hat, or hearing protection used for appropriate conditions will reduce personal injuries.
- c) Prevent unintentional starting. Ensure the trigger lock is engaged before connecting to battery pack, picking up or carrying the tool. Carrying power tools with your finger on the switch invites accidents.
- d) Do not overreach. Keep proper footing and balance at all times. This enables better control of the power tool in unexpected situations.
- e) Dress properly. Do not wear loose clothing or jewelry. Keep your hair, clothing and gloves away from moving parts. Loose clothes, jewelry or long hair can be caught in moving parts.

## SAFETY

### **4) Power Tool Use and Care**

- a) Do not force the power tool. Use the correct power tool for your application. The correct power tool will do the job better and safer at the rate for which it was designed.
- b) Remove the battery pack from the power tool before making any adjustments, changing accessories, or storing power tools. Such preventive safety measures reduce the risk of starting the power tool accidentally.
- c) Store idle power tools out of the reach of children and do not allow persons unfamiliar with the power tool or these instructions to operate the power tool. Power tools are dangerous in the hands of untrained users.
- d) Maintain power tools. Check for misalignment or binding of moving parts, breakage of parts and any other condition that may affect the power tool's operation. If damaged, have the power tool repaired before use. Many accidents are caused by poorly maintained power tools.
- e) Use the power tool, dies, accessories, etc. in accordance with these instructions, taking into account the working conditions and the work to be performed. Use of the power tool for operations different from those intended could result in a hazardous situation.

### **5) Battery Tool Use and Care**

- a) Recharge only with the charger specified by the manufacturer. A charger that is suitable for one type of battery pack may create a risk of fire when used with another type of battery pack.
- b) Use power tools only with specifically designated battery packs. Use of any other battery packs may create a risk of injury and fire.
- c) When battery pack is not in use, keep it away from other metal objects like paper clips, coins, keys, nails, screws, or other small metal objects that can make connection from one terminal to another. Shorting the battery terminals together may cause burns or a fire.
- d) Under abusive conditions, liquid may be ejected from the battery; avoid contact. If contact accidentally occurs, flush with water. If liquid contacts eyes, additionally seek medical help. Liquid ejected from the battery may cause irritation or burns.

### **6) Service**

- a) Have your power tool serviced by a qualified repair person using only identical replacement parts. This will ensure that the safety of the power tool is maintained. Contact Klein Tools for authorized service centers.

### **7) Additional Specific Safety Rules**

ALWAYS use safety glasses. Everyday eyeglasses are NOT safety glasses.

### **8) Equipment**

**WARNING:** Always wear proper personal hearing protection that conforms to ANSI S12.6 (S3.19) during use. Under some conditions and duration of use, noise from this product may contribute to hearing loss.

**CAUTION:** When not in use, place tool on its side on a stable surface where it will not cause a tripping or falling hazard. Some tools with large battery packs will stand upright on the battery pack but may be easily knocked over.

## SAFETY

**9) Important Safety Instructions for All Battery Packs**

**⚠️ WARNING: SHOCK HAZARD.** Do not allow any liquid to get inside the charger. Electric shock may result.

**⚠️ WARNING: BURN HAZARD.** To reduce the risk of injury, charge only DeWALT rechargeable battery packs. Other types of batteries may overheat and burst resulting in personal injury and property damage.

**NOTICE:** Under certain conditions, with the charger plugged into the power supply, the charger can be shorted by foreign material. Foreign materials of a conductive nature, such as, but not limited to, grinding dust, metal chips, steel wool, aluminum foil or any buildup of metallic particles should be kept away from the charger cavities. Always unplug the charger from the power supply when there is no battery pack in the cavity. Unplug the charger before attempting to clean.

- When ordering replacement battery packs, be sure to include the catalog number and voltage. Consult the chart at the end of this manual for compatibility of chargers and battery packs.
- The battery pack is not fully charged out of the carton. Before using the battery pack and charger, read the safety instructions below and then follow charging procedures outlined.
- **DO NOT** charge or use the battery pack in explosive atmospheres, such as in the presence of flammable liquids, gases or dust. Inserting or removing the battery pack from the charger may ignite the dust or fumes.
- **NEVER** force the battery pack into the charger. Do not modify the battery pack in any way to fit into a non-compatible charger as battery pack may rupture causing serious personal injury. Consult the chart at the end of this manual for compatibility of batteries and chargers.
- Charge the battery packs only in designated DeWALT chargers.
- **DO NOT** splash or immerse in water or other liquids.
- **DO NOT** store or use the tool and battery pack in locations where the temperature may reach or exceed 104°F (40°C) (such as sheds or metal buildings in summer). For best life store battery packs in a cool, dry location. **NOTE:** Do not store the battery packs in a tool.
- **DO NOT** incinerate the battery pack even if it is severely damaged or is completely worn out. The battery pack can explode in a fire. Toxic fumes and materials are created when lithium ion battery packs are burned.
- If battery contents come into contact with the skin, immediately wash area with mild soap and water. If battery liquid gets into the eye, rinse water over the open eye for 15 minutes or until irritation ceases. If medical attention is needed, the battery electrolyte is composed of a mixture of liquid organic carbonates and lithium salts.
- Contents of opened battery cells may cause respiratory irritation. Provide fresh air. If symptoms persist, seek medical attention.

**⚠️ WARNING: FIRE HAZARD.** Never attempt to open the battery pack for any reason. If the battery pack case is cracked or damaged, do not insert into the charger. Do not crush, drop or damage the battery pack. Do not use a battery pack or charger that has received a sharp blow, been dropped, run over or damaged in any way (e.g., pierced with a nail, hit with a hammer, stepped on). Damaged battery packs should be returned to the service center for recycling.

**⚠️ WARNING: FIRE HAZARD.** Do not store or carry the battery pack so that metal objects can contact exposed battery terminals. For example, do not place the battery pack in aprons, pockets, tool boxes, product kit boxes, drawers, etc., with loose nails, screws, keys, etc. Transporting batteries can possibly cause fires if the battery terminals inadvertently come in contact with conductive materials such as keys, coins, hand tools and the like. The US Department of Transportation Hazardous Material Regulations (HMR) actually prohibit transporting batteries in commerce or on airplanes (e.g., packed in suitcases and carry-on luggage) UNLESS they are properly protected from short circuits. So when transporting individual battery packs, make sure that the battery terminals are protected and well insulated from materials that could contact them and cause a short circuit.

**⚠️ WARNING: BURN HAZARD.** Battery liquid may be flammable if exposed to spark or flame.

## SAFETY

### 10) Important Safety Instructions for All Battery Chargers

- Before using the charger, read all instructions and cautionary markings on the charger, battery pack and product using the battery pack.
- **DO NOT** attempt to charge the battery pack with any chargers other than the ones in this manual. The charger and battery pack are specifically designed to work together.
- These chargers are **NOT** intended for any uses other than charging DeWALT rechargeable batteries. Any other uses may result in risk of fire, electric shock or electrocution.
- **DO NOT** expose the charger to rain or snow.
- Pull by the plug rather than the cord when disconnecting the charger. This will reduce the risk of damage to the electric plug and cord.
- Make sure that the cord is located so that it will not be stepped on, tripped over or otherwise subjected to damage or stress.
- **DO NOT** place any object on top of the charger or place the charger on a soft surface that might block the ventilation slots and result in excessive internal heat. Place the charger in a position away from any heat source. The charger is ventilated through slots in the top and the bottom of the housing.
- **DO NOT** operate the charger with a damaged cord or plug.
- **DO NOT** operate the charger if it has received a sharp blow, been dropped or otherwise damaged in any way. Take it to an authorized service center.
- **DO NOT** disassemble the charger; take it to an authorized service center when service or repair is required. Incorrect reassembly may result in a risk of electric shock, electrocution or fire.
- Disconnect the charger from the outlet before attempting any cleaning. This will reduce the risk of electric shock. Removing the battery pack will not reduce this risk.
- **NEVER** attempt to connect two chargers together.
- The charger is designed to operate on standard 120 volt household electrical power. Do not attempt to use any other voltage. (This does not apply to vehicular chargers.)
- When operating a charger outdoors, always provide a dry location and use an extension cord suitable for outdoor use. Use of a cord suitable for outdoor use reduces the risk of electric shock.
- **DO NOT** use an extension cord unless it is absolutely necessary. Use of improper extension cord could result in risk of fire, electric shock or electrocution.
- An extension cord must have adequate wire size (AWG or American Wire Gauge) for safety. The smaller the gauge number of the wire, the greater the capacity of the cable, that is, 16 gauge has more capacity than 18 gauge. An undersized cord will cause a drop in line voltage resulting in loss of power and overheating. When using more than one extension to make up the total length, be sure each individual extension contains at least the minimum wire size. The table below shows the correct size to use depending on cord length and nameplate ampere rating. If in doubt, use the next heavier gauge. The lower the gauge number, the heavier the cord:

<b>Minimum Gauge for Cord Sets</b>						
<b>Ampere Rating (Amps)</b>		<b>Volts</b>	<b>Total Length of Cord</b>			
		<b>120 V</b>	25' (7.6 m)	50' (15.2 m)	100' (30.5 m)	150' (45.7 m)
		<b>240 V</b>	50' (15.2)	100' (30.5)	200' (61.0)	300' (91.4)
<b>More Than</b>	<b>Not More Than</b>	<b>AWG</b>				
0	6	18	16	16	14	
6	10	18	16	14	12	
10	12	16	16	14	12	
12	16	14	12	<b><i>Not Recommended</i></b>		

## SAFETY

**11) Additional Specific Safety Rules****ALWAYS WEAR CERTIFIED SAFETY EQUIPMENT:**

- ANSI Z87.1 eye protection (CAN/CSA Z94.3).
- ANSI S12.6 (S3.19) hearing protection.
- NIOSH/OSHA/MSHA respiratory protection.
- Wear safety goggles or other eye protection. Flying particles can cause permanent eye damage. **ALWAYS** use safety glasses. Everyday eyeglasses are **NOT** safety glasses. Also use face or dust mask if cutting operation is dusty.
- Accessories and tools get hot during operation. Wear gloves when touching them.
- Air vents often cover moving parts and should be avoided. Loose clothes, jewelry or long hair can be caught in moving parts.
- Use clamps or other practical way to secure and support the workpiece to a stable platform. Holding the work by hand or against your body is unstable and may lead to loss of control.

## BATTERY CHARGING INSTRUCTIONS

**Battery Charger Models DCB107, DCB112, DCB113, DCB115**

- This Class B digital apparatus complies with Canadian ICES-003.
- This device complies with Part 15 of the FCC Rules and Industry Canada License exempt RSS standard(s). Operation is subject to the following two conditions:
  - 1) This device may not cause harmful interference, and
  - 2) This device must accept any interference received, including interference that may cause undesired operation.

**NOTE:** This equipment has been tested and found to comply with the limits for a Class B digital device, pursuant to Part 15 of the FCC Rules. These limits are designed to provide reasonable protection against harmful interference in a residential installation. This equipment generates, uses and can radiate radio frequency energy and, if not installed and used in accordance with the instructions, may cause harmful interference to radio communications. However, there is no guarantee that interference will not occur in a particular installation. If this equipment does cause harmful interference to radio or television reception, which can be determined by turning the equipment off and on, the user is encouraged to try to correct the interference by one or more of the following measures:

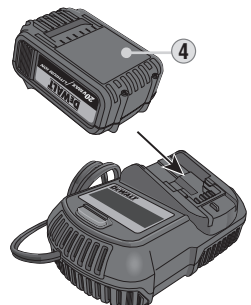
- Reorient or relocate the receiving antenna.
- Increase the separation between the equipment and receiver.
- Connect the equipment into an outlet on a circuit different from that to which the receiver is connected.
- Consult the dealer or an experienced radio/TV technician for help.

Changes or modifications not expressly approved by the party responsible for compliance could void the user's authority to operate the equipment.

**Battery Charging**

Your tool uses a DeWALT charger. Be sure to read all safety instructions before using your charger.

1. Plug the charger into an appropriate outlet before inserting the battery pack.
2. Insert the battery pack **4** into the charger, making sure the pack is fully seated in charger. The red light will blink continuously, indicating the charging process has started.
3. The completion of charge will be indicated by the red light remaining ON continuously. The pack is fully charged and may be used at this time or left in the charger.





## BATTERY CHARGING INSTRUCTIONS

### **Charge Indicators**

Your charger is designed to detect certain problems that can arise. Problems are indicated by the red light flashing at a fast rate. If this occurs, re-insert the battery pack into the charger. If the problem persists, try a different battery pack to determine if the charger is working properly. If the new pack charges correctly, then the original pack is defective and should be returned to a service center or other collection site for recycling. If the new battery pack elicits the same trouble indication as the original, have the charger and the battery pack tested at an authorized service center.

Your charger has the following indicators: Pack Charging, Pack Charged, Hot/Cold Delay.

**HOT/COLD DELAY:** The above model chargers have a hot/cold delay feature. When the charger detects a battery that is too hot or too cold, it automatically starts a delay, suspending charging. The red light will continue to blink, but a yellow indicator light will be illuminated during this suspension. Once the battery has reached an optimum temperature, the yellow light will turn off and the charger will automatically resume the charging procedure. This feature ensures maximum battery life.

**LEAVING THE BATTERY PACK IN THE CHARGER:** The charger and battery pack can be left connected with the charge indicator showing Pack Charged.

**WEAK BATTERY PACKS:** Weak batteries will continue to function but should not be expected to perform as much work.

### **FAULTY BATTERY PACKS**

These chargers will *not* charge a faulty battery pack. The charger will indicate faulty battery pack by refusing to light. **NOTE:** This could also indicate a problem with the charger.

### **WALL MOUNTING**

These chargers are designed to be wall mountable or to sit upright on a table or work surface. If wall mounting, locate the charger within reach of an electrical outlet. Mount the charger securely using drywall screws at least 1" (25.4 mm) long, screwed into wood to an optimal depth leaving approximately 7/32" (5.5 mm) of the screw exposed.

### **IMPORTANT CHARGING NOTES**

1. Longest life and best performance can be obtained if the battery pack is charged when the air temperature is between 65 °F and 75 °F (18 °–24 °C). **DO NOT** charge the battery pack in an air temperature below 40 °F (4.5 °C), or above 104 °F (40 °C). This is important and will prevent serious damage to the battery pack.
2. The charger and battery pack may become warm to the touch while charging. This is a normal condition, and does not indicate a problem. To facilitate the cooling of the battery pack after use, avoid placing the charger or battery pack in a warm environment such as in a metal shed or an uninsulated trailer.
3. A cold battery pack will charge at about half the rate of a warm battery pack. The battery pack will charge at a slower rate throughout the entire charging cycle and will not return to maximum charge rate even if the battery pack warms.
4. If the battery pack does not charge properly:
  - a. Check operation of receptacle by plugging in a lamp or other appliance;
  - b. Check to see if receptacle is connected to a light switch which turns power off when you turn out the lights;
  - c. Move the charger and battery pack to a location where the surrounding air temperature is approximately 65 °F–75 °F (18 °–24 °C);
  - d. If charging problems persist, take the tool, battery pack and charger to your local DeWALT service center.
5. The battery pack should be recharged when it fails to produce sufficient power on jobs which were easily done previously. **DO NOT CONTINUE** to use under these conditions. Follow the charging procedure. You may also charge a partially used pack whenever you desire with no adverse effect on the battery pack.
6. Foreign materials of a conductive nature such as, but not limited to, grinding dust, metal chips, steel wool, aluminum foil, or any buildup of metallic particles should be kept away from charger cavities. Always unplug the charger from the power supply when there is no battery pack in the cavity. Unplug the charger before attempting to clean.
7. **DO NOT** freeze or immerse the charger in water or any other liquid.

## BATTERY CHARGING INSTRUCTIONS

**⚠️ WARNING: SHOCK HAZARD. DO NOT** allow any liquid to get inside the charger. Electric shock may result.

**⚠️ WARNING: BURN HAZARD. DO NOT** submerge the battery pack in any liquid or allow any liquid to enter the battery pack. Never attempt to open the battery pack for any reason. If the plastic housing of the battery pack breaks or cracks, return to a service center for recycling.

## INSTALLING & REMOVING BATTERY PACK

**NOTE:** For best results, make sure your battery pack is fully charged.

- To install the battery pack **④** into the tool, align the battery pack with the rails inside the tool's handle and slide it into the handle until the battery pack is firmly seated in the tool and ensure that it does not disengage.
- To remove the battery pack from the tool, press the release button **⑤** and firmly pull the battery pack out of the tool handle. Insert it into the charger as described in the charger section of this manual.

**NOTE:** After removing the battery pack, squeeze the trigger for three seconds to dissipate any electric charge that may still be in the tool.

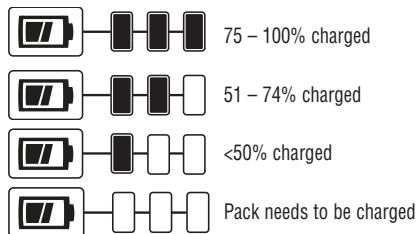


## FUEL GAUGE BATTERY PACKS **⑥**

Some DeWALT battery packs include a fuel gauge which consists of three green LED lights that indicate the level of charge remaining in the battery pack. To actuate the fuel gauge, press and hold the fuel gauge button. A combination of the three green LED lights will illuminate, designating the level of charge left. When the level of charge in the battery is below the usable limit, the fuel gauge will not illuminate and the battery will need to be recharged.

**NOTE:** The fuel gauge is only an indication of the approximate charge left on the battery pack, according to the indicators shown here. It does *not* indicate tool functionality and is subject to variation based on product components, temperature and end-user application.

For more information regarding fuel gauge battery packs, please call **1-800-4-DeWALT (1-800-433-9258)** or visit [www.dewalt.com](http://www.dewalt.com).



## OPERATING INSTRUCTIONS

- Inspect the tool before and after every use. **DO NOT** use this tool if it is damaged in any way. Inform Klein Tools® authorized distributors or contact Klein Tools in case of any abnormalities or malfunctions of the product.
- Check for loose parts before using. Personal injury can be caused by operating poorly maintained tools.
- To avoid injury, keep hands away from the tool head and workpiece during operation.
- Remove battery pack while servicing, replacing dies, or storing the tool.

**FORWARD/REVERSE/LOCK TRIGGER BUTTON (2) (FIG. 1):** There are three settings on this button: Forward (to cut through cables), Reverse (to back the blade out), and Locked position (prevents tool from operating in either direction).

**NOTE:** For safety purposes, keep the tool in the locked position when preparing cable and when moving or storing.

**NOTE:** To prevent damage to the battery, the cable cutter may stop mid-cut if battery voltage drops below a safe level.

**NOTE:** The cable cutter may stop if internal temperatures become too high. The system will reset in 5 seconds to allow tool to open. Once removed from cable, allow 30 minutes for internal components to cool before resuming cutting.

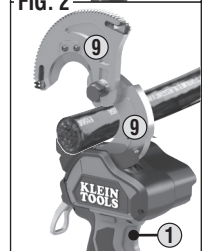
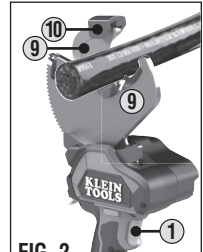
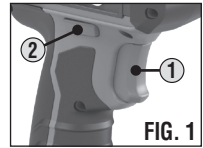
### CUTTING CABLE (FIG. 2):

1. With the button in forward position. Place the cable to be cut between the blades (9) and press the trigger (1) to advance the cutting blade.
2. Hold the trigger until the cable is cut completely.
3. If required, switch the Forward/Reverse/Lock Button to the Reverse position to retract the cutting blade. For closed-jaw models, after completing the cut you can reverse the blade to retract it to its original position, or continue to advance the blade until it disengages from the internal gears. When this happens, move the Forward/Reverse/Lock Trigger Button to the locked position and manually rotate cutting blade around to re-engage the blade into the tool. **DO NOT** force or push the blade into the gear mechanism.

**BLADE GUIDES (Open-Jaw models only) (10):** The blade guide is designed to help align internal drive gears with cutting blades. As a result, the blade guide can make noise while engaging. This is normal and will not harm the tool. Over time, the blade guides may not engage as easily and may need replacing. Please contact Klein Tools for an authorized repair center.

**LIFT RING (7) (FIG. 3):** The lift ring is intended for moving the tool into hard-to-reach areas. Securely fasten lifting device to the ring before moving the tool. Follow all worksite rules.

**⚠️ WARNING:** To reduce the risk of serious personal injury, **DO NOT** use the lift ring for tethering or securing the tool to a person or object during use when elevated.



## MAINTENANCE

- Have your power tool serviced by a qualified repair person using only identical replacement parts. This will ensure that the safety of the power tool is maintained. Contact Klein Tools for authorized service centers. Visit [www.kleintools.com](http://www.kleintools.com) for service manual and replacement part list.
- The charger and battery pack are **NOT** serviceable. To assure product **SAFETY** and **RELIABILITY**, repairs, maintenance and adjustments should be performed by a DeWALT factory service center, a DeWALT authorized service center or other qualified service personnel.

## CLEANING

### Tool:

- Blow dirt and dust out of all air vents with clean, dry air at least once a week. To minimize the risk of eye injury, always wear ANSI Z87.1 approved eye protection when performing this.
- Never use solvents or other harsh chemicals for cleaning the non-metallic parts of the tool. These chemicals may weaken the plastic materials used in these parts. Use a cloth dampened only with water and mild soap. Never immerse any part of the tool into a liquid.

### Charger:

**⚠️ WARNING: SHOCK HAZARD.** Disconnect the charger from the AC outlet before cleaning. Dirt and grease may be removed from the exterior of the charger using a cloth or soft non-metallic brush. **DO NOT** use water or any cleaning solutions.

## STORAGE

The best storage place is one that is cool and dry, away from direct sunlight and excess heat or cold. For prolonged storage, it is recommended to store a fully charged battery pack in a cool, dry place out of the charger for optimal results. **NOTE:** Battery packs should not be stored completely depleted of charge. The battery pack will need to be recharged before use.

## WARRANTY – CABLE CUTTER

Klein Tools Battery Operated Tools, manufactured and sold for commercial or industrial uses, are warranted to be free from defects in materials and workmanship.

THERE ARE NO IMPLIED WARRANTIES OF MERCHANTABILITY OR FITNESS. At its option, Klein will repair, replace, or refund the purchase price of any product which fails to conform to this warranty under normal use and service. There are no user serviceable parts in this tool. This warranty does not apply if repairs have been made or attempted by non-Klein Tools Authorized Repair Centers, if alterations have been made, or if the tool has been abused or misused.

IN NO EVENT SHALL KLEIN TOOLS BE LIABLE FOR INCIDENTAL OR CONSEQUENTIAL DAMAGE. Some states do not allow exclusion or limitation of incidental or consequential damages, so the above limitation or exclusion may not apply to you.

See [www.kleintools.com/warranty](http://www.kleintools.com/warranty) for additional information.

## WARRANTY – CHARGERS AND BATTERY PACKS

DeWALT **chargers** are covered by:

**Three Year Limited Warranty:** DeWALT will repair, without charge, any defects due to faulty materials or workmanship for three years from the date of purchase. This warranty does not cover part failure due to normal wear or tool abuse. For further detail of warranty coverage and warranty repair information, visit [www.dewalt.com](http://www.dewalt.com) or call 1-800-4-DeWALT (1-800-433-9258). This warranty does not apply to accessories or damage caused where repairs have been made or attempted by others. This warranty gives you specific legal rights and you may have other rights which vary in certain states or provinces.

DeWALT **battery packs** are covered by:

**Two Years free service on Packs:** DCB201, DCB203, DCB203BT, DCB207.

**Three Years free service on Packs:** DCB200, DCB204, DCB204BT, DCB205.

Product warranty voided if the battery pack is tampered with in any way. DeWALT is not responsible for any injury caused by tampering and may prosecute warranty fraud to the fullest extent permitted by law.

For more information on DeWALT service or warranties, visit [www.dewalt.com](http://www.dewalt.com) or call **1-800-4-DeWALT (1-800-433-9258)**.

## DISPOSAL



Do not place equipment and its accessories in the trash. Items must be properly disposed of in accordance with local regulations. Please see [www.epa.gov](http://www.epa.gov) or [www.erecycle.org](http://www.erecycle.org) for additional information.

## THE RBRC™ SEAL

The RBRC™ (Rechargeable Battery Recycling Corporation) Seal on the nickel cadmium, nickel metal hydride or lithium ion batteries (or battery packs) indicate that the costs to recycle these batteries (or battery packs) at the end of their useful life have already been paid. In some areas, it is illegal to place spent nickel cadmium, nickel metal hydride or lithium ion batteries in the trash or municipal solid waste stream and the RBRC program provides an environmentally conscious alternative.

RBRC™ has established programs in the United States and Canada to facilitate the collection of spent nickel cadmium, nickel metal hydride or lithium ion batteries. Help protect our environment and conserve natural resources by returning the spent nickel cadmium, nickel metal hydride or lithium ion batteries to an authorized DeWALT service center or to your local retailer for recycling. You may also contact your local recycling center for information on where to drop off the spent battery RBRC™ is a registered trademark of the Rechargeable Battery Recycling Corporation.

**⚠️ WARNING: EXPLOSION HAZARD. DO NOT INCINERATE BATTERY PACK.**

**DEWALT and the DEWALT logo are trademarks of Stanley Black & Decker, Inc, or an affiliate thereof and are used under license.**



## CUSTOMER SERVICE

**KLEIN TOOLS, INC.**

450 Bond Street Lincolnshire, IL 60069

1-844-395-3235

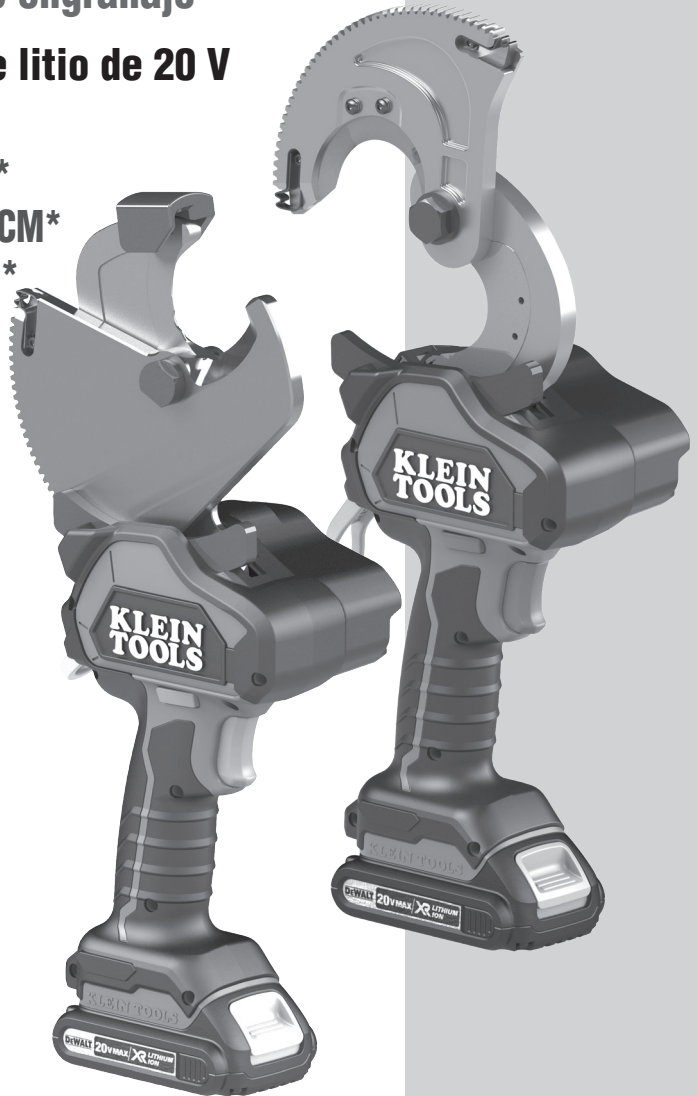
**ESPAÑOL**

## **MANUAL DE INSTRUCCIONES**

**Cortadores multicable a batería  
con mecanismo de engranaje**

- **Batería de ion de litio de 20 V**
- **Corta hasta:**  
ACSR de 1590 MCM\*  
Aluminio de 1500 MCM\*  
Cobre de 1000 MCM\*

\*Para conocer las capacidades,  
consulte cada modelo específico.



**Cortadores  
multicable con  
mecanismo de  
engranaje  
SERIE BAT20-G**

**KLEIN  
TOOLS** 

**POWERED BY  
DEWALT**

## ESPECIFICACIONES GENERALES

Los cortadores multicable con mecanismo engranaje serie BAT20-G de Klein Tools están diseñados para aplicaciones profesionales de corte de cables.

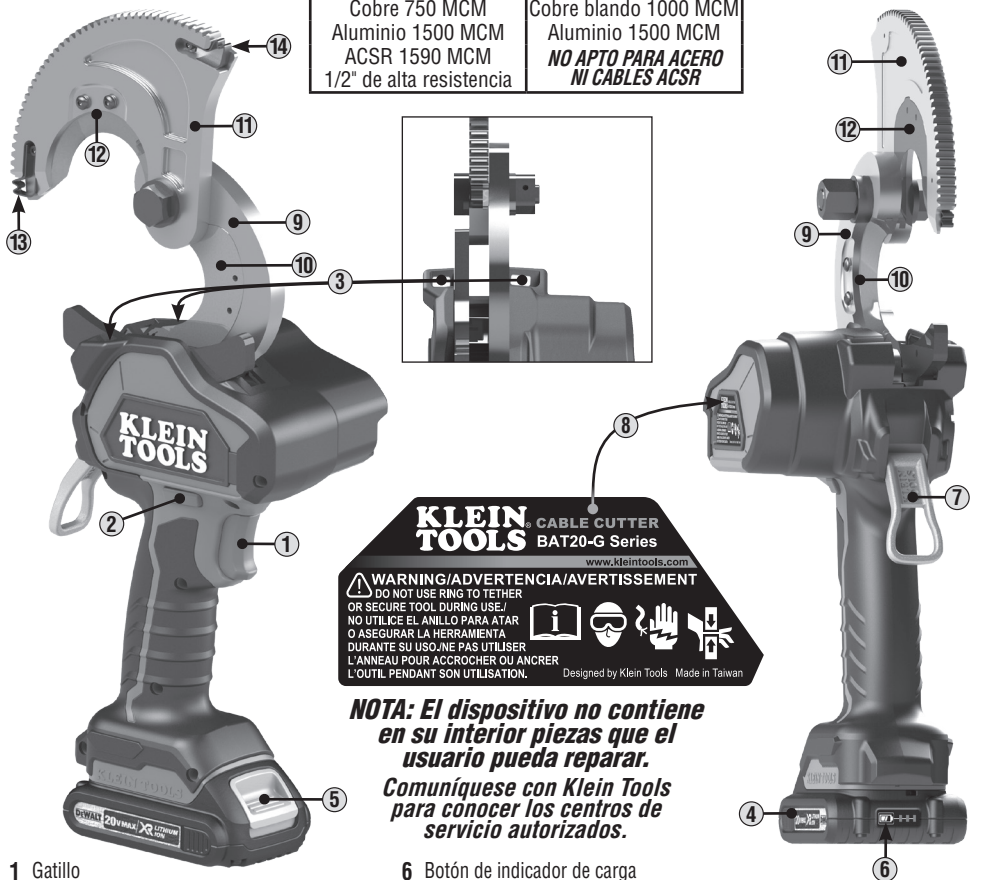
- **Fuente de energía:** batería de ion de litio de 20 V
- **Capacidad de corte:** Para conocer la capacidad de corte específica de cada modelo, consulte las marcas en la cuchilla de la herramienta, o visite [www.kleintools.com](http://www.kleintools.com).

Especificaciones sujetas a cambios.

## DETALLES DE LAS CARACTERÍSTICAS - MODELOS DE MORDAZAS CERRADAS

### CAPACIDADES NOMINALES - NO SUPERE

MODELO BAT20-GD1	MODELO BAT20-GD10
Cobre 750 MCM	Cobre blando 1000 MCM
Aluminio 1500 MCM	Aluminio 1500 MCM
ACSR 1590 MCM	<b>NO APTO PARA ACERO NI CABLES ACSR</b>
1/2" de alta resistencia	



- 1 Gatillo
- 2 Botón de accionamiento hacia adelante/atrás/bloqueo del gatillo
- 3 Luces de trabajo (x2)
- 4 Paquete de baterías
- 5 Botón de liberación de la batería

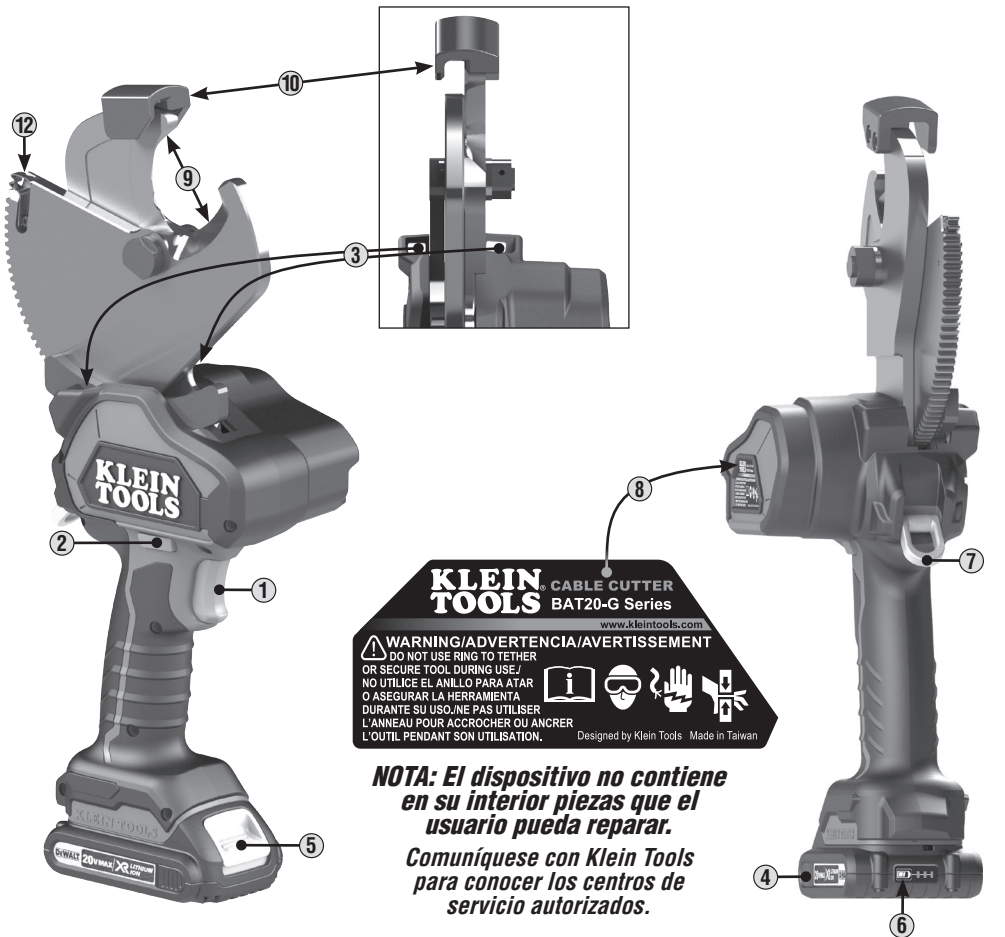
- 6 Botón de indicador de carga
- 7 Anillo de elevación
- 8 Etiqueta lateral de advertencia
- 10 Inserto de cuchilla fija reemp

- 11 Portacuchillas móvil
- 12 Inserto de cuchilla móvil reemp
- 13 Guía de engranaje delantero reemp
- 14 Guía de engranaje inverso reemp

## DETALLES DE LAS CARACTERÍSTICAS - MODELOS DE MORDAZAS ABIERTAS

### CAPACIDADES NOMINALES - NO SUPERE

MODELO BAT20-G2	MODELO BAT20-G7
Cobre 400 MCM	Cobre 600 MCM
Aluminio 900 MCM	Aluminio 1000 MCM
ACSR 795 MCM	<b>NO APTO PARA ACERO NI CABLES ACSR</b>



**KLEIN TOOLS** CABLE CUTTER  
BAT20-G Series  
www.kleintools.com

**WARNING/ADVERTENCIA/AVERTISSEMENT**  
DO NOT USE RING TO TETHER  
OR SECURE TOOL DURING USE/  
NO UTILICE EL ANILLO PARA ATAR  
O ASEGURAR LA HERRAMIENTA  
DURANTE SU USO/NE PAS UTILISER  
L'ANNEAU POUR ACCROCHER OU ANCRER  
L'OUTIL PENDANT SON UTILISATION.

Designed by Klein Tools Made in Taiwan

**NOTA: El dispositivo no contiene en su interior piezas que el usuario pueda reparar.**

**Comuníquese con Klein Tools para conocer los centros de servicio autorizados.**

- |   |                                     |   |
|---|-------------------------------------|---|
| 1 Gatillo   | 5 Botón de liberación de la batería | 9 Cuchillas                                       |
| 2 Botón de accionamiento hacia adelante/atrás/bloqueo del gatillo | 6 Botón de indicador de carga       | 10 Guía de las cuchillas                          |
| 3 Luces de trabajo (x2)   | 7 Anillo de elevación               | 11 Guía de engranaje delantero reemp (no aparece) |
| 4 Paquete de baterías   | 8 Etiqueta lateral de advertencia   | 12 Guía de engranaje inverso reemp                |

## DEFINICIONES

Las definiciones que se presentan a continuación describen el grado de gravedad de cada palabra de advertencia utilizada en este manual:

**PELIGRO:** Indica una situación de peligro inminente que, si no se evita, tendrá como consecuencia la muerte o lesiones graves.

**ADVERTENCIA:** Indica una situación potencialmente peligrosa que, si no se evita, podría tener como consecuencia la muerte o lesiones graves.

**PRECAUCIÓN:** Indica una situación potencialmente peligrosa que, si no se evita, puede tener como consecuencia lesiones menores o moderadas.

**AVISO:** Indica una práctica no asociada a lesiones personales que, si no se evita, puede tener como consecuencia daños materiales.

## ADVERTENCIAS

- **NO** use este producto en condiciones de humedad o en presencia de líquidos o gases inflamables.
- Este cortador multicables es una herramienta eléctrica profesional. **NO** permita que los niños toquen la herramienta. Si la herramienta es usada por operadores sin experiencia, se debe supervisar la tarea.
- Nunca modifique la herramienta eléctrica ni ninguna parte de esta. Si lo hace, podrían producirse daños o lesiones personales.

## SEGURIDAD

*Para garantizar un funcionamiento y servicio seguros del taladro, siga estas instrucciones. El incumplimiento de estas advertencias puede provocar choque eléctrico, incendio, lesiones graves o la muerte.*

### 1) Seguridad en el área de trabajo

- a) Mantenga el área de trabajo limpia y bien iluminada. Los lugares desordenados u oscuros pueden dar lugar a accidentes.
- b) No opere herramientas eléctricas en atmósferas explosivas, por ejemplo, en presencia de líquidos, gases o polvo inflamables. Estas herramientas producen chispas que pueden encender el polvo o los vapores.
- c) Mantenga a niños y espectadores alejados mientras opera una herramienta eléctrica. Las distracciones pueden hacer que pierda el control.

### 2) Seguridad eléctrica

- a) Evite el contacto del cuerpo con objetos conectados a tierra o a masa. El riesgo de choque eléctrico es mayor si su cuerpo está conectado a tierra o a masa.
- b) No exponga las herramientas eléctricas a la lluvia o a condiciones de humedad. El agua que penetra en una herramienta eléctrica aumenta el riesgo de choque eléctrico.
- c) No utilice el cable del cargador de la batería de forma incorrecta. Nunca use el cable para transportar, jalar o desenchufar la herramienta eléctrica. Mantenga el cable alejado del calor, aceite, bordes filosos o piezas móviles. Los cables dañados o enredados aumentan el riesgo de choque eléctrico.
- d) Al operar el cargador de la batería en el exterior, emplee un cable de extensión apto para usar en el exterior. Usar este tipo de cable disminuye el riesgo de choque eléctrico.
- e) Si es inevitable operar el cargador de la batería en un lugar húmedo, use una fuente de alimentación protegida con un interruptor diferencial. Usar un interruptor diferencial disminuye el riesgo de choque eléctrico.

### 3) Seguridad personal

- a) Manténgase alerta, preste atención a lo que está haciendo y use el sentido común cuando opere una herramienta eléctrica. No use una herramienta eléctrica si está cansado o bajo los efectos de drogas, alcohol o medicamentos. Un instante de distracción mientras se opera una herramienta eléctrica puede causar lesiones personales.
- b) Use equipos de protección personal. Siempre debe usar protección para ojos. Los equipos de protección como máscara contra polvo, zapatos de seguridad antideslizantes, casco de seguridad tipo cachucha o protectores auditivos que se usen en las condiciones adecuadas reducirán las lesiones personales.
- c) Evite las puestas en marcha involuntarias. Asegúrese de haber bloqueado el gatillo antes de conectar un paquete de baterías, o de levantar o transportar la herramienta. Transportar herramientas eléctricas con un dedo sobre el interruptor puede provocar accidentes.
- d) No adopte una postura forzada. Mantenga los pies firmemente asentados y conserve el equilibrio en todo momento. De este modo, podrá controlar mejor la herramienta eléctrica en situaciones inesperadas.
- e) Use la vestimenta adecuada. No use prendas sueltas ni alhajas. Mantenga el cabello, la ropa y los guantes alejados de las piezas móviles. Las prendas sueltas, las alhajas o el cabello largo pueden quedar atrapados en las piezas móviles.



## SEGURIDAD

### **4) Uso y cuidados de la herramienta eléctrica**

- a) No fuerce la herramienta eléctrica. Use la herramienta eléctrica correcta para su aplicación. Con la herramienta correcta, podrá realizar mejor el trabajo, de manera más segura y con la capacidad para la que fue diseñada.
- b) Retire el paquete de baterías de la herramienta eléctrica antes de hacer ajustes, reemplazar accesorios o guardar la herramienta. Estas medidas preventivas de seguridad disminuyen el riesgo de que la herramienta eléctrica se encienda por accidente.
- c) Guarde lejos del alcance de los niños las herramientas eléctricas que no estén en uso y no permita que personas que no estén familiarizadas con la herramienta o con estas instrucciones la operen. Las herramientas eléctricas son peligrosas si las usan personas sin la capacitación correspondiente.
- d) Mantenga las herramientas eléctricas en buen estado. Compruebe que las piezas móviles no estén torcidas ni agarrotadas, que no haya piezas rotas u otra condición que pueda afectar al funcionamiento de la herramienta eléctrica. Si presenta daños, haga que la reparen antes de usarla. Muchos accidentes ocurren debido a que las herramientas eléctricas no han recibido el mantenimiento adecuado.
- e) Use la herramienta eléctrica, las matrices, los accesorios, etc. de acuerdo con estas instrucciones, y tenga en cuenta cuáles son las condiciones de trabajo y la tarea que se realizará. Usar la herramienta eléctrica en operaciones para las que no fue diseñada podría provocar una situación peligrosa.

### **5) Uso y cuidados de la herramienta a batería**

- a) Recargue la batería únicamente con el cargador especificado por el fabricante. Un cargador apto para un tipo de paquete de baterías puede generar riesgo de incendio si se lo usa con otro tipo de paquete de baterías.
- b) Use las herramientas eléctricas solo con los paquetes de baterías específicamente designados. Si se usa cualquier otro paquete de baterías, puede haber riesgo de lesiones e incendio.
- c) Cuando el paquete de baterías no está en uso, manténgalo alejado de objetos metálicos como sujetapapeles, monedas, llaves, clavos, tornillos u otros objetos metálicos pequeños que pueden crear una conexión de un terminal a otro. Si se cortocircuitan los terminales de la batería, se pueden producir quemaduras o un incendio.
- d) En condiciones de uso indebido, es probable que se expulse líquido de la batería; evite el contacto con este. Si se produce contacto por accidente, enjuáguese con agua. Si el líquido entra en contacto con los ojos, busque además asistencia médica. El líquido que se desprende de la batería puede causar irritación o quemaduras.

### **6) Servicio**

- a) Una persona calificada especializada en reparaciones debe realizar el servicio de mantenimiento de la herramienta eléctrica únicamente con piezas de repuesto idénticas. Esto garantizará que se mantenga la seguridad de la herramienta. Comuníquese con Klein Tools para conocer los centros de servicio autorizados.

### **7) Normas específicas de seguridad adicionales**

SIEMPRE use gafas de seguridad. Las gafas de uso cotidiano NO son gafas de seguridad.

### **8) Equipos**

**ADVERTENCIA:** Siempre use protección auditiva personal que cumpla con la norma ANSI S12.6 (S3.19) mientras use la herramienta. En algunas condiciones y con el uso prolongado, el ruido producido por este producto puede contribuir a la pérdida de audición.

**PRECAUCIÓN:** Cuando no se use la herramienta, colóquela de costado sobre una superficie estable, donde no provoque tropezones ni caídas. Algunas herramientas con paquetes de baterías grandes quedan en posición vertical apoyadas sobre el paquete de baterías, pero se pueden voltear con facilidad.

## SEGURIDAD

**9) Instrucciones importantes de seguridad para todos los paquetes de baterías**

**⚠️ ADVERTENCIA: RIESGO DE CHOQUE ELÉCTRICO.** No permita que ingrese ningún tipo de líquido en el cargador. Puede producirse un choque eléctrico.

**⚠️ ADVERTENCIA: RIESGO DE QUEMADURAS.** Para disminuir el riesgo de lesiones, cargue únicamente paquetes de baterías recargables DeWALT.

Otros tipos de baterías pueden recalentarse y explotar, y provocar lesiones personales y daños materiales.

**AVISO:** En algunas condiciones, mientras el cargador está conectado a la fuente de energía, puede entrar en cortocircuito debido al contacto con materiales extraños. Los materiales extraños que son conductores, incluidos, entre otros, el polvo generado en el lijado, las virutas de metal, la lana de acero, el papel de aluminio o cualquier acumulación de partículas metálicas, se deben mantener alejados de las cavidades del cargador. Siempre desenchufe el cargador de la fuente de energía cuando no haya ningún paquete de baterías en la cavidad. Desenchufe el cargador antes de comenzar a limpiar.

- Al realizar un pedido de paquetes de baterías de repuesto, asegúrese de incluir el número de catálogo y el voltaje. Consulte la tabla que se encuentra al final de este manual para conocer la compatibilidad de los cargadores y los paquetes de baterías.
- El paquete de baterías no viene totalmente cargado de fábrica. Antes de usar el paquete de baterías y el cargador, lea las instrucciones de seguridad que se presentan a continuación y luego siga los procedimientos de carga que se describen.
- **NO** cargue ni use el paquete de baterías en atmósferas explosivas, por ejemplo, en presencia de líquidos, gases o polvo inflamables. Al insertar o extraer el paquete de baterías del cargador, se pueden encender el polvo o los vapores.
- **NUNCA** fuerce el paquete de baterías para colocarlo en el cargador. No modifique el paquete de baterías de ningún modo para que quepa en un cargador no compatible, ya que puede quebrarse y provocar lesiones personales graves. Consulte la tabla que se encuentra al final de este manual para conocer la compatibilidad de las baterías y los cargadores.
- Cargue los paquetes de baterías únicamente en los cargadores DeWALT designados.
- **NO** salpique ni sumerja el producto en agua ni en otros líquidos.
- **NO** almacene ni use la herramienta y el paquete de baterías en lugares donde la temperatura pueda alcanzar o superar los 104 °F (40 °C) (por ejemplo, en cobertizos o construcciones de metal en verano). Para que los paquetes de baterías tengan una vida útil más prolongada, almacénelos en un lugar fresco y seco. **NOTA:** No almacene los paquetes de baterías dentro de una herramienta.
- **NO** quemee el paquete de baterías aunque esté muy dañado o se haya agotado. El paquete de baterías puede explotar en contacto con el fuego. Cuando se queman paquetes de baterías de ion de litio, se generan gases y materiales tóxicos.
- Si el contenido de la batería entra en contacto con la piel, lave el área de inmediato con agua y jabón suave. Si el líquido de la batería entra en contacto con los ojos, mantenga el ojo afectado abierto y enjuáguelo con agua durante 15 minutos o hasta que la irritación desaparezca. Si se necesita atención médica, se debe informar que el electrolito de las baterías está compuesto por una mezcla de carbonatos orgánicos líquidos y sales de litio.
- El contenido de las celdas de las baterías abiertas puede producir irritación de las vías respiratorias. Proporcione aire fresco. Si los síntomas persisten, acuda a un médico.

**⚠️ ADVERTENCIA: RIESGO DE INCENDIO.** Nunca intente abrir el paquete de baterías por ningún motivo. Si la carcasa del paquete de baterías está rajada o dañada, no la inserte en el cargador. No aplaste, deje caer ni dañe el paquete de baterías. No use un paquete de baterías o un cargador que hayan recibido un golpe brusco, se hayan caído o arrollado, o estén dañados de algún modo (p. ej., perforados con un clavo, golpeados con un martillo, pisados). Los paquetes de baterías dañados se deben llevar al centro de servicio para que se los recicle.

**⚠️ ADVERTENCIA: RIESGO DE INCENDIO.** No almacene ni transporte el paquete de baterías de modo que los terminales expuestos de la batería hagan contacto con objetos metálicos. Por ejemplo, no coloque el paquete de baterías en delantales, bolsillos, cajas de herramientas, cajas con kits de productos, cajones, etc., que contengan clavos, tornillos, llaves, etc. sueltos. Al transportar baterías, se puede provocar un incendio si los terminales entran accidentalmente en contacto con materiales conductores como llaves, monedas, herramientas manuales y objetos similares. De hecho, las Regulaciones de Materiales Peligrosos (Hazardous Material Regulations, HMR) del Departamento de Transporte de los Estados Unidos prohíben el transporte de baterías en forma comercial o en aviones (p. ej., dentro de maletas o en el equipaje de mano) A MENOS que estén adecuadamente protegidas contra cortocircuitos. De modo que, cuando transporte paquetes de baterías individuales, asegúrese de que los terminales de las baterías estén protegidos y bien aislados de materiales que podrían hacer contacto con ellos y provocar un cortocircuito.

**⚠️ ADVERTENCIA: RIESGO DE QUEMADURAS.** El líquido de las baterías puede ser inflamable si se expone a chispas o llamas.

## SEGURIDAD

### 10) Instrucciones importantes de seguridad para todos los cargadores de baterías

- Antes de usar el cargador, lea todas las instrucciones y señales de advertencia que se encuentran en el cargador, el paquete de baterías y el producto en que se usa el paquete de baterías.
- **NO** intente cargar el paquete de baterías con cargadores que no sean los que se describen en este manual. El cargador y el paquete de baterías están específicamente diseñados para funcionar en conjunto.
- Estos cargadores **NO** están diseñados para ningún otro uso que no sea cargar las baterías recargables DeWALT. Si se usan para cualquier otro propósito, se puede producir riesgo de incendio, choque eléctrico o electrocución.
- **NO** exponga el cargador a la lluvia ni a la nieve.
- Al desconectar el cargador, tire del enchufe y no del cable. De este modo, disminuirá el riesgo de que se dañen el enchufe y el cable eléctricos.
- Asegúrese de que el cable esté ubicado de modo que nadie lo pise o tropiece con él, ni esté sujeto a daños ni tensiones.
- **NO** coloque ningún objeto encima del cargador ni coloque el cargador sobre una superficie blanda que pueda bloquear las ranuras de ventilación y generar una temperatura interna excesivamente alta. Ubique el cargador alejado de cualquier fuente de calor. El cargador se ventila a través de ranuras que se encuentran en la parte superior e inferior de la carcasa.
- **NO** haga funcionar el cargador con un cable o enchufe que estén dañados.
- **NO** haga funcionar el cargador si ha recibido un golpe brusco, se ha caído o está dañado de algún modo. Llévelo a un centro de servicio autorizado.
- **NO** desarme el cargador; llévelo a un centro de servicio autorizado si necesita reparación o mantenimiento. Si se lo vuelve a armar de manera incorrecta, puede haber riesgo de choque eléctrico, electrocución o incendio.
- Desconecte el cargador del tomacorriente antes de realizar cualquier tarea de limpieza. De este modo, disminuirá el riesgo de choque eléctrico. Quitar el paquete de baterías no hará que este riesgo sea menor.
- **NUNCA** intente conectar dos cargadores juntos.
- El cargador está diseñado para que funcione con energía eléctrica doméstica estándar de 120 voltios. No intente usarlo con ningún otro voltaje. (Esto no se aplica a los cargadores para vehículo).
- Al emplear un cargador en el exterior, siempre hágalo en un lugar seco y use un cable de extensión apto para exteriores. Usar este tipo de cable disminuye el riesgo de choque eléctrico.
- **NO** use un cable de extensión a menos que sea absolutamente necesario. El uso de un cable de extensión inadecuado puede dar lugar a riesgo de incendio, choque eléctrico o electrocución.
- Por seguridad, el cable de extensión debe ser del tamaño adecuado (AWG o calibre de cable estadounidense). Cuanto menor es el valor del calibre del cable, mayor es la capacidad de este; es decir, un cable de calibre 16 tiene mayor capacidad que uno de calibre 18. Un cable demasiado pequeño puede producir una caída en el voltaje de línea, lo que generaría pérdida de potencia y recalentamiento. Cuando use más de un cable de extensión para completar la longitud total, asegúrese de que cada cable de extensión individual tenga al menos el tamaño mínimo requerido. La tabla que figura a continuación muestra el tamaño correcto que se debe usar según la longitud del cable y el amperaje nominal. Si tiene dudas, use el siguiente calibre más grueso. Cuanto menor es el valor del calibre, más grueso es el cable.

Calibre mínimo para juegos de cables						
Amperaje nominal (amperios)		Voltios	Longitud total del cable			
		120 V	25' (7,6 m)	50' (15,2 m)	100' (30,5 m)	150' (45,7 m)
		240 V	50' (15,2 m)	100' (30,5 m)	200' (61,0 m)	300' (91,4 m)
Más de	No más de	AWG				
0	6	18	16	16	14	
6	10	18	16	14	12	
10	12	16	16	14	12	
12	16	14	12	<b>No se recomiendan</b>		

## SEGURIDAD

### 11) Normas específicas de seguridad adicionales

#### SIEMPRE USE EQUIPOS DE SEGURIDAD CERTIFICADOS:

- Protección para ojos que cumpla con la norma ANSI Z87.1 (CAN/CSA Z94.3).
- Protección auditiva que cumpla con la norma ANSI S12.6 (S3.19).
- Protección respiratoria aprobada por NIOSH/OSHA/MSHA.
- Use gafas de seguridad u otro tipo de protección para ojos. Las partículas proyectadas bruscamente pueden provocar daños oculares irreversibles. **SIEMPRE** use gafas de seguridad. Las gafas de uso cotidiano **NO** son gafas de seguridad. También use una máscara para el rostro o contra el polvo si la operación de corte libera polvo.
- Los accesorios y las herramientas se calientan durante la operación. Use guantes cuando los toque.
- Las ventilaciones suelen cubrir piezas móviles y deben evitarse. Las prendas sueltas, las alhajas o el cabello largo pueden quedar atrapados en las piezas móviles.
- Use abrazaderas u otro mecanismo práctico para sujetar la pieza de trabajo a una plataforma estable y sostenerla. Sostener la pieza de trabajo con las manos o contra el cuerpo genera inestabilidad y puede hacer que se pierda el control.

## INSTRUCCIONES PARA CARGAR LA BATERÍA

### Modelos de cargador de batería DCB107, DCB112, DCB113 y DCB115

- Este aparato digital Clase B cumple con la normativa canadiense ICES-003.
- Este dispositivo cumple con la Parte 15 de las normas de la FCC y con las normas RSS exentas de licencia de Industry Canada. Su funcionamiento está sujeto a las siguientes dos condiciones:
  - 1) Este dispositivo no debe provocar interferencia perjudicial, y
  - 2) este dispositivo debe aceptar cualquier interferencia recibida, incluida la que pueda causar un funcionamiento no deseado.

**NOTA:** Este dispositivo se ha probado y se determinó que cumple con los límites dispuestos para un dispositivo digital Clase B, según se estipula en la Parte 15 de las normas de la FCC. Estos límites están previstos para brindar protección razonable contra interferencia perjudicial en instalaciones residenciales. Este dispositivo genera, emplea y puede irradiar energía de radiofrecuencia y, si no se lo instala y se lo utiliza de conformidad con las instrucciones, puede causar interferencia perjudicial en las radiocomunicaciones. Sin embargo, no existen garantías de que esa interferencia no se produzca en una instalación en particular. Si este equipo ocasiona interferencia perjudicial en la recepción de radio y televisión, lo que se puede determinar apagando y encendiendo el equipo, se recomienda al usuario que intente corregir la interferencia tomando una o varias de las siguientes medidas:

- Cambie la orientación o la ubicación de la antena receptora.
- Aumente la separación entre el equipo y el receptor.
- Conecte el equipo a un tomacorriente de un circuito que no sea aquel al que está conectado el receptor.
- Consulte al distribuidor o a un técnico especializado en radio/televisión.

Todo cambio o modificación que no estén expresamente aprobados por la parte responsable de hacer cumplir las normas podría invalidar la autorización concedida al usuario para operar el equipo.

### Cargador de baterías

Para su herramienta se usa un cargador DeWALT. Asegúrese de leer todas las instrucciones de seguridad antes de usar el cargador.

1. Enchufe el cargador en un tomacorriente adecuado antes de insertar el paquete de baterías.
2. Inserte el paquete de baterías **4** en el cargador, y asegúrese de que el paquete esté correctamente colocado en el cargador. La luz roja parpadeará de forma continua, lo que indica que el proceso de carga ha comenzado.
3. Cuando la carga haya finalizado, la luz roja permanecerá encendida de forma continua. El paquete ya se ha cargado por completo y se puede usar en el momento o se lo puede dejar en el cargador.



## INSTRUCCIONES PARA CARGAR LA BATERÍA

### Indicadores de carga

El cargador está diseñado para detectar algunos problemas que se pueden presentar. Cuando hay algún problema, la luz roja parpadea a velocidad rápida. Si esto ocurre, vuelva a insertar el paquete de baterías en el cargador. Si el problema persiste, pruebe con otro paquete de baterías para determinar si el cargador funciona correctamente. Si el nuevo paquete se carga correctamente, significa que el paquete original está averiado y debe ser llevado a un centro de servicio u otro sitio de recolección para que lo reciclen. Si el nuevo paquete de baterías produce la misma indicación de falla que el original, lleve el cargador y el paquete de baterías a un centro de servicio autorizado para que los prueben.

El cargador posee los siguientes indicadores: Pack Charging (Cargando paquete), Pack Charged (Paquete cargado) y Hot/Cold Delay (Retraso por paquete caliente/frío).

**RETRASO POR PAQUETE CALIENTE/FRÍO:** Los modelos de cargadores mencionados cuentan con una función de retraso por paquete caliente/frío. Cuando el cargador detecta que la batería está demasiado caliente o demasiado fría, automáticamente inicia un retraso e interrumpe la carga. La luz roja seguirá parpadeando, pero se encenderá una luz indicadora amarilla durante esta interrupción. Una vez que la batería haya alcanzado una temperatura óptima, la luz amarilla se apagará y el cargador automáticamente reanudará el procedimiento de carga. Esta función garantiza la máxima vida útil de la batería.

**DEJAR EL PAQUETE DE BATERÍAS EN EL CARGADOR:** El cargador y el paquete de baterías pueden permanecer conectados cuando el indicador de carga muestra Pack Charged (Paquete cargado).

**PAQUETES DE BATERÍAS CON Poca CARGA:** Las baterías con poca carga seguirán funcionando, pero no se debe esperar que tengan buen rendimiento.

### PAQUETES DE BATERÍAS DEFECTUOSOS

Estos cargadores *no* cargan paquetes de baterías defectuosos. El cargador mantiene la luz apagada, lo que indica que el paquete de baterías es defectuoso. **NOTA:** Esto también podría indicar que hay algún problema con el cargador.

### MONTAJE EN LA PARED

Estos cargadores están diseñados de modo que se puedan montar en la pared o apoyar en posición vertical sobre una mesa o superficie de trabajo. Si monta el cargador en la pared, ubíquelo en un lugar cercano a un tomacorriente. Monte el cargador firmemente mediante tornillos para placa de yeso de al menos 1" (25,4 mm) de longitud, atornillados a una superficie de madera hasta una profundidad óptima y dejándolos expuestos 7/32" (5,5 mm).

### NOTAS IMPORTANTES SOBRE LA CARGA

1. Se puede lograr la máxima vida útil y el mejor rendimiento del paquete de baterías si se lo carga cuando la temperatura del aire es de 65 °F a 75 °F (de 18 °C a 24 °C). **NO** cargue el paquete de baterías si la temperatura del aire es inferior a 40 °F (4,5 °C) o superior a 104 °F (40 °C). Esto es importante y evitará que se produzcan daños graves en el paquete de baterías.
2. El cargador y el paquete de baterías pueden estar calientes al tacto durante la carga. Esta condición es normal y no indica que haya un problema. Para que el paquete de baterías se enfríe más fácilmente después del uso, evite colocar el cargador o el paquete de baterías en un ambiente cálido, como un cobertizo de metal o un remolque sin aislamiento térmico.
3. Si el paquete de baterías está frío, se cargará a aproximadamente a la mitad de la velocidad que un paquete de baterías que esté caliente. El paquete de baterías se cargará a una velocidad más baja durante todo el ciclo de carga y no alcanzará la velocidad máxima de carga aunque se caliente.
4. Si el paquete de baterías no se carga correctamente:
  - a. Verifique el funcionamiento del receptáculo enchufando una lámpara o un electrodoméstico.
  - b. Compruebe si el receptáculo está conectado a un interruptor de luz que hace que se desconecte la alimentación al apagar las luces.
  - c. Traslade el cargador y el paquete de baterías a un lugar donde la temperatura del aire circundante sea de aproximadamente 65 °F a 75 °F (de 18 °C a 24 °C).
  - d. Si persisten los problemas con la carga, lleve la herramienta, el paquete de baterías y el cargador al centro de servicio DeWALT de su localidad.
5. El paquete de baterías debe volver a cargarse si no genera suficiente potencia en tareas que anteriormente se realizaban con facilidad. **NO SIGA** usando el producto en estas condiciones. Siga el procedimiento de carga. También puede cargar un paquete usado parcialmente cuando lo desee, sin que se produzcan efectos adversos en este.
6. Los materiales extraños que son conductores, incluidos, entre otros, el polvo generado en el lijado, las virutas de metal, la lana de acero, el papel de aluminio o cualquier acumulación de partículas metálicas, se deben mantener alejados de las cavidades del cargador. Siempre desenchufe el cargador de la fuente de energía cuando no haya ningún paquete de baterías en la cavidad. Desenchufe el cargador antes de comenzar a limpiar.
7. **NO** congele ni sumerja el cargador en agua ni en otros líquidos.

## INSTRUCCIONES PARA CARGAR LA BATERÍA

**⚠️ ADVERTENCIA: RIESGO DE CHOQUE ELÉCTRICO.** NO permita que ingrese ningún tipo de líquido en el cargador. Puede producirse un choque eléctrico.

**⚠️ ADVERTENCIA: RIESGO DE QUEMADURAS.** NO sumerja el paquete de baterías en ningún líquido ni permita que penetre ningún líquido en él. Nunca intente abrir el paquete de baterías por ningún motivo. Si la carcasa plástica del paquete de baterías se rompe o se quiebra, llévela a un centro de servicio para que la reciclen.

## COLOCACIÓN Y EXTRACCIÓN DEL PAQUETE DE BATERÍAS

**NOTA:** Para obtener mejores resultados, asegúrese de que el paquete de baterías esté completamente cargado.

- Para colocar el paquete de baterías **④** en la herramienta, alinéelo con los rieles del interior del mango de esta y deslícelo por el mango hasta que esté firmemente colocado en la herramienta; asegúrese de que no se desenganche.
- Para extraer el paquete de baterías de la herramienta, presione el botón de liberación **⑤** y jale el paquete con firmeza para retirarlo del mango. Introdúzcalo en el cargador como se describe en la sección de este manual correspondiente al cargador.

**NOTA:** Luego de retirar el paquete de baterías, apriete el gatillo durante tres segundos para disipar toda carga eléctrica que pueda quedar en la herramienta.

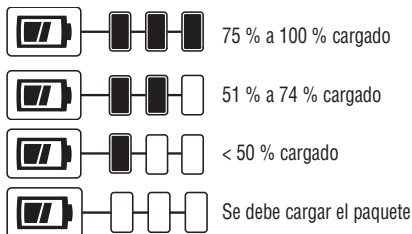


## PAQUETES DE BATERÍAS CON INDICADOR DE CARGA **⑥**

Algunos paquetes de baterías DeWalt incluyen un indicador de carga que consiste en tres luces LED verdes que indican el nivel de carga restante en el paquete de baterías. Para accionar el indicador de carga, mantenga presionado el botón del indicador de carga. Se encenderá una combinación de las luces LED verdes para señalar el nivel de carga restante. Cuando el nivel de carga de la batería esté por debajo del límite utilizable, el indicador de carga no se encenderá y se deberá recargar la batería.

**NOTA:** El indicador de carga solo señala la carga restante aproximada del paquete de baterías, como se muestra en los indicadores que figuran a continuación. **No** indica la funcionalidad de la herramienta y está sujeto a variaciones según los componentes y la temperatura del producto, y su aplicación por parte del usuario final.

Para obtener más información sobre paquetes de baterías con indicador de carga, llame al **1-800-4-DeWALT (1-800-433-9258)** o visite **www.dewalt.com**.



## INSTRUCCIONES DE OPERACIÓN

- Revise la herramienta antes y después de cada uso. **NO** utilice esta herramienta si está dañada de algún modo. Informe a los distribuidores autorizados de Klein Tools®, o comuníquese con Klein Tools, en caso de anomalías o malfuncionamiento del producto.
- Antes de usar la herramienta, verifique que no tenga piezas flojas. Se pueden producir lesiones personales si se utilizan herramientas que no han recibido el mantenimiento adecuado.
- Para evitar lesiones, mantenga las manos alejadas de la cabeza de la herramienta y de la pieza de trabajo mientras opera la herramienta.
- Retire el paquete de baterías cada vez que deba cambiar las matrices, realizar el mantenimiento de la herramienta o guardarla.

**BOTÓN DE ACCIONAMIENTO HACIA ADELANTE/ATRÁS/BLOQUEO DEL GATILLO ② (FIG. 1):** El botón tiene tres posiciones: posición de accionamiento hacia adelante (para cortar cables), posición de accionamiento hacia atrás (para retraer la cuchilla) y posición de bloqueo (bloquea el funcionamiento de la herramienta en ambas direcciones).

**NOTA:** Por motivos de seguridad, mantenga la herramienta en la posición de bloqueo cuando prepare los cables o al mover o guardar la herramienta.

**NOTA:** Para evitar dañar la batería, es posible que el cortador multicable se detenga en la mitad del corte si el voltaje de la batería desciende por debajo del nivel seguro.

**NOTA:** El cortador multicable puede detenerse si la temperatura interna aumenta considerablemente. El sistema se reiniciará en 5 segundos y la herramienta se abrirá. Una vez que haya retirado la herramienta del cable, deje pasar 30 minutos antes de reanudar el procedimiento de corte para que los componentes internos se enfríen.

### CORTE DEL CABLE (FIG. 2):

1. Con el botón en la posición de accionamiento hacia adelante, coloque el cable que desea cortar entre las cuchillas ⑨ y presione el gatillo ① para hacer avanzar la cuchilla.
2. Mantenga presionado el gatillo hasta terminar de cortar el cable.
3. Si es necesario, mueva el botón de accionamiento hacia adelante/atrás/bloqueo del gatillo a la posición de accionamiento hacia atrás para retraer la cuchilla. En los modelos de mordazas cerradas, una vez finalizado el corte, puede hacer retroceder la cuchilla para retraerla a la posición inicial, o seguir accionándola hacia adelante hasta que se desenganche de los engranajes internos. Ocurrido esto, mueva el botón de accionamiento hacia adelante/atrás/bloqueo del gatillo a la posición de bloqueo y gire la cuchilla manualmente para volver a engancharla en la herramienta. **NO** fuerce ni empuje la cuchilla para introducirla en el mecanismo de engranajes.

**GUÍAS DE LAS CUCHILLAS (solo modelos de mordazas abiertas) ⑩:** La guía de las cuchillas está diseñada para alinear los engranajes impulsores internos con las cuchillas. Como resultado, la guía de las cuchillas puede hacer ruido al engranar. Esto es normal y no daña la herramienta. Con el paso del tiempo, es posible que las guías de las cuchillas no se engranen tan fácilmente y podría ser necesario reemplazarlas. Comuníquese con Klein Tools para conocer los centros de reparación autorizados.

**ANILLOS DE ELEVACIÓN ⑦ (FIG. 3):** La herramienta cuenta con un anillo de elevación que se utiliza para trasladarla a áreas de difícil acceso. Sujete firmemente el dispositivo de elevación al anillo antes de mover la herramienta. Respete todas las normas del lugar de trabajo.

**⚠ADVERTENCIA:** Para disminuir el riesgo de que se produzcan lesiones personales graves, **NO** use el anillo de elevación para atar o sujetar la herramienta a una persona o un objeto durante su uso cuando se la eleve.

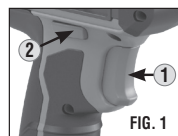


FIG. 1

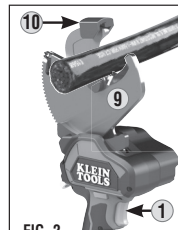


FIG. 2

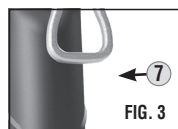


FIG. 3

## MANTENIMIENTO

- Una persona calificada especializada en reparaciones debe realizar el servicio de mantenimiento de la herramienta eléctrica únicamente con piezas de repuesto idénticas. Esto garantizará que se mantenga la seguridad de la herramienta. Comuníquese con Klein Tools para conocer los centros de servicio autorizados. Visite [www.kleintools.com](http://www.kleintools.com) para obtener el manual de servicio y la lista de piezas de repuesto.
- El cargador y el paquete de baterías **NO** se pueden reparar. Para garantizar la seguridad y confiabilidad del producto, las reparaciones, el mantenimiento y los ajustes deben ser realizados por un centro de servicio de la fábrica DeWALT, un centro de servicio autorizado por DeWALT u otro personal de servicio calificado. Siempre use piezas de repuesto idénticas.

## LIMPIEZA

### Herramienta:

- Quite la suciedad y el polvo de todas las ventilaciones con aire limpio y seco al menos una vez por semana. Para minimizar el riesgo de lesiones en los ojos, siempre use protección para ojos aprobada según la norma ANSI Z87.1 al realizar esta tarea.
- Nunca use solventes ni otros productos químicos agresivos para limpiar las partes no metálicas de la herramienta. Estas sustancias químicas pueden debilitar los materiales plásticos de estas partes. Use un paño humedecido solo con agua y jabón suave. Nunca sumerja ninguna parte de la herramienta en un líquido.

### Cargador:

**⚠ADVERTENCIA: RIESGO DE CHOQUE ELÉCTRICO.** Antes de limpiar el cargador, desconéctelo del tomacorriente de CA. La suciedad y la grasa se pueden quitar de la parte exterior del cargador con un paño o un cepillo suave no metálico. **NO** use agua ni soluciones de limpieza.

## ALMACENAMIENTO

El mejor lugar de almacenamiento es un sitio fresco y seco, alejado de la luz solar directa y del calor o frío excesivos. Si el paquete de baterías se va a almacenar por mucho tiempo, se recomienda guardarlo cargado en un lugar fresco y seco, fuera del cargador, para obtener óptimos resultados.

**NOTA:** Los paquetes de baterías no se deben almacenar completamente descargados. Se deberán recargar antes de su uso.

## GARANTÍA – CORTADOR MULTICABLE

- Una persona calificada especializada en reparaciones debe realizar el servicio de mantenimiento de su herramienta eléctrica usando únicamente piezas de repuesto idénticas. Esto garantizará que se mantenga la seguridad de la herramienta. Comuníquese con Klein Tools para conocer los centros de servicio autorizados. Visite [www.kleintools.com](http://www.kleintools.com) para obtener el manual de servicio y la lista de piezas de repuesto.
- El cargador y el paquete de baterías **NO** se pueden reparar. Para garantizar la seguridad y confiabilidad del producto, las reparaciones, el mantenimiento y los ajustes deben ser realizados por un centro de servicio de la fábrica DeWALT, un centro de servicio autorizado por DeWALT u otro personal de servicio calificado. Siempre use piezas de repuesto idénticas.
- Use solamente **Shell Telus T15** o un aceite hidráulico similar cuando cambie o agregue aceite.
- Informe a los distribuidores autorizados de Klein Tools, o comuníquese con Klein Tools, en caso de anomalías o malfuncionamiento del producto.

*Shell® y Tellus® son marcas registradas de Shell Trademark Management B.V.*

## GARANTÍA: CARGADORES Y PAQUETES DE BATERÍAS

Los cargadores **DeWALT** cuentan con la cobertura de:

**Garantía limitada de tres años:** DeWALT reparará, sin cargo, todos los defectos debidos a fallas en los materiales o la mano de obra durante tres años desde la fecha de compra. Esta garantía no cubre fallas de las piezas como consecuencia del desgaste normal o el uso incorrecto de la herramienta. Para obtener más detalles sobre la cobertura de la garantía e información sobre las reparaciones cubiertas por la garantía, visite [www.dewalt.com](http://www.dewalt.com) o llame al 1-800-4-DeWALT (1-800-433-9258). Esta garantía no se aplica a los accesorios o los daños causados por reparaciones que han hecho o intentado hacer otras personas. Esta garantía le otorga derechos legales específicos, y es posible que tenga otros derechos que varían según el estado o la provincia.

Los **paquetes de baterías** DeWALT cuentan con la cobertura de:

**Servicio de mantenimiento gratuito por dos años en los paquetes:** DCB201, DCB203, DCB203BT, DCB207.

**Servicio de mantenimiento gratuito por tres años en los paquetes:** DCB200, DCB204, DCB204BT, DCB205.

La garantía del producto quedará invalidada si el paquete de baterías se manipula indebidamente de cualquier modo. DeWALT no se responsabiliza por las lesiones causadas por la manipulación indebida y puede interponer una acción judicial por fraude a la garantía en el máximo grado permitido por la ley.

Para obtener más información sobre el servicio o las garantías de DeWALT, visite [www.dewalt.com](http://www.dewalt.com) o llame al **1-800-4-DeWALT (1-800-433-9258)**.

## ELIMINACIÓN



No arroje el equipo ni sus accesorios a la basura. Los elementos se deben desechar correctamente de acuerdo con las regulaciones locales. Para obtener más información, consulte [www.epa.gov](http://www.epa.gov) o [www.erecycle.org](http://www.erecycle.org).

## EL SELLO RBRC™

El sello RBRC™ (Rechargeable Battery Recycling Corporation) en las baterías (o paquetes de baterías) de níquel-cadmio, hidruro metálico de níquel o ion de litio indica que ya están cubiertos los costos de reciclar estas baterías (o paquetes de baterías) al final de su vida útil. En algunas áreas, es ilegal colocar baterías de níquel-cadmio, hidruro metálico de níquel o ion de litio agotadas con los residuos o en el flujo de residuos sólidos urbanos, y el programa de RBRC ofrece una alternativa respetuosa del medio ambiente.

RBRC™ ha establecido programas en los Estados Unidos y Canadá para facilitar la recolección de baterías de níquel-cadmio, hidruro metálico de níquel o ion de litio gastadas. Contribuya a proteger el medio ambiente y preservar los recursos naturales llevando las baterías de níquel-cadmio, hidruro metálico de níquel o ion de litio gastadas a un centro de servicio autorizado de DeWALT o a un comercio de su localidad para que las reciclen. También puede comunicarse con un centro de reciclaje de su localidad para obtener información sobre dónde puede dejar la batería gastada. RBRC™ es una marca registrada de la Rechargeable Battery Recycling Corporation.



**⚠️ ADVERTENCIA: RIESGO DE EXPLOSIÓN. NO QUEME EL PAQUETE DE BATERÍAS.**

**DEWALT y el logotipo DEWALT son marcas registradas de Stanley Black & Decker, Inc, o filial de esta y se utilizan bajo licencia.**

## SERVICIO AL CLIENTE

**KLEIN TOOLS, INC.**

450 Bond Street Lincolnshire, IL 60069

1-844-395-3235



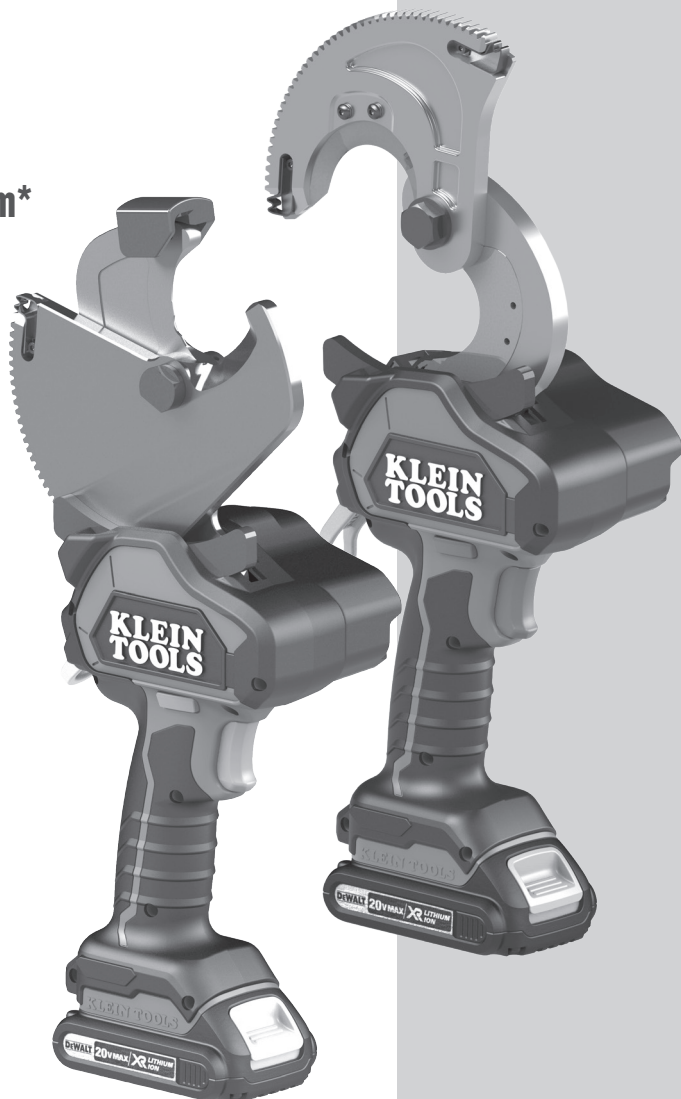
**FRANÇAIS**

## MANUEL D'UTILISATION

### Coupe-câbles à cliquet à piles

- **Lithium-ion 20 V**
- **Coupe jusqu'à :**
  - 1590 MCM ACSR\*
  - 1500 MCM aluminium\*
  - 1000 MCM cuivre\*

\* Consulter les modèles particuliers pour les capacités.



**SÉRIE BAT20-G**  
Coupe-câbles  
à cliquet

**KLEIN TOOLS** 

POWERED BY  
**DEWALT**

## CARACTÉRISTIQUES GÉNÉRALES

Le coupe-câbles à cliquet Klein Tools de série BAT20-G est conçu à des fins de coupe de câbles professionnelle.

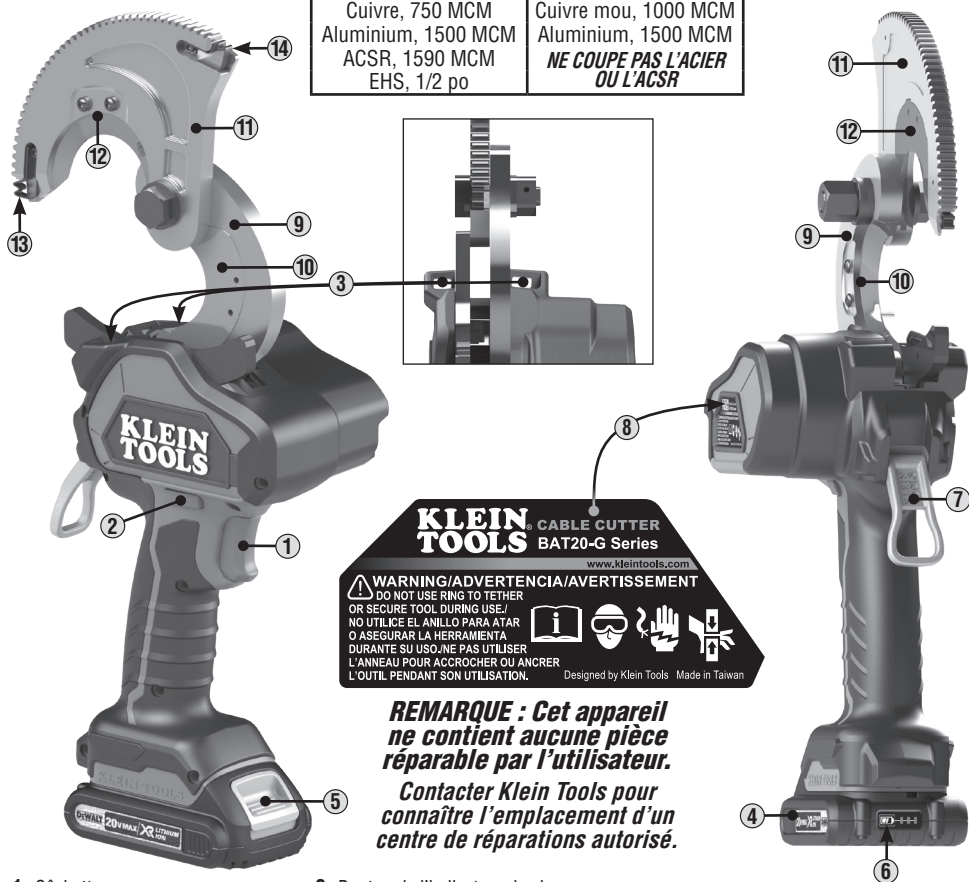
- **Source d'alimentation :** Pile Li-ion de 20 V
- **Capacité de coupe :** Pour connaître les capacités de coupe exactes de votre modèle, consulter les indications sur la lame de l'outil, ou visiter le [www.kleintools.com](http://www.kleintools.com).

Les caractéristiques techniques peuvent faire l'objet de modifications.

## CARACTÉRISTIQUES DÉTAILLÉES – MODÈLES À MÂCHOIRE FERMÉE

## CAPACITÉ NOMINALE - NE PAS DÉPASSER

MODELE BAT20-GD1	MODELE BAT20-GD10
Cuivre, 750 MCM	Cuivre mou, 1000 MCM
Aluminium, 1500 MCM	Aluminium, 1500 MCM
ACSR, 1590 MCM	<b>NE COUPE PAS L'ACIER OU L'ACSR</b>
EHS, 1/2 po	

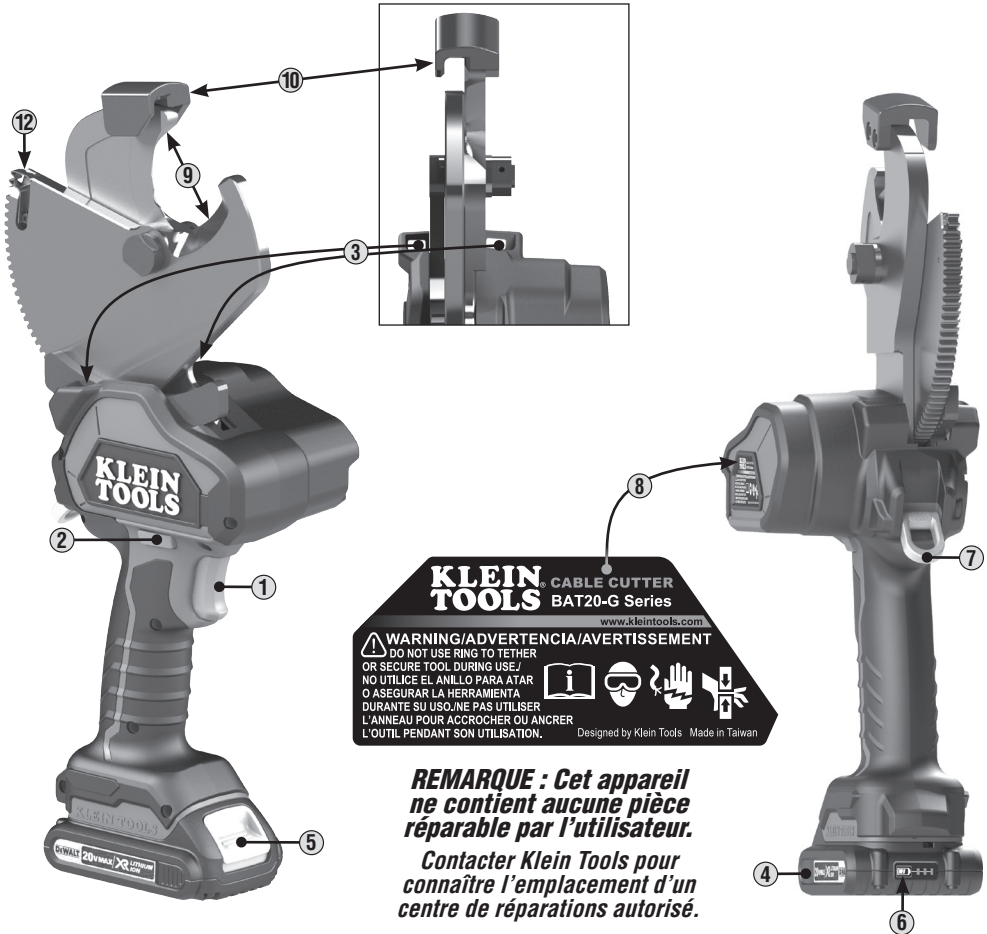


- |                                    |                                      |                               |
|------------------------------------|--------------------------------------|-------------------------------|
| 1 Gâchette                         | 6 Bouton de l'indicateur de charge   | 11 Porte-lame mobile          |
| 2 Bouton Avant/Retour/Verrouillage | 7 Anneau de levage                   | 12 Lame mobile remplaçable    |
| 3 Lampes de travail (x2)           | 8 Étiquette d'avertissement latérale | 13 Guide remplaçable – Avant  |
| 4 Bloc-piles                       | 9 Porte-lame fixe                    | 14 Guide remplaçable – Retour |
| 5 Bouton de libération de la pile  | 10 Lame fixe remplaçable             |                               |

## CARACTÉRISTIQUES DÉTAILLÉES – MODÈLE À MÂCHOIRE OUVERTE

### CAPACITÉ NOMINALE - NE PAS DÉPASSER

MODÈLE BAT20-G2	MODELE BAT20-G7
Cuivre, 400 MCM	Cuivre, 600 MCM
Aluminium, 900 MCM	Aluminium, 1000 MCM
ACSR, 795 MCM	<b>NE COUPE PAS L'ACIER OU L'ACSR</b>



- |                                    |                                      |   |
|------------------------------------|--------------------------------------|---|
| 1 Gâchette                         | 5 Bouton de libération de la pile    | 9 Lames                                     |
| 2 Bouton Avant/Retour/Verrouillage | 6 Bouton de l'indicateur de charge   | 10 Guide de lame                            |
| 3 Lampes de travail (x2)           | 7 Anneau de levage                   | 11 Guide remplaçable – Avant (non illustré) |
| 4 Bloc-piles                       | 8 Étiquette d'avertissement latérale | 12 Guide remplaçable – Retour               |

## DÉFINITIONS

Les définitions ci-dessous décrivent le niveau de gravité de chaque mot de signalisation utilisé dans ce manuel :

**DANGER** : Indique une situation de danger imminent, qui, à défaut d'être évitée, causera la mort ou des blessures sérieuses.

**AVERTISSEMENT** : Indique une situation de danger potentiel, qui, à défaut d'être évitée, pourrait causer la mort ou des blessures sérieuses.

**MISE EN GARDE** : Indique une situation de danger potentiel, qui, à défaut d'être évitée, représenterait un risque de blessures mineures ou modérées.

**AVIS** : Indique une pratique sans lien avec les blessures corporelles qui, si elle n'est pas évitée, pourrait entraîner un risque de dommages matériels.

## ⚠ AVERTISSEMENTS

- **NE PAS** utiliser dans un environnement humide ou en présence de liquides ou de gaz inflammables.
- Ce coupe-câbles est un outil électrique professionnel. **NE PAS** laisser des enfants toucher à l'outil. Toute utilisation de cet outil par des opérateurs sans expérience doit être supervisée.
- Ne jamais modifier l'outil électrique ou l'une de ses pièces. Cela pourrait entraîner des dommages ou des blessures.

## SÉCURITÉ

*Pour garantir une utilisation et un entretien sécuritaires du coupe-câbles, suivez ces instructions. Le non-respect de ces avertissements peut entraîner des chocs électriques, des incendies, des blessures graves, voire la mort.*

### 1) Sécurité de l'espace de travail

- a) Maintenir la zone de travail propre et bien éclairée. Les zones encombrées ou mal éclairées sont propices aux accidents.
- b) Ne pas utiliser d'outils électriques dans une atmosphère explosive, comme en présence de liquides, de gaz ou de poussières inflammables. Les outils électriques génèrent des étincelles qui pourraient enflammer les poussières ou les émanations de gaz.
- c) Tenir les enfants et les personnes non autorisées à l'écart lors de l'utilisation d'un outil électrique. Les distractions peuvent être à l'origine d'une perte de maîtrise.

### 2) Sécurité électrique

- a) Éviter tout contact corporel avec des objets reliés à la masse ou à la terre. Le risque de choc électrique est accru si le corps est relié à la masse ou à la terre.
- b) Ne pas exposer les outils électriques à la pluie ou à un environnement humide. Le risque de choc électrique est accru si de l'eau s'infiltrait dans un outil électrique.
- c) Prendre soin du cordon du chargeur à bloc piles. Ne jamais utiliser le cordon pour transporter, tirer ou débrancher l'outil. Tenir le cordon à l'écart de la chaleur, des huiles, des arêtes coupantes et des pièces mobiles. Les cordons endommagés ou emmêlés augmentent le risque de choc électrique.
- d) Pour utiliser le chargeur à l'extérieur, le brancher au moyen d'une rallonge conçue à cet effet. L'utilisation d'un cordon pour usage extérieur réduit le risque de choc électrique.
- e) S'il est impossible d'éviter l'utilisation d'un chargeur dans un endroit humide, utiliser une alimentation protégée par un disjoncteur de fuite à la terre (GFCI). L'utilisation d'une prise GFCI réduit le risque de choc électrique.

### 3) Sécurité individuelle

- a) La vigilance, de même qu'une attention portée à chaque geste et un bon jugement sont de mise pour l'utilisation d'un outil électrique. Ne pas utiliser un outil électrique en étant fatigué ou sous l'influence de drogues, d'alcool ou de médicaments. Un moment d'inattention lors de l'utilisation d'outils électriques peut entraîner des blessures graves.
- b) Porter l'équipement de protection individuelle requis. Toujours porter une protection oculaire. L'équipement de protection comme les masques antipoussières, les chaussures de sécurité antidérapantes, les casques de chantier ou les protections de l'ouïe, dans des conditions appropriées, réduit les blessures.
- c) Prévenir les démarrages accidentels. S'assurer que la gâchette est verrouillée avant d'insérer le bloc-piles, de prendre l'outil, ou de le transporter. Le transport d'un outil électrique en gardant le doigt sur la gâchette est un geste propice aux accidents.
- d) Ne pas travailler à bout de bras. Se maintenir dans une position stable et en équilibre en tout temps. Ces conditions favorisent une bonne maîtrise de l'outil électrique dans les situations imprévues.
- e) Porter des vêtements adéquats. Ne pas porter de vêtements amples ni de bijoux. Maintenir les cheveux, les vêtements et les gants hors de portée des pièces mobiles. Les vêtements amples, les bijoux et les cheveux longs risquent d'être happés par les pièces mobiles.

## SÉCURITÉ

### 4) Utilisation et entretien de l'outil électrique

- a) Ne pas forcer l'outil électrique. Utiliser l'outil électrique approprié à l'application considérée. À la vitesse prévue, l'outil électrique approprié produira de meilleurs résultats, dans de meilleures conditions de sécurité.
- b) Retirer le bloc-piles de l'outil électrique avant tout ajustement, changement d'accessoire ou entreposage. De telles mesures de sécurité préventives réduisent le risque d'un démarrage accidentel de l'outil électrique.
- c) Entreposer les outils électriques inutilisés hors de la portée des enfants, et interdire l'utilisation des outils électriques à toute personne qui n'est pas familiarisée avec ceux-ci ou qui n'a pas lu les présentes instructions. Les outils électriques sont dangereux entre les mains des utilisateurs non avertis.
- d) Entretien des outils électriques. S'assurer de l'absence de tout désalignement ou grippage de pièces mobiles, de toute rupture de pièce ou de toute autre condition qui pourrait nuire au fonctionnement de l'outil électrique. En cas d'endommagement, faire réparer l'outil électrique avant de l'utiliser. De nombreux accidents sont provoqués par des outils électriques mal entretenus.
- e) Utiliser l'outil électrique, les matrices, les accessoires et tout autre élément conformément aux présentes instructions, en tenant compte de leurs conditions de fonctionnement et du travail à accomplir. L'utilisation de l'outil électrique pour effectuer une opération pour laquelle il n'est pas conçu peut être à l'origine de situations dangereuses.

### 5) Utilisation et entretien de la pile

- a) Pour recharger le bloc-piles, utiliser seulement le chargeur spécifié par le fabricant. Un chargeur qui convient à un type de bloc-piles peut entraîner un risque d'incendie s'il est utilisé pour recharger un autre type de bloc-piles.
- b) Utiliser les outils électriques seulement avec les blocs-piles spécifiquement désignés pour ceux-ci. L'utilisation de tout autre bloc-piles peut entraîner un risque de blessure ou d'incendie.
- c) Lorsque le bloc-piles n'est pas en cours d'utilisation, le maintenir à distance d'objets en métal comme des trombones, des pièces de monnaie, des clous, des vis et d'autres petits objets métalliques qui pourraient connecter les bornes. Court-circuiter les bornes d'une pile pourrait causer des brûlures ou un incendie.
- d) Dans de mauvaises conditions, il est possible que du liquide soit éjecté de la pile. Dans une telle situation, éviter tout contact. En cas de contact accidentel, rincer avec de l'eau. Si le liquide entre en contact avec les yeux, consulter un médecin. Le liquide éjecté de la pile peut causer des irritations ou des brûlures.

### 6) Réparations

- a) Les réparations de l'outil électrique doivent être confiées à un technicien qualifié qui n'utilise que des pièces de rechange identiques à celles d'origine. La sûreté de l'outil électrique sera ainsi prolongée. Contacter Klein Tools pour connaître l'emplacement des centres de réparations agréés.

### 7) Règles de sécurité spécifiques supplémentaires

TOUJOURS porter des lunettes de sécurité. Les lunettes de tous les jours NE sont PAS des lunettes de sécurité.

### 8) Équipement

**AVERTISSEMENT** : Toujours porter une protection individuelle de l'ouïe conforme à la norme ANSI S12.6 (S3.19) durant l'utilisation. Dans certaines conditions et selon la durée d'utilisation, le bruit causé par ce produit peut contribuer à une perte auditive.

**MISE EN GARDE** : En dehors des périodes d'utilisation, ranger l'outil sur le côté sur une surface stable où il ne présente pas de risque d'accrochage et de chute. Certains outils dotés d'un gros bloc-piles peuvent tenir debout sur celui-ci, mais ils sont faciles à renverser.

## SÉCURITÉ

**9) Instructions de sécurité importantes pour tous les blocs-piles**

**⚠️ AVERTISSEMENT : RISQUE DE CHOC ÉLECTRIQUE.** Ne pas laisser de liquide s'infiltrer dans le chargeur. Cela pourrait causer un choc électrique.

**⚠️ AVERTISSEMENT : RISQUE DE BRÛLURES.** Pour réduire le risque de blessure, ne recharger que des blocs-piles rechargeables DeWALT.

Tous les autres types de piles pourraient surchauffer et exploser, entraînant des blessures corporelles et des dommages matériels.

**AVIS :** Dans certaines conditions, un chargeur branché dans une source d'alimentation pourrait être court-circuité par une matière étrangère. Les matières étrangères conductrices, notamment la poussière de meulage, les copeaux métalliques, la laine d'acier, le papier d'aluminium ou toute autre accumulation de particules métalliques, devraient être gardées à l'écart du logement à bloc-piles. Toujours débrancher le chargeur de la source d'alimentation lorsqu'aucun bloc n'y est logé. Débrancher le chargeur avant de tenter de le nettoyer.

- Au moment de commander des blocs-piles de recharge, prendre soin d'inclure le numéro de catalogue et la tension. Consulter le tableau à la fin du présent manuel pour connaître la compatibilité des chargeurs et des blocs-piles.
- Le bloc-piles ne vient pas avec une charge pleine. Avant d'utiliser le bloc-piles et le chargeur, lire les instructions de sécurité ci-dessous et suivre les procédures de recharge.
- **NE PAS** charger ou utiliser le bloc-piles dans une atmosphère explosive, par exemple, s'il y a présence de liquides, de gaz ou de poussières inflammables. Insérer le bloc-piles dans le chargeur ou retirer celui-ci pourrait enflammer les poussières ou les émanations de gaz.
- **NE JAMAIS** forcer le bloc-piles à entrer dans le chargeur. Ne pas modifier le bloc-piles de quelque façon pour le faire entrer dans un chargeur non compatible, car la pile pourrait se fendre et causer des blessures graves. Consulter le tableau à la fin du présent manuel pour connaître la compatibilité entre les piles et les chargeurs.
- Charger les blocs-piles uniquement à l'aide des chargeurs DeWalt désignés.
- **NE PAS** immerger ce produit dans l'eau ou dans d'autres liquides.
- **NE PAS** ranger ou utiliser l'outil et le bloc-piles dans des endroits où la température peut atteindre ou dépasser 40 °C (104 °F) (par exemple, dans les cabanons ou les bâtiments en métal en été). Pour une durée de vie optimale, entreposer les blocs-piles dans un endroit frais et sec. **REMARQUE :** Ne pas ranger les blocs-piles dans un outil.
- **NE PAS** incinérer le bloc-piles même s'il est gravement endommagé ou complètement usé. Le bloc-piles peut exploser dans un feu. Des émanations de gaz et de substances toxiques sont libérées par la combustion des blocs-piles au lithium-ion.
- Si le contenu de la pile entre en contact avec la peau, laver la zone immédiatement avec du savon doux et de l'eau. Si le liquide de la pile s'infiltré dans un œil, rincer l'œil ouvert avec de l'eau pendant 15 minutes ou jusqu'à ce que l'irritation cesse. S'il est nécessaire de consulter un médecin, l'électrolyte de la pile est composé de carbonates organiques et de sels de lithium.
- Le contenu des piles ouvertes pourrait irriter les voies respiratoires. Amener la personne exposée à l'air frais. Si les symptômes persistent, consulter un médecin.

**⚠️ AVERTISSEMENT : RISQUE D'INCENDIE.** Ne jamais tenter d'ouvrir le bloc-piles, peu importe la raison. Si le boîtier du bloc-piles est fendu ou endommagé, ne pas insérer celui-ci dans le chargeur. Ne pas écraser, laisser tomber ou endommager le bloc-piles. Ne pas utiliser un bloc-piles ou un chargeur qui a été percuté par un objet pointu, qui a subi une chute ou qui a été écrasé ou autrement endommagé (p. ex. percé par un clou, heurté par un marteau, piétiné). Les blocs-piles endommagés doivent être retournés au centre de réparations pour être recyclés.

**⚠️ AVERTISSEMENT : RISQUE D'INCENDIE.** Ne pas entreposer ou transporter le bloc-piles dans des conditions où des objets métalliques pourraient créer un contact entre les bornes exposées de la pile. Par exemple, ne pas placer le bloc-piles dans des tabliers, des poches, des coffres à outils, des boîtes ou trousse de produits, des tiroirs ou autres lorsqu'ils contiennent des objets libres comme des clous, des vis ou des clés. Le transport de piles pourrait causer des incendies si par inadvertance les bornes entraient en contact avec des objets conducteurs comme des clés, des pièces de monnaie, des outils manuels, etc. Le règlement sur les matières dangereuses (Hazardous Material Regulations, HMR) du Ministère des transports des États-Unis interdit le transport commercial ou par avion (comme dans les valises et les bagages à main) de piles, À MOINS qu'elles soient adéquatement protégées contre les courts-circuits. Donc, pour transporter un bloc-piles, veiller à ce que les bornes soient protégées et bien isolées des matériaux conducteurs avec lesquels elles pourraient entrer en contact et provoquer un court-circuit.

**⚠️ AVERTISSEMENT : RISQUE DE BRÛLURES.** Le liquide de la pile peut être inflammable s'il est exposé à une étincelle ou à une flamme.

## SÉCURITÉ

### 10) Instructions de sécurité importantes pour tous les chargeurs

- Avant d'utiliser le chargeur, lire toutes les instructions et les avertissements indiqués sur le chargeur, le bloc-piles et le produit pour lequel le bloc-piles est utilisé.
- **NE PAS** tenter de charger le bloc-piles à l'aide d'un chargeur qui n'est pas mentionné dans le présent manuel. Le chargeur et le bloc-piles sont conçus spécifiquement pour fonctionner ensemble.
- Ces chargeurs ne sont conçus pour AUCUNE autre utilisation, quelle qu'elle soit, que la recharge des piles rechargeables DeWALT. Toute autre utilisation peut entraîner des risques d'incendie, de choc électrique ou d'électrocution.
- **NE PAS** exposer le chargeur à la pluie ou à la neige.
- Tirer sur la fiche, et non sur le cordon, pour débrancher le chargeur. Cela réduit les risques d'endommager la fiche ou le cordon.
- Veiller à ce que le cordon soit placé à l'abri du piétinement, des accrochages et de tout autre dommage ou tension.
- **NE PAS** placer d'objet sur le chargeur ou placer le chargeur sur une surface molle qui pourrait obstruer les fentes d'aération et entraîner une surchauffe intérieure. Placer le chargeur loin de toute source de chaleur. Le chargeur est aéré par le biais de fentes sur le dessus et en dessous du boîtier.
- **NE PAS** faire fonctionner le chargeur si la fiche ou le cordon est endommagé.
- **NE PAS** faire fonctionner le chargeur s'il a été percuté par un objet pointu ou s'il a subi une chute ou tout autre dommage. L'apporter à un centre de réparations agréé.
- **NE PAS** démonter le chargeur; l'apporter à un centre de réparations agréé lorsqu'un entretien ou une réparation est nécessaire. Un montage inadéquat pourrait entraîner un risque de choc électrique, d'électrocution ou d'incendie.
- Débrancher le chargeur de la prise avant de tenter tout nettoyage. Cela permet de réduire le risque de choc électrique. Le retrait du bloc-piles ne réduit pas le risque.
- **NE JAMAIS** tenter de brancher deux chargeurs ensemble.
- Le chargeur est conçu pour être alimenté par une prise résidentielle de 120 volts ordinaire. Ne pas tenter d'alimenter le chargeur à une autre tension. (Cette instruction ne s'applique pas aux chargeurs conçus pour les véhicules.)
- Pour utiliser un chargeur à l'extérieur, le placer dans un endroit sec en tout temps et le brancher au moyen d'une rallonge conçue à cet effet. L'utilisation d'un cordon pour usage extérieur réduit le risque de choc électrique.
- **NE PAS** utiliser de rallonge sous réserve de nécessité absolue. Toute utilisation inadéquate d'une rallonge peut entraîner des risques d'incendie, de choc électrique ou d'électrocution.
- La rallonge doit être d'un calibre adéquat (AWG) pour la sécurité. Plus le numéro de calibre du fil est petit, plus la capacité du câble est grande; autrement dit, la capacité d'un fil de calibre 16 est plus grande que celle d'un fil de calibre 18. Un cordon petit diminue la tension de la ligne, ce qui entraîne une perte de puissance et des surchauffes. En cas d'utilisation de plus d'une rallonge pour constituer la longueur totale du cordon, s'assurer que le calibre de chaque rallonge est égal ou plus grand que le minimum. Le tableau ci-dessous indique les tailles adéquates selon la longueur de cordon et l'intensité nominale de la plaque signalétique. Dans le doute, choisir le calibre supérieur suivant. Plus le numéro de calibre est bas, plus le cordon est gros :

<b>Calibre minimum pour les ensembles de cordons</b>						
<b>Intensité nominale (ampères)</b>		<b>Volts</b>	<b>Longueur totale du cordon</b>			
		<b>120 V</b>	7,6 m (25 pi)	15,2 m (50 pi)	30,5 m (100 pi)	45,7 m (150 pi)
		<b>240 V</b>	15,2 m (50 pi)	30,5 m (100 pi)	61,0 m (200 pi)	91,4 m (300 pi)
<b>Plus que</b>	<b>Pas plus que</b>	<b>AWG</b>				
0	6	18	16	16	14	
6	10	18	16	14	12	
10	12	16	16	14	12	
12	16	14	12	<b>Non recommandé</b>		

## SÉCURITÉ

**11) Règles de sécurité spécifiques supplémentaires****TOUJOURS PORTER DE L'ÉQUIPEMENT DE SÉCURITÉ HOMOLOGUÉ :**

- Protection des yeux ANSI Z87.1 (CAN/CSA Z94.3).
- Protection de l'ouïe ANSI S12.6 (S3.19).
- Protection respiratoire NIOSH/OSHA/MSHA.
- Porter des lunettes de sécurité ou une autre protection des yeux. Les éclats projetés peuvent causer des dommages oculaires permanents. **TOUJOURS** porter des lunettes de sécurité. Les lunettes de tous les jours **NE** sont **PAS** des lunettes de sécurité. Aussi, utiliser une visière ou un masque antipoussières si le travail de coupe génère de la poussière.
- Les accessoires et les outils deviennent chauds durant les travaux. Porter des gants pour les toucher.
- Les événements couvrent souvent des pièces mobiles et devraient être évités. Les vêtements amples, les bijoux et les cheveux longs risquent d'être happés par les pièces mobiles.
- Utiliser des serre-câbles ou d'autres méthodes pratiques afin d'assurer une plateforme stable pour fixer et soutenir la pièce sur laquelle vous travaillez. Tenir la pièce à la main ou contre votre corps est une méthode instable qui peut entraîner une perte de maîtrise.

## INSTRUCTIONS DE CHARGEMENT DES BLOCS-PILES

**Modèles de chargeur DCB107, DCB112, DCB113 et DCB115**

- Cet appareil numérique de classe B est conforme à la norme canadienne NMB-003.
- Cet appareil est conforme à la partie 15 des règles de la FCC ainsi qu'à la norme CNR d'Industrie Canada portant sur les appareils exempts de licence. Son fonctionnement est soumis aux deux conditions suivantes :

- 1) il ne peut causer d'interférences nuisibles;
- 2) il doit accepter toute interférence reçue, notamment celles pouvant entraîner un fonctionnement indésirable.

**REMARQUE :** Cet appareil a fait l'objet d'essais prouvant qu'il respecte les limites imposées aux appareils numériques de classe B, conformément à la partie 15 des règles de la FCC. Ces limites sont destinées à fournir une protection raisonnable contre les interférences nuisibles dans une installation résidentielle. Cet appareil génère, utilise et peut émettre des radiofréquences; s'il n'est pas installé et utilisé conformément à ces instructions, il peut causer des interférences nuisibles aux communications radio. Il n'existe toutefois aucune garantie que des interférences ne se produiront pas dans une installation particulière. Si l'appareil cause des interférences nuisibles à la réception des signaux de radio ou de télévision, ce qui peut être déterminé en éteignant et en allumant l'appareil, l'utilisateur peut tenter de corriger la situation par un ou plusieurs des moyens suivants :

- Réorienter ou relocaliser l'antenne réceptrice.
- Augmenter la distance entre l'appareil et le récepteur.
- Brancher l'appareil dans une prise ou sur un circuit électrique différent de celui où le récepteur est branché.
- Demander de l'aide au détaillant ou à un technicien expérimenté en radio ou en télévision.

Tout changement apporté sans qu'il soit expressément approuvé par la partie responsable de la conformité peut annuler le droit de l'utilisateur d'utiliser l'appareil.

**Chargement du bloc-piles**

Votre outil requiert un chargeur DeWALT. Bien lire toutes les instructions de sécurité avant d'utiliser votre chargeur.

1. Brancher le chargeur dans une prise adéquate avant de l'insérer dans le bloc-piles.
2. Insérer le bloc-piles ④ dans le chargeur en le poussant le plus loin possible. La lumière rouge clignotera continuellement, ce qui indique que le processus de chargement est commencé.
3. Lorsque la charge sera terminée, un témoin rouge s'allumera en continu. Le bloc est complètement chargé et peut maintenant être utilisé ou laissé dans le chargeur.





## INSTRUCTIONS DE CHARGEMENT DU BLOC-PILES

### Indicateurs de charge

Ce chargeur est conçu pour détecter certains problèmes éventuels. Le témoin rouge clignotant rapidement indique qu'il y a un problème. Si cela se produit, réinsérer le bloc-piles dans le chargeur. Si le problème persiste, essayer un autre bloc-piles pour déterminer si le chargeur fonctionne correctement. Si le nouveau bloc se recharge correctement, cela signifie que l'original est défectueux et qu'il doit donc être rapporté à un centre de réparations ou à un autre point de collecte afin d'être recyclé. Si le chargeur indique le même problème avec le nouveau bloc-piles, faire tester le chargeur et le bloc-piles à un centre de réparations agréé.

Le chargeur comprend les témoins suivants : Bloc en chargement, Bloc rechargé, Arrêt trop chaud/froid.

**ARRÊT TROP CHAUD/FROID :** Les chargeurs des modèles susmentionnés ont une fonctionnalité d'arrêt trop chaud/froid. Lorsque le chargeur détecte une pile trop chaude ou trop froide, il interrompt automatiquement et momentanément le chargement. Le témoin rouge continue de clignoter, mais un indicateur jaune s'allume pendant l'interruption. Une fois que la pile a atteint une température optimale, le témoin jaune s'éteint et le chargeur reprend automatiquement le processus de chargement. Cette fonctionnalité garantit une durée de vie maximale de la pile.

**LAISSER LE BLOC-PILES DANS LE CHARGEUR :** Le bloc-piles peut rester branché dans le chargeur même lorsque le témoin de charge indique que le bloc est rechargé.

**BLOC-PILES FAIBLE :** Les piles faibles continueront de fonctionner, mais il faut s'attendre à une diminution de leur capacité.

### BLOC-PILES DÉFECTUEUX

Ces chargeurs *ne* chargeront *pas* un bloc-piles défectueux. Le chargeur indiquera qu'un bloc-piles est défectueux en n'allumant pas. **REMARQUE :** Ceci pourrait également indiquer un problème de chargeur.

### MONTAGE AU MUR

Ces chargeurs sont conçus pour pouvoir être fixés au mur ou pour se tenir droits sur une table ou une surface de travail. Pour le montage au mur, placer le chargeur assez près d'une prise électrique pour pouvoir le brancher. Fixer le chargeur fermement en utilisant des vis pour cloisons sèches d'une longueur minimum de 25,4 mm (1 po), vissées dans le bois, pour une profondeur optimale, en laissant environ 5,5 mm (7/32 po) de la vis à découvert.

### REMARQUES IMPORTANTES SUR LE CHARGEMENT

1. Pour une durée de vie et une performance optimales, charger le bloc-piles à une température ambiante entre 18 °C et 24 °C (65 °F et 75 °F). **NE PAS** charger le bloc-piles à une température ambiante inférieure à 4,5 °C (40 °F) ou supérieure à 40 °C (104 °F). C'est important et cela évitera d'endommager gravement le bloc-piles.
2. Le chargeur et le bloc-piles peuvent devenir chauds au toucher pendant le chargement. Cela est normal et n'indique aucun problème. Afin de faciliter le refroidissement du bloc-piles après utilisation, éviter de placer le chargeur ou le bloc-piles dans un endroit chaud comme une remise en métal ou une remorque sans isolation.
3. Un bloc-piles froid se rechargera environ deux fois moins rapidement qu'un bloc-piles chaud. Il se rechargera moins rapidement durant tout le chargement et ne retrouvera pas sa vitesse de chargement maximum, même s'il se réchauffe.
4. Si le bloc-piles ne se recharge pas correctement :
  - a. Vérifier le fonctionnement de la prise en y branchant une lampe ou un autre électroménager;
  - b. Vérifier si la prise est contrôlée par un interrupteur d'éclairage qui coupe l'alimentation aux prises électrique lorsqu'on éteint les lumières;
  - c. Déplacer le chargeur et le bloc-piles à un endroit où la température ambiante se situe environ entre 18 °C et 24 °C (65 °F et 75 °F);
  - d. Si le problème de chargement persiste, apporter l'outil, le bloc-piles et le chargeur à votre centre de réparations local DeWALT.
5. Le bloc-piles doit être rechargé lorsqu'il n'arrive pas à produire suffisamment de puissance pour réaliser les travaux autrement faciles à effectuer. **NE PAS CONTINUER** de l'utiliser dans ces circonstances. Suivre la procédure de chargement. Il est également possible de recharger un bloc-piles partiellement déchargé à tout moment sans lui causer de dommage.
6. Les matières étrangères conductrices, notamment la poussière de meulage, les copeaux métalliques, la laine d'acier, le papier d'aluminium ou toute autre accumulation de particules métalliques, doivent être gardées hors de portée du logement à piles. Toujours débrancher le chargeur de la source d'alimentation lorsqu'aucun bloc n'y est logé. Débrancher le chargeur avant de tenter de le nettoyer.
7. **NE PAS** geler le chargeur ni l'immerger dans l'eau ou dans tout autre liquide.

## INSTRUCTIONS DE CHARGEMENT DES BLOCS-PILES

**⚠️ AVERTISSEMENT : RISQUE DE CHOC ÉLECTRIQUE. NE PAS** laisser de liquide s'infiltrer dans le chargeur. Cela pourrait causer un choc électrique.

**⚠️ AVERTISSEMENT : RISQUE DE BRÛLURES. NE PAS** immerger le bloc-piles dans quelque liquide que ce soit et ne laisser aucun liquide entrer dans le bloc-piles. Ne jamais tenter d'ouvrir le bloc-piles, peu importe la raison. Si le revêtement du bloc-piles se brise ou se fissure, le rapporter à un centre de réparations afin qu'il soit recyclé.

## INSÉRER ET RETIRER LE BLOC-PILES

**REMARQUE :** Pour obtenir des résultats optimaux, s'assurer que votre bloc-piles est entièrement chargé.

- Pour insérer le bloc-piles **④** dans l'outil, aligner le bloc-piles avec les rails à l'intérieur de la poignée de l'outil et le glisser dans la poignée jusqu'à ce qu'il soit installé fermement, puis s'assurer qu'il ne se dégage pas.
- Pour retirer le bloc-piles de l'outil, appuyer sur le bouton de libération **⑤** et tirer le bloc-piles fermement hors de la poignée de l'outil. L'insérer dans le chargeur, comme indiqué dans la section de ce manuel relative au chargeur.

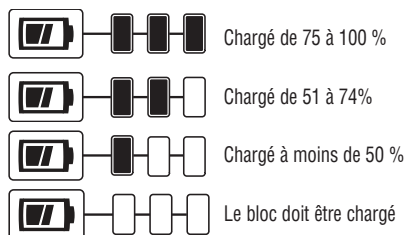
**REMARQUE :** Après avoir retiré le bloc-piles, presser la gâchette pendant trois secondes afin d'éliminer toute charge électrique résiduelle dans l'outil.

BLOCS-PILES AVEC INDICATEUR DE CHARGE **⑥**

Certains blocs-piles DeWALT comprennent un indicateur de charge constitué de trois témoins à DEL verts qui indiquent leur niveau de charge restante. Pour actionner l'indicateur de charge, appuyer sur le bouton de l'indicateur de charge et le maintenir enfoncé. Le nombre de témoins à DEL verts qui s'allumeront parmi les trois indiquera le niveau de charge restante. Lorsque le niveau de charge de la pile est en deçà de la limite utilisable, l'indicateur de charge ne s'allume pas et la pile doit être rechargée.

**REMARQUE :** L'indicateur de charge est approximatif. Le niveau de charge du bloc-piles correspond aux indications illustrées ci-contre. Il n'indique *pas* si les outils fonctionnent, et il est susceptible de varier en fonction des composants du produit, de la température et des applications de l'utilisateur.

Pour de plus amples renseignements sur les blocs-piles avec indicateur de charge, appeler au **1-800-4-DeWALT (1-800-433-9258)** ou visiter le **www.dewalt.com**.



## INSTRUCTIONS D'UTILISATION

- Inspecter l'outil avant et après chaque utilisation. **NE PAS** utiliser l'outil s'il est endommagé. En cas d'anomalie ou de défaillance du produit, contacter Klein Tools® ou l'un de ses distributeurs autorisés.
- Vérifier que toutes les pièces sont bien fixées avant d'utiliser l'outil. L'utilisation d'outils mal entretenus peut engendrer des blessures.
- Pour éviter les blessures, garder les mains éloignées de la tête de l'outil et de la pièce en cours d'utilisation.
- Retirer le bloc-piles lors du remplacement des matrices et de l'entretien ou de l'entreposage de l'outil.

**BOUTON AVANT/RETOUR/VERROUILLAGE** (2) (FIG. 1) : Ce bouton présente trois paramètres : Avant (pour entailler les câbles), Retour (pour ramener la lame) et Verrouillage (pour empêcher l'outil de fonctionner dans une direction ou l'autre).

**REMARQUE** : Pour des raisons de sécurité, garder l'outil en position verrouillée durant la préparation du câble et lors du déplacement et de l'entreposage.

**REMARQUE** : Pour éviter d'endommager la pile, le coupe-câbles peut s'interrompre durant la coupe si l'alimentation de la pile descend sous le niveau sécuritaire.

**REMARQUE** : Le coupe-câbles peut s'éteindre si sa température interne devient trop élevée. Le système prendra alors 3 secondes pour permettre à l'outil de s'ouvrir. Une fois l'outil séparé du câble, attendre 30 minutes avant de continuer la coupe pour que les composants internes refroidissent.

**COUPE DE CÂBLES** (FIG. 2) :

1. Quand le bouton est en position Avant, disposer le câble à couper entre les lames (9) et appuyer sur la gâchette (1) pour faire avancer les lames de coupe.
2. Garder la gâchette enfoncée jusqu'à ce que le câble soit complètement coupé.
3. Au besoin, placer le bouton Avant/Retour/Verrouillage en position Retour pour rétracter la lame. Remarque pour les modèles à mâchoire fermée : une fois la coupe terminée, il est possible de mettre le bouton en position Retour pour que la lame retourne à sa position d'origine, ou alors de continuer à avancer la lame jusqu'à ce qu'elle se dégage de ses engrenages internes. Dans un tel cas, mettre le bouton en position Verrouillage et faire pivoter manuellement la lame de coupe pour la replacer dans l'outil. **NE PAS** forcer ou pousser la lame dans le mécanisme de l'outil.

**GUIDE DE LAME (modèles à mâchoire ouverte seulement)** (10) : Le guide de lame est conçu pour faciliter l'alignement des roues menantes internes avec les lames de coupe. Il est normal que le guide produise un bruit lors de l'engagement, il n'y a pas de risque d'endommager l'outil. Avec le temps, le guide de lame peut devenir plus difficile à utiliser et donc devoir être remplacé. Communiquer avec Klein Tools pour connaître un centre de réparation autorisé.

**ANNEAU DE LEVAGE** (7) (FIG. 3) : L'anneau de levage sert à transporter l'outil dans les endroits difficiles d'accès. Attacher fermement l'appareil de levage à l'anneau avant de déplacer l'outil. Suivre toutes les règles en vigueur sur le lieu de travail.

**AVERTISSEMENT** : Afin de réduire le risque de blessures graves, **NE PAS** utiliser les anneaux de levage pour serrer ou attacher l'outil sur une personne ou sur un objet lorsqu'il est en cours d'utilisation en hauteur.

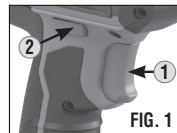


FIG. 1

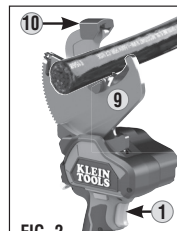


FIG. 2



FIG. 3

## ENTRETIEN

- Les réparations de l'outil électrique doivent être confiées à un technicien qualifié qui n'utilise que des pièces de rechange identiques à celles d'origine. La sûreté de l'outil électrique sera ainsi prolongée. Contacter Klein Tools pour connaître l'emplacement des centres de réparations agréés. Le manuel d'entretien et la liste des pièces de rechange peuvent être consultés au [kleintools.com](http://kleintools.com).
- Le chargeur et le bloc-piles **NE** peuvent **PAS** être réparés. Afin de garantir la sécurité et la fiabilité des produits, les réparations, l'entretien et les ajustements doivent être effectués dans un centre de réparations d'usine DeWALT, dans un centre de réparations autorisé par DeWALT ou par d'autres techniciens qualifiés pour la réparation. Toujours utiliser des pièces de rechange identiques à celles d'origine.

## NETTOYAGE

**Outils :**

- Retirer la saleté et la poussière de tous les événements y soufflant de l'air propre et sec au moins une fois par semaine. Afin de minimiser le risque de blessure aux yeux, toujours porter une protection oculaire approuvée par la norme ANSI Z87.1 lorsque vous effectuez ce processus.
- Ne jamais utiliser de solvants ou d'autres produits chimiques forts pour nettoyer les pièces non métalliques de l'outil. Ces produits chimiques risquent d'affaiblir les matériaux plastiques utilisés dans la fabrication de ces pièces. Utiliser un linge imbibé d'eau ou de savon doux seulement. Ne jamais immerger une pièce de l'outil dans un liquide.

**CHARGEUR :**

**AVERTISSEMENT : RISQUE DE CHOC ÉLECTRIQUE.** Débrancher le chargeur de la prise c.a. avant de le nettoyer. La saleté et la graisse sur l'extérieur du chargeur peuvent être enlevées au moyen d'un linge ou une brosse souple non métallique. **NE PAS** utiliser d'eau ni de solution nettoyante.

## RANGEMENT

L'endroit idéal pour le ranger est au frais et au sec, loin des rayons du soleil et de la chaleur ou du froid excessifs. Pour des résultats optimaux, il est recommandé de sortir le bloc-piles complètement rechargé du chargeur et de le placer dans un endroit frais et sec lors d'un entreposage à long terme. **REMARQUE** : Les blocs-piles ne devraient pas être entreposés dans un état complètement déchargé. Le bloc-piles devra être rechargé avant d'être utilisé.

## GARANTIE – COUPE-CÂBLES

Les outils électriques à piles fabriqués par Klein Tools et vendus à des fins commerciales ou industrielles sont garantis exempts de tout défaut, tant dans les matériaux utilisés que dans leur fabrication.

AUCUNE GARANTIE DE COMMERCIALITÉ NI D'ADAPTATION À UNE FIN PARTICULIÈRE NE S'APPLIQUE. À sa discrétion, Klein réparera, remplacera ou remboursera tout produit qui ne respecterait pas cette garantie dans des conditions normales d'utilisation et d'entretien. Cet outil ne contient aucune pièce réparable par l'utilisateur. Cette garantie ne s'applique pas si des réparations ou des tentatives de réparation ont été faites par des centres de réparations non agréés par Klein Tools, si l'outil a été modifié, mal utilisé ou utilisé de manière abusive.

KLEIN TOOLS NE PEUT EN AUCUN CAS ÊTRE TENU RESPONSABLE DE DOMMAGES ACCESSOIRES OU INDIRECTS. Certains États ne permettent pas l'exclusion ou la restriction des dommages accessoires ou indirects, alors la restriction ou l'exclusion ci-dessus pourrait ne pas s'appliquer à vous.

Pour de plus amples renseignements, consultez le site [www.kleintools.com/warranty](http://www.kleintools.com/warranty).

## GARANTIE – CHARGEURS ET BLOCS-PILES

Les chargeurs DeWALT sont couverts par :

**Une garantie limitée de trois ans :** DeWALT réparera sans frais toute défectuosité résultant d'un défaut de fabrication ou de matériel, pendant trois ans à partir de la date d'achat. Cette garantie ne couvre pas la défectuosité des pièces causée par l'usure normale ou l'utilisation abusive de l'outil. Pour obtenir des détails supplémentaires sur la couverture de la garantie et des renseignements sur les réparations couvertes, consulter le [www.dewalt.com](http://www.dewalt.com) ou appeler au 1-800-4-DeWALT (1-800-433-9258). Cette garantie ne s'applique pas aux accessoires ni aux dommages si des réparations ou des tentatives de réparation ont été faites par d'autres. Cette garantie vous confère des droits reconnus par la loi et vous pourriez en avoir d'autres puisqu'ils varient dans certains États ou certaines provinces.

Les blocs-piles DeWALT sont couverts par :

**Le service gratuit pendant deux ans sur les blocs-piles :** DCB201, DCB203, DCB203BT, DCB207.

**Le service gratuit pendant trois ans sur les blocs-piles :** DCB200, DCB204, DCB204BT, DCB205.

La garantie du produit est nulle si le bloc-piles est modifié de quelque façon. DeWalt n'est pas responsable des blessures causées par une telle altération et peut poursuivre quiconque falsifie la garantie, et ce dans toute la mesure permise par la loi.

Pour de plus amples renseignements sur le service et les garanties de DeWALT, visiter le [www.dewalt.com](http://www.dewalt.com) ou appeler au **1-800-4-DeWALT (1-800-433-9258)**.

## ÉLIMINATION



Ne mettez pas l'appareil et ses accessoires au rebut. Ces articles doivent être éliminés conformément aux règlements locaux. Pour de plus amples renseignements, consultez les sites [www.epa.gov](http://www.epa.gov) ou [www.ecycle.org](http://www.ecycle.org).

### LE SCEAU DE LA RBRC<sup>MC</sup>

Le sceau de la RBRC<sup>MC</sup> (Société de recyclage de piles rechargeables) sur les piles au nickel-cadmium, au nickel-métal-hydrure ou au lithium-ion (ou blocs-piles) indique que le coût de recyclage de ces piles (ou blocs-piles) à la fin de leur vie utile a déjà été payé. Dans certains endroits, il est interdit de jeter des piles au nickel-cadmium, au nickel-métal-hydrure ou au lithium-ion usées dans les poubelles ou dans le flux de déchets solides des municipalités et le programme de la RBRC offre une solution respectueuse de l'environnement.

La RBRC<sup>MC</sup> a établi des programmes aux États-Unis et au Canada afin de faciliter la collecte de piles au nickel-cadmium, au nickel-métal-hydrure ou au lithium-ion usées. Pour aider à protéger notre environnement et à conserver les ressources naturelles, rapporter les piles au nickel-cadmium, au nickel-métal-hydrure ou au lithium-ion usées à un centre de réparations agréé DeWALT ou à un détaillant local pour qu'elles soient recyclées. Il est également possible de communiquer avec votre centre de recyclage local pour savoir où déposer les piles usées. RBRC<sup>MC</sup> est une marque déposée de la Société de recyclage de piles rechargeables.

**⚠️ AVERTISSEMENT : RISQUE D'EXPLOSION. NE PAS FAIRE BRÛLER LES BLOCS-PILES.**

**DEWALT et le logo de DEWALT sont des marques de commerce de Stanley Black & Decker, Inc. ou de l'une de ses sociétés affiliées qui sont utilisées sous licence.**

