



**Test Equipment
Depot**
1-800-517-8431

99 Washington Street
Melrose, MA 02176
Phone 781-665-1400
Toll Free 1-800-517-8431

Visit us at www.TestEquipmentDepot.com

HT Lysing

Bead Mill Homogenizer



Providing Flexible Solutions for Rapid High-Throughput Sample Processing

The HT (High Throughput) Lysing Bead Mill Lab Homogenizer offers efficient solutions for all of your grinding, lysing, pulverizing, mixing and homogenizing sample preparation applications. High-throughput processing is ideal for multiple sample and tube configurations. Easy-to-load tray securely locks the microplate or tube in place. High speed linear motion processes samples quickly. Flexibility to use OHAUS sample tubes or any other brand.

Standard Features Include:

- **Flexibility to Handle Multiple Samples & Tube Configurations**
HT Lysing Homogenizer is one of the most flexible models on the market. Process sample tubes, microplates, deep-well plates, or any format that will fit in the unit's holder—no costly accessories needed.
- **Take the Guesswork Out of Determining Optimum Speed/Time with 5 Pre-Set Programs**
Five preset programs optimized for speed and time helps take the guesswork out of creating the processing speeds and times for the most common samples including bacteria, fungi, plant & animal tissue.
- **Increased Efficiency With High-Throughput Sample Processing**
The HT Lysing Bead Homogenizer allows high-throughput processing, and is ideal for processing multiple tubes, microplates, deep-well plates etc.

HT Lysing Bead Mill Homogenizer

Model	HOHTDG
Speed Range	300 to 1600 rpm (1 rpm increments)
Motion	Reciprocal, 31 mm
Timer	1 second to 10 minutes (1 second increments)
Program 1	5 minutes @ 1500 rpm
Program 2	2 minutes @ 1500 rpm
Program 3	3 minutes @ 1300 rpm
Program 4	4 minutes @ 1500 rpm
Program 5	1 minute @ 1600 rpm
Capacity	1 deep well plate, 4 microplates, or any sample matrix that can fit in the 10.2 × 12.7 × 6.4 cm adjustable holder
Maxamim Capacity	300 g
Working Environment	41°F – 104°F / 5°C – 40°C, 20% – 85% RH, non-condensing
Dimensions (L × W × H)	17.5 × 11.3 × 20.4 in / 44.6 × 28.6 × 51.8 cm
Net Weight	59 lb / 26.8 kg
Ship Weight	84 lb / 38 kg

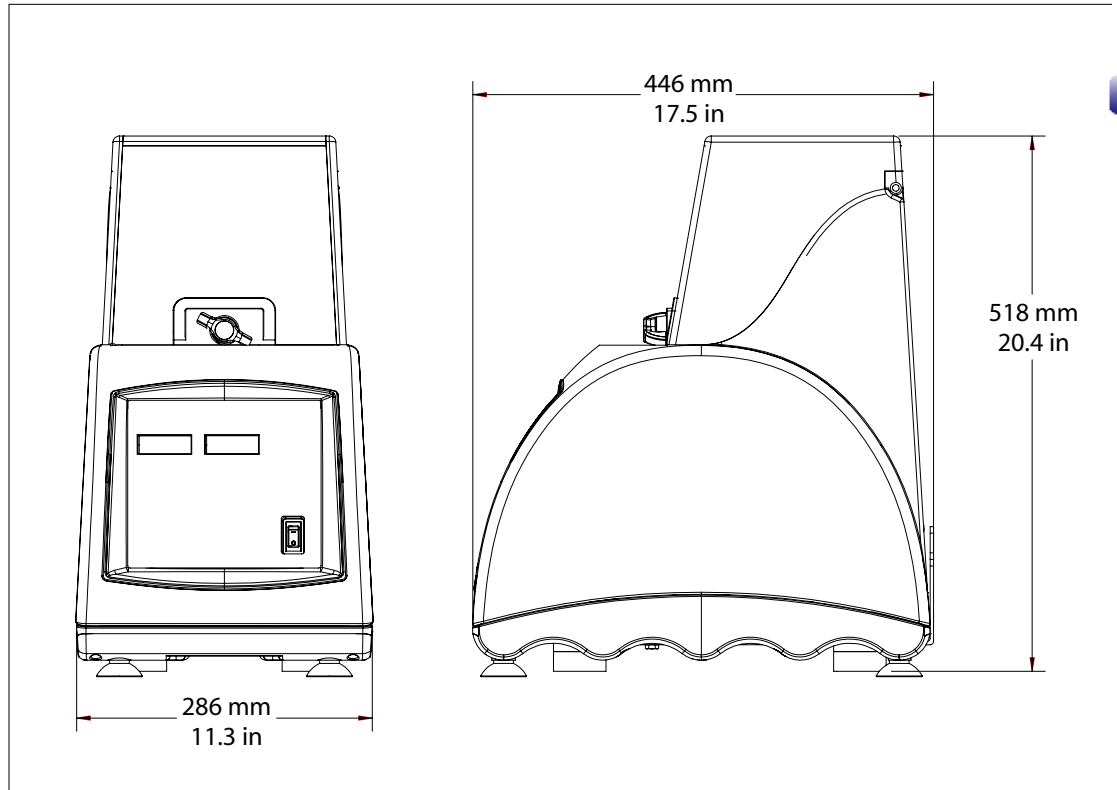
Compliance

- **Product Safety:** EN 61010-1, EN 61010-2-051, CAN/CSA C22.2 61010-1, CAN/CSA-C22.2 61010-2-051, UL 61010-1
- **Electromagnetic Compatibility:** EN/IEC 61326-1, ICES-003, FCC Part 15

Accessories

- White, Bacteria, 2 mL skirted tube, DNase/RNase free, 100 µm Zirconium Beads, 100/box 30391402
- Yellow, Yeast, 2 mL skirted tube, DNase/RNase free, 400 µm Zirconium Beads, 100/box 30391404
- Blue, Fungi, 2 mL skirted tube, DNase/RNase free, 800 µm Zirconium Beads, 100/box 30391405
- Orange, Soft Sample, 2 mL skirted tube, DNase/RNase free, 1.4 mm Zirconium Beads, 100/box 30391406
- Green, Plant, 2 mL skirted tube, DNase/RNase free, 3 mm Zirconium Beads, 100/box 30391408
- Red, Animal Tissue, 2 mL skirted tube, DNase/RNase free, 3 mm Stainless Steel Grinding Balls, 100/box 30391409
- Brown, Environmental, 2 mL skirted tube, DNase/RNase free, 100 µm /800 µm/3 mm Zirconium Beads, 100/box ... 30391410
- Tube Rack, 25 × 2 ml Tubes, 2 per pack 30391431
- Sample Tube Kit, 14 Tubes; 2 each of White, Yellow, Blue, Orange, Green, Red, and Brown 30391433

Dimensions



Test Equipment Depot
 99 Washington Street
 Melrose, MA 02176
 Phone 781-665-1400
 1-800-517-8431 Toll Free 1-800-517-8431

Visit us at www.TestEquipmentDepot.com

80775228_A 20180316 © Copyright OHAUS Corporation

The management system governing the manufacture of this product is ISO 9001:2015 certified.

