

BEZ 700-IP

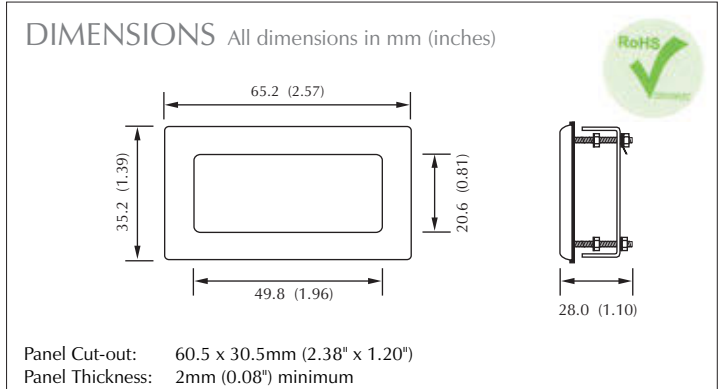
IP67/NEMA 4X Rated Bezel

When used in conjunction with certain panel mounted 700 series instruments (purchased separately), this bezel offers the assembly an IP67/NEMA 4X rating from the front. The screw fixings allow for a quick and easy assembly of the module and bezel in the panel. A robust and attractive alloy construction gives the product a professional finish. BEZ 700-IP is ideally suited for applications where the ingress of moisture or particles poses a problem.

- IP67 / NEMA 4X Rated
- Screw Fixing
- Glass Window
- Robust Construction
- Attractive Appearance

COMPATIBILITY

- DPM 742-BL
- DPM 750S-BL



No.: 695 - Page 1 of 2

Specifications liable to change without prior warning

BEZ 700-IP

Issue 5

06/2010

S.L.

BEZ 700-IP

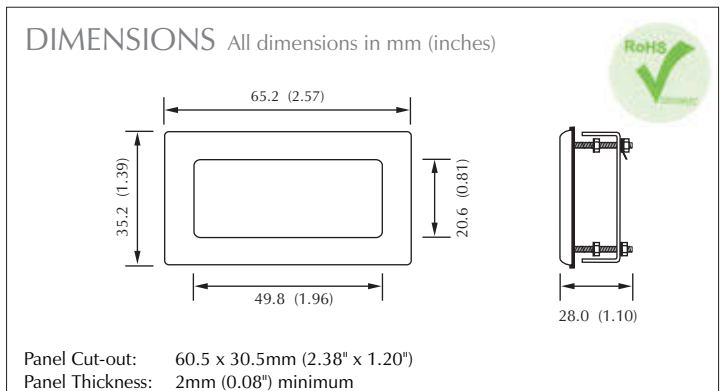
IP67/NEMA 4X Rated Bezel

When used in conjunction with certain panel mounted 700 series instruments (purchased separately), this bezel offers the assembly an IP67/NEMA 4X rating from the front. The screw fixings allow for a quick and easy assembly of the module and bezel in the panel. A robust and attractive alloy construction gives the product a professional finish. BEZ 700-IP is ideally suited for applications where the ingress of moisture or particles poses a problem.

- IP67 / NEMA 4X Rated
- Screw Fixing
- Glass Window
- Robust Construction
- Attractive Appearance

COMPATIBILITY

- DPM 742-BL
- DPM 750S-BL



99 Washington Street
Melrose, MA 02176
Phone 781-665-1400
Toll Free 1-800-517-8431

Visit us at www.TestEquipmentDepot.com



No.: 695 - Page 1 of 2

Specifications liable to change without prior warning

BEZ 700-IP

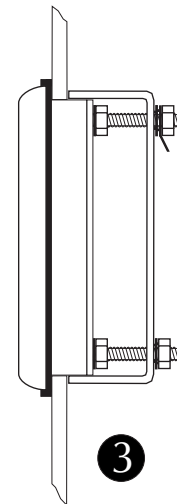
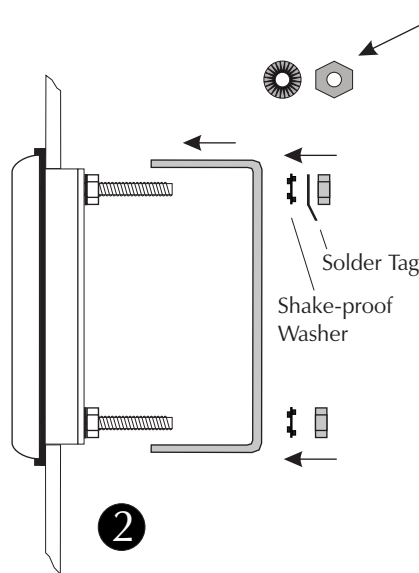
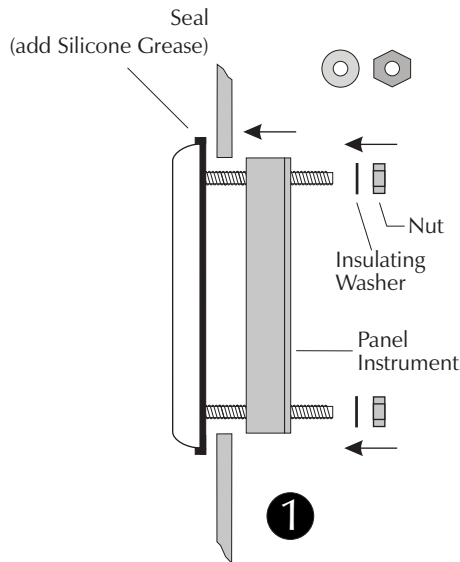
Issue 5

06/2010

S.L.

MOUNTING METHOD

To ensure integrity of waterproofing, avoid over tightening nuts retaining bezel clamp bracket, as this can distort the seal.



Notes: On some panel instruments it may be easier to configure links and calibrate the product prior to fitting the instrument and BEZ 700-IP into the panel. Always observe safety warnings on the Panel Instrument datasheet. Do not allow connections to touch the metal bezel, as this may adversely affect product safety or stop the panel instrument from functioning correctly. A solder tag is provided. However, it is the responsibility of the installer to ensure that any earth bonding complies with local regulations.



No.: 695 - Page 2 of 2

Specifications liable to change without prior warning

BEZ 700-IP

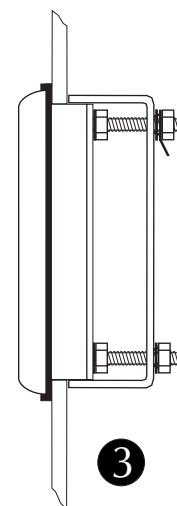
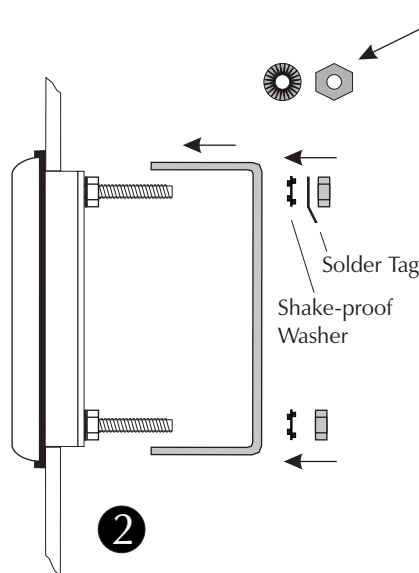
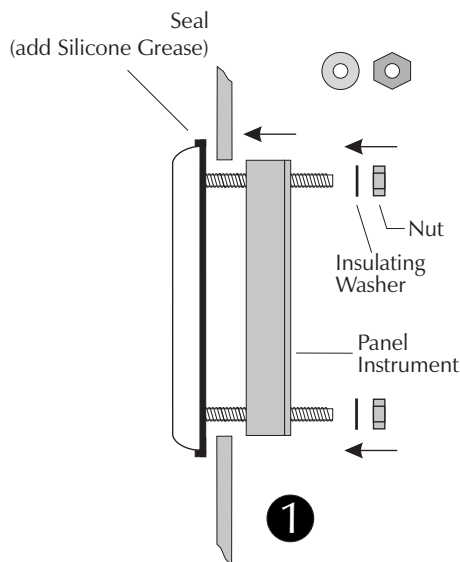
Issue 5

06/2010

S.L.

MOUNTING METHOD

To ensure integrity of waterproofing, avoid overtightening nuts retaining bezel clamp bracket, as this can distort the seal.



Notes: On some panel instruments it may be easier to configure links and calibrate the product prior to fitting the instrument and BEZ 700-IP into the panel. Always observe safety warnings on the Panel Instrument datasheet. Do not allow connections to touch the metal bezel, as this may adversely affect product safety or stop the panel instrument from functioning correctly. A solder tag is provided. However, it is the responsibility of the installer to ensure that any earth bonding complies with local regulations.



99 Washington Street
Melrose, MA 02176
Phone 781-665-1400
Toll Free 1-800-517-8431

No.: 695 - Page 2 of 2

Specifications liable to change without prior warning

BEZ 700-IP

Issue 5

06/2010

S.L.

Visit us at www.TestEquipmentDepot.com