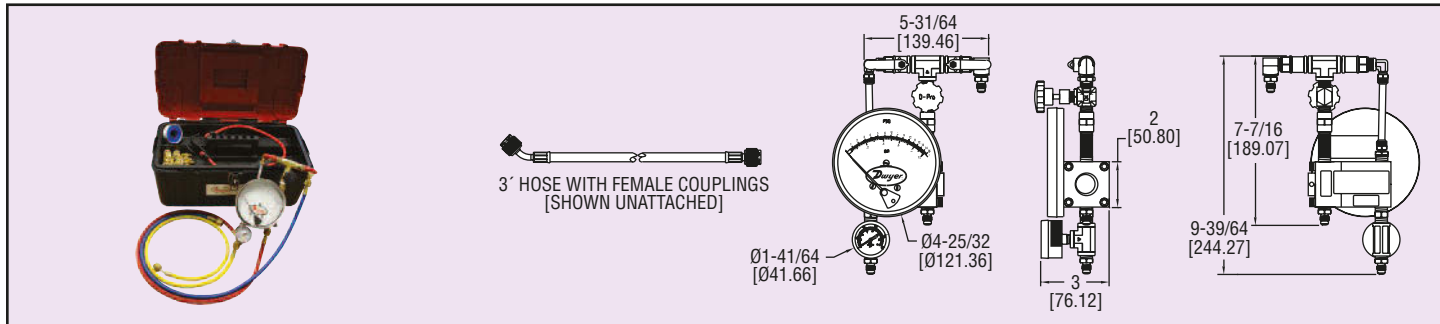




Model
BTK2

Backflow Prevention Test Kit

Test Flow in Hydronic Systems



The Model BTK2 Backflow Prevention Test Kit is capable of testing hydronic systems with test procedures recommended by ASSE, AWWA, CSA, FCCC, HR USV, and NEWWA. The BTK2 is comprised of three valves and is specially designed for testing backflow prevention assemblies. The tests can be completed in almost any area by mounting the unit with the included high performance elastic cord. PTFE lined brass ball valves simplify the adjustment procedure. The large, easy to grip needle valve allows for quick adjustment. The kit includes a 4.5" diameter diaphragm differential pressure gage (0 to 15 psid), a 1.5" diameter in line pressure gage (0 to 200 psig), three 3' long hoses (color coded), three sets of brass adapter fittings for hookups to all standard size test cocks, an elastic cord for hanging/mounting, and a durable polyethylene carrying case.

Model BTK2, Backflow Prevention Test Kit

Includes: 3 valve assembly, 4.5" differential pressure gage (attached), 1.5" in line pressure gage (attached), three 3' hoses, three sets of brass adapter fittings, bungee cord, plumbers tape, polyethylene carrying case.

SPECIFICATIONS

Pressure Limits: 175 psi (12 bar).

Temperature Limits: 210°F (99°C).

Range: 4.5" gage: 0 to 15 psid (0 to 1 bar); 1.5" gage: 0 to 200 psi (0 to 14 bar).

Accuracy: 4.5" gage: ±2% FS; 1.5" gage: ±3 2 3% FS.

Wetted Parts:

- 4.5" Gage: Anodized aluminum;
- 4.5" Gage Diaphragm: Buna N;
- 1.5" Gage: Brass;
- Ball Valves: PTFE lined brass;
- Needle Valve: Brass;
- Hose Couplings: Brass;
- Adaptors: Brass;
- Hose: Rubber.

Size: Case: 9" H x 16" W x 9" D (228 mm H x 406 mm W x 228 mm D).

Weight: 8.9 lb (4 kg).

USA: California Proposition 65

⚠ WARNING: Cancer and Reproductive Harm www.P65Warnings.ca.gov