

Honeywell

E-Mon Class 2000 Meter

KWH & KWH/DEMAND METER

INSTALLATION INSTRUCTIONS



62-0396-03

E-MON CLASS 2000 METER

Dear Valued Customer,

We are pleased that you chose to buy one of our products, and want you to be just as pleased with owning it. Before installing your new Honeywell E-Mon product, please read the information on the following pages carefully.

We believe that you will find the Honeywell E-Mon meters easy to install and to use for monitoring and evaluating your electrical usage.

To be sure that you are 100% satisfied with your products, we provide toll-free technical and sales support Monday through Friday, 8:00 am to 7:30 pm, EST: (800) 334-3666. You may also reach us via e-mail at info@emon.com.

If you have questions, we can handle them quickly and effectively with a telephone call. Please let us try to help you **BEFORE** you remove your meter. And to help us help you, we ask that you have all relevant information on hand when you call (model or part numbers, nature of difficulty, etc.)

Be sure to forward this manual to the owner after installation is complete, so that they may use it as a reference guide when reading the Honeywell E-Mon meter.

Thank you.

TABLE OF CONTENTS

Section 1.0	Pre-Installation Information	3
Section 1.1	Internal Electronic Assemblies	4
Section 2.0	Safety Label Definitions and Information	5
Section 3.0	Precautionary and Safety Information	6
Section 4.0	Meter Installation	7
Section 4.1	Mounting the Meter	7
Section 4.2	Main Power Board Connections	7
Section 4.3	Current Sensor Installation & Wiring	9
Section 4.4	MAINS Line Voltage & Current Sensor Wiring Diagrams	11
Section 4.5	Line Voltage/Current Sensor Diagnostics	12
Section 4.6	Final Main Board Checks	13
Section 5.0	Monitoring Multiple Loads with One Meter	14
Section 6.0	KWh Meter Features & Functions	16
Section 6.1	KWh Meter Display Features	16
Section 6.2	How to Read the kWh Meter	17
Section 6.3	KWh Meter Hardware Functions	18
Section 6.4	E2O Pulse Output Removable Two-Screw Terminal Plug	18
Section 7.0	KWh/Demand Meter Features & Functions*	20
Section 7.1	KWh/Demand Meter Display Functions	20
Section 7.2	How to Read the kWh/Demand Meter	21
Section 7.3	Demand Display Set-Up	22
Section 7.4	Demand Reset	24
Section 8.0	Preventative/Scheduled Maintenance	25
Section 9.0	Lithium Battery Replacement Instructions	26
Section 10.0	Troubleshooting Guide	28
Section 10.1	Line Voltage Diagnostics	29
Section 10.2	Current Sensor Diagnostics	30
Section 11.0	High Voltage Metering	31
Section 12.0	Frequently Asked Questions	36
Section 13.0	Meter Technical Specifications	38
Section 14.0	Meter Limited Warranty	41

* Applies to meters equipped with the Demand option.

1.0 PRE-INSTALLATION INFORMATION

The Honeywell E-Mon Class 2000 meter is a 3-element meter used to monitor electric power usage of individual loads after the utility meter. Installation must only be performed by qualified personnel and in accordance with these instructions and all applicable local and national electrical codes. Honeywell nor its representatives assume no responsibility for damages or injury resulting from the improper installation of this meter.

Meters are supplied in a UL Type 1 steel enclosure appropriate for indoor installation where it will not be affected by the elements, such as moisture and extreme temperatures.

Units designated by the “R” suffix on the model number have an extended environmental operating range and are enclosed in a UL Type 4X (equivalent to NEMA 4X) enclosure to accommodate outdoor environments. Verify the input voltage rating and configuration on the meter label to ensure it is suitable for the intended electrical services. E20 Series meters labeled for 120/208V service **MUST NOT** be installed on service feeds of 277/480V and vice versa.

Verify the current sensors are sized suitably for the load to be monitored. Compare the color of the arrows on the current sensors to the chart below to confirm the correct current sensor is being used.

Sensor Arrow Color Code	Sensor Rating
Brown	100 Amp
Red	200 Amp
Yellow	400 Amp
Black	800 Amp
Blue	1600 Amp
White/Black	3200 Amp



CAUTION

Internal circuit card components are extremely sensitive to electrostatic discharge. Prior to handling or touching internal circuitry, discharge any static buildup on your person. To discharge yourself, touch a grounded metal object such as conduit or an earth grounded metal enclosure.



WARNING

Use of this instrument in a manner inconsistent with this manual or not specified by the manufacturer in writing, can cause permanent damage to the unit and/or serious injury to the operator. The protection and safety features provided by this equipment may become impaired or otherwise compromised.

NOTE: If any trouble arises during installation or functional verification operations, do not immediately remove unit. Before removing the unit, contact Honeywell's technical support department. The technical department will assist you in detailed troubleshooting of the E-Mon Class 2000 installation.

1.1 Internal Electronic Assemblies

The unit is comprised of a Main Power Board, Display Board and Keyboard. All circuit cards are mounted inside a UL Type 1 (standard) or UL Type 4X (optional) enclosure.

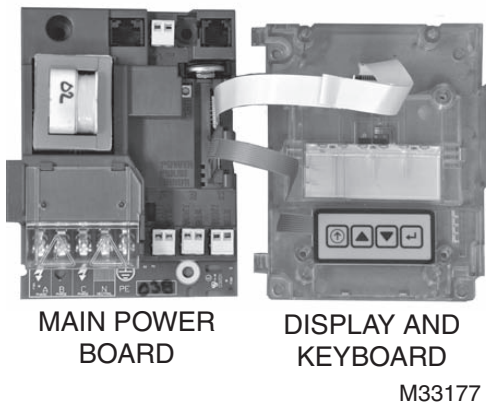


Fig. 1. Power Supply Board and Display Board

NOTE: Units are supplied in a UL Type 1 metal enclosure suitable for indoor applications only. Units supplied in the optional UL Type 4X fiberglass enclosure are suitable for either indoor or outdoor applications, within the defined specifications. Refer to Section 12.0 for a definition of suitable environmental conditions for indoor and outdoor units.

1.1.1 Main Power Board

Connections to this board include the MAINS Input Voltage, Current Sensors, external IDR interface and Isolated Pulse Output. The MAINS input terminals are covered with a protective shield for safety purposes. The current sensor assemblies interface to three header connectors, labeled A, B, and C along with conductor color indication. Each header connector input corresponds to an input voltage phase, so care must be taken to ensure each current sensor is connected to the correct input header.

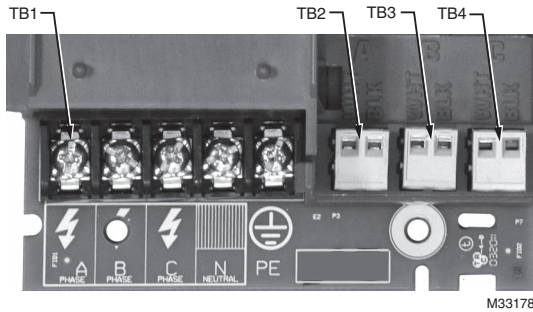


Fig. 2. Standard Configuration

1.1.2 Display Board

The display connects to the main power board via a flex-ribbon cable and is mounted on the inside of the enclosure door. The LCD readout indicates the cumulative kWh and instantaneous kW value on kWh meters. The LCD readout indicates cumulative kWh, peak demand and instantaneous kW values on kWh/ Demand meters).

2.0 SAFETY LABEL DEFINITIONS AND INFORMATION

The E-Mon Class 2000 meter may contain one or more of the following labels. Operator(s) should familiarize themselves with the meaning of each label to minimize risk.



The presence of this label is a cautionary indicator identifying a danger risk. The manual should be consulted prior to proceeding.



The presence of this label indicates an electrical shock hazard exists in the location or area where the label is placed. Prior to proceeding, the MAINS power must be disconnected and the manual consulted for safety information.

3.0 PRECAUTIONARY AND SAFETY INFORMATION



CAUTION

Internal circuit card components are extremely sensitive to electrostatic discharge. Be careful not to touch internal circuitry prior to discharging any static buildup on your person. To discharge yourself, touch a grounded metal object such as conduit or an earth-grounded metal enclosure.



WARNING

High voltages present on main PCB terminal block TB1 screw terminals. Risk of serious injury and/or electrical shock exists. Prior to performing any wiring operations, review all contents of the user manual and de-energize the MAINS power switch. Only qualified personnel should perform installation wiring. Installation wiring must comply with all local and national electrical codes.



WARNING

Failure to ground the enclosure creates a possible shock hazard. Do not operate the E-Mon Class 2000 meter without a protective earth wire attached securely to the PE terminal screw. After installing protective earth wiring, secure the screw tightly (7in-lb torque.)



WARNING

NEVER open front panel of unit while unit has MAINS power applied. Failure to comply can increase the risk of serious injury and/or electrical shock.

4.0 METER INSTALLATION

4.1 Mounting the Meter

Using the appropriate sized mounting hardware, fasten the E-Mon Class 2000 meter enclosure to the selected mounting surface. The four mounting holes are centered 6.75" H x 4" W. The mounting hole spacing is identical for either the UL Type 1 or UL Type 4X enclosure.

NOTE: Only the UL Type 4X enclosed unit is suitable for outdoor environmental conditions. Units housed in UL Type 1 enclosures must only be installed in indoor environments where it will not be affected by the elements, such as moisture and extreme temperatures.

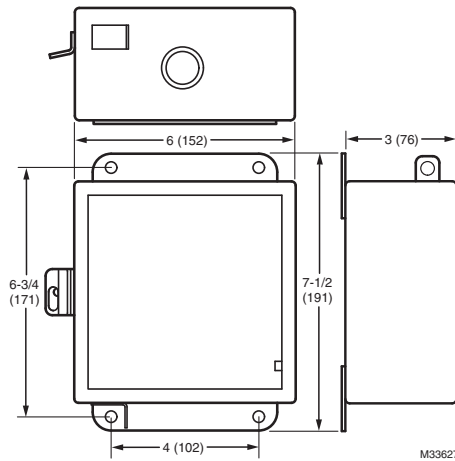


Fig. 3. Enclosure Dimensions.

4.2 Main Power Board Connections

1. Install a temporary ground for ESD (Electrostatic Discharge) protection. With all circuits de-energized, connect a temporary protective earth ground connection for ESD protection. Prior to performing any unit wiring, be sure to discharge any static on your person.
2. Install the E-Mon Class 2000 Protective Earth Ground. Connect an earth ground wire to the E-Mon Class 2000 protective earth ground terminal screw located on the right side of the line voltage terminal block. After installing the protective earth ground wire, securely fasten the protective earth ground screw.

WARNING

Failure to attach the protective earth ground wire securely to the enclosure creates a potential shock hazard. Do not operate the E-Mon Class 2000 meter without a protective earth ground connection securely installed.

3. Wire Entry.

- a. Two openings exist on the unit enclosure, one for 1/2" conduit and one for 3/4" conduit. The 3/4" conduit opening located on the bottom of the enclosure is used to bring in MAINS Power (voltage lines to power meter) and current sensor wiring. The 1/2" conduit opening located on the top of the enclosure is used to interface low voltage signals, such as the IDR interface and isolated pulse output. (Outdoor enclosures equipped with one 3/4" conduit opening on bottom of enclosure only.)
- b. Route the appropriate cabling to and through the respective enclosure opening. The conduit and fittings interfacing the enclosure entrances must be UL listed and properly sized to the enclosure port diameter. The interfacing fitting must use a gasket seal ring to interface between the conduit fitting and the enclosure entry point. After installing the conduit fitting and conduit, verify that the conduit fittings are aligned properly to their respective enclosure entrance ports and tightened securely to prevent moisture entry. VERIFY that each conduit slip nut is securely tightened to its respective conduit fitting.
- c. Outdoor applications require the use of the optional 4X enclosure. The same principles outlined for indoor meter installations as defined in the aforementioned paragraph carry over and apply to outdoor installations with one exception. This exception is that the conduit and fittings for outdoor installations require an outdoor material rating and approval for 4X applications.

4. Unit MAINS Wiring (Voltage Wiring Connections)

- a. Remove the shield located over the phase A,B and C screw terminals on the main power board. This shield can be removed by pulling back on the latch on the right side of the shield and lifting up on the front. Wire each connection to the terminal block with stranded wire 14-12 AWG, rated at 600 VAC.
- b. Strip back all wire insulation to expose between 1/4" and 3/8" of the copper conductors. Gently twist each wire to prevent fraying. Insert the conductors into their respective terminal block position and tighten down the terminal block screw to securely fasten the conductor. The terminal block is clearly labeled PHASE A, PHASE B, PHASE C and NEUTRAL.
- c. Connect the NEUTRAL wire to the appropriate terminal block position.

NOTE: For Delta MAINS input wiring, DO NOT connect the NEUTRAL wire. Remove the terminal block screw for this position.

- d. Connect the AC mains power wires (Phase A, Phase B and Phase C) to their respective positions as labeled on terminal block. Tighten the screws to 7 in-lb of torque.

E-MON CLASS 2000 METER

- e. After all conductors are connected to their respective terminal block positions and tightened down, verify that each terminal block screw is securely fastened by gently tugging on each conductor. Verify no conductor wires are frayed or are shorting to adjacent terminal block positions.
5. External Switch Mechanism/In-Line Fuse Installation
 - a. To ensure a safe installation, the E-Mon Class 2000 meter requires an external switch mechanism, such as a circuit breaker, be installed on the E-Mon Class 2000 MAINS input wiring. The switch mechanism must be installed in close proximity to the meter and easily reachable for the operator. This device must also be marked as the disconnecting device for the E-Mon Class 2000 meter.
 - b. Install 1/10 Amp Slow Activation in line fuses with the suitable voltage rating for each conductor phase at the MAINS input to the meter. The fuses must be labeled to indicate voltage and current rating as well as element characteristics. The fuse element must be slow activating type.
6. Once the MAINS wiring is complete, replace the clear Lexan protective shield over terminal block TB1 and close the enclosure front panel. Secure the enclosure cover using the locking mechanism. Activate the external circuit breaker or equivalent switch to apply AC MAINS power to the unit.
7. The E-Mon Class 2000 meter display should turn on and indicate total kWh accumulation reading.

NOTE: On demand meters the unit display, clock and other critical configuration parameters will be reset once the unit installation and wiring is complete. Using an AC Voltmeter, verify the input voltage readings are within the limits specified below.

Meter Input Voltage Configuration	Nominal Voltage	Limits (+/- 10%)
120/208V, 3 Ph, 4 Wire	120 VAC (L-N)	108 to 132 VAC
277/480V, 3 Ph, 4 Wire	277 VAC (L-N)	249 to 305 VAC
240V, 3 Ph, 3 Wire	240 VAC (L-L)	216 to 264 VAC
480V, 3 Ph, 3 Wire	480 VAC (L-L)	432 to 528 VAC
347/600V, 3 Ph, 4 Wire	347 VAC (L-N)	540 to 660 VAC

8. Remove power from the unit by de-energizing the external switch.

NOTE: For 3-Wire systems, the voltages are measured Phase to Phase. On 4-Wire systems the voltages are measured Phase to Neutral.

4.3 Current Sensor Installation & Wiring

Once the AC voltages have been confirmed to be within acceptable limits, you are ready to install the current sensors. The MAIN power board contains three header connectors located at the bottom right of the board. The connectors are labeled A, B, and C along with conductor color indication. This format must be followed in order for the meter to function correctly.

The E-Mon Class 2000 meter will be used with Split-Core Current Sensors. The sensor opens so that it can be attached around the circuit conductor being monitored without interrupting power. Unless otherwise specified, all E-Mon Class 2000 meters are supplied with this sensor type.

The sensor outputs a 0-2 VAC signal proportional to the current being measured.

The current sensors must be matched with the voltage phases. The A phase sensor must be monitoring the same phase as the A phase voltage. B & C phase sensors must also monitor the same phase as their respective voltage inputs.

4.3.1 Installing the Split-Core Current Sensor Assembly

Each phase being monitored will require one two-piece current sensor assembly. Therefore, a three-phase meter will require three (3) assemblies. Open the two-piece current sensor assembly by releasing the nylon clamp using a flat head screwdriver.



Fig. 4. Split-Core Current Sensor Assembly.

1. Reassemble the current sensor assembly around the conductor(s) to be monitored. Ensure the current sensor halves marked “Load” are both facing the load side of the conductor. The colored arrow will be on the source side

of the conductor being monitored and **MUST** be pointed in a clockwise direction around the conductor being monitored. Tighten the nylon clamp to complete the assembly.

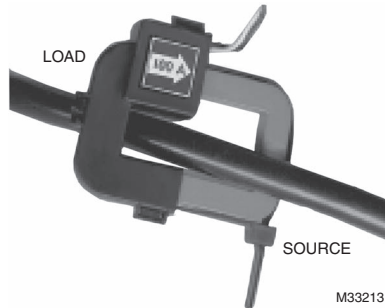


Fig. 5. Arrow On The Current Sensor Assembly.

IMPORTANT:

When looking from the source side of the conductor(s) being monitored, you should see the arrow on the current sensor assembly. The arrow should be pointing in a clockwise direction around the conductor(s) being monitored. If the arrow is not positioned on the source side, inaccurate readings will result.

4.3.2 Installing the Solid-Core Current Sensor Assembly

The optional solid-core current sensors can be installed in the same applications as the standard split-core units, however, the conductors that they are monitoring must first be disconnected.

NOTE: Under no circumstances is this operation to take place without shutting off the power to the conductor(s) being monitored.

With the power off, disconnect the conductor from its breaker or terminal. Slide the solid-core current sensor over the conductor, making sure that the indicator on the sensor is pointing in the direction of the load. After this is done, reconnect the conductor and verify that it is properly installed.

Run the black and white wires from the solid-core current sensors and install them according to the standard installation diagram. When this is completed, the power to the monitored conductor can be turned back on.



Fig. 6. Solid-core Current Sensor.

4.3.2 Current Sensor Wiring

Once all the current sensors are installed on their appropriate phase conductors, you can begin terminating the current sensors on to the E-Mon Class 2000 meter main power board.

The current sensor leads can be extended up to 2,000 feet (using #14-22 AWG wire) for remote monitoring applications. Consult your local electrical codes for proper wire sizing (#22 AWG twisted pair wire with a black and white conductor, rated for 600 VAC recommended.)

The current sensor connection points are located on the bottom right of the main power board. Three removable plugs exist, one for each current sensor phase input. The header portions of the connectors are labeled A, B and C. Text on the plastic cover of each of the connectors instruct you which terminal of the plug is for the white conductor and which terminal is wired to the black conductor. Once each current sensor is wired to its respective plug, insert each plug into the appropriate header.

4.4 MAINS Line Voltage & Current Sensor Wiring Diagrams


3-PHASE, 4-WIRE INSTALLATION DIAGRAM

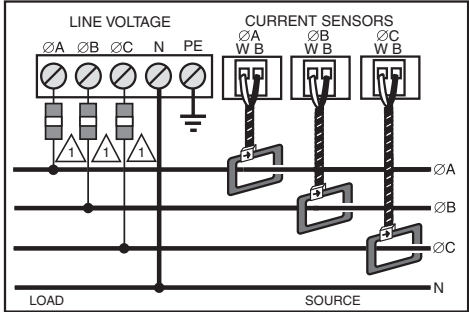
NOTES:

LINE VOLTAGE CONNECTIONS: #14-12 AWG

SENSOR CONNECTIONS: B = BLACK LEAD W = WHITE LEAD

NEUTRAL NOT USED IN DELTA SYSTEM. REMOVE NEUTRAL TERMINAL BLOCK SCREW FOR DELTA SYSTEMS.

 1/10A 600 VAC INLINE FUSE PER CONDUCTOR. LITTLEFUSE PART NUMBER KLDR.100.



M33185

Fig. 7. 3-Phase, 4-Wire Installation Diagram.

3-PHASE, 3-WIRE INSTALLATION DIAGRAM

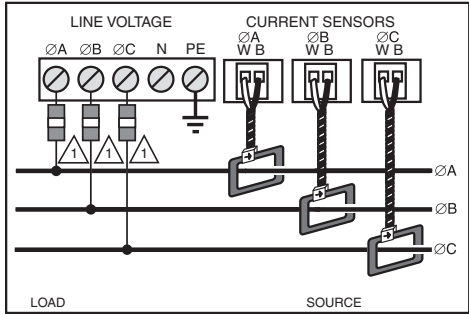
NOTES:

LINE VOLTAGE CONNECTIONS: #14-12 AWG

SENSOR CONNECTIONS: B = BLACK LEAD W = WHITE LEAD

NEUTRAL NOT USED IN DELTA SYSTEM. REMOVE NEUTRAL TERMINAL BLOCK SCREW FOR DELTA SYSTEMS.

 1/10A 600 VAC INLINE FUSE PER CONDUCTOR. LITTLEFUSE PART NUMBER KLDR.100.



M33186

Fig. 8. 3-Phase, 3-Wire Installation Diagram.

NOTES:

LINE VOLTAGE CONNECTION: #14 AWG

SENSOR CONNECTION: B = BLACK W = WHITE

IMPORTANT: LINE VOLTAGE MUST BE PRESENT AT THE A- AND B-PHASE VOLTAGE TERMINALS.

SHORTING LINK MUST BE INSTALLED ON C-PHASE CURRENT SENSOR TERMINALS.

 1/10-AMP INLINE FUSES RECOMMENDED.

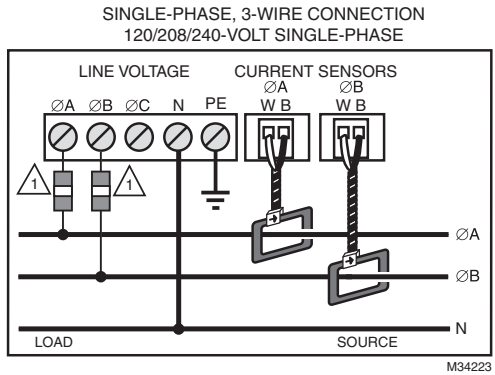


Fig. 9. Single-Phase, 3-Wire Installation Diagram.

4.5 Installation Overview

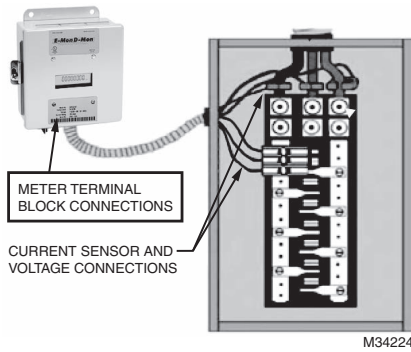


Fig. 10. Install Overview.

4.6 Check Polarity of the Current Sensor.

Verify all phases are loaded by at least 1% of meter rated load, and check the polarity of the sensors.

Test the sensors wires one pair at a time, verifying polarity, phase rotation and correspondence to line input. Safety guards must be in place.

CAUTION: High voltage - extra care must be taken.



Fig. 11. Sensor Polarity. When current sensor is installed properly, error LED is off. If the Error LED is illuminated, then disconnect the gray plug and reverse the input lead. If it clears, the “Sensor Error” then mark appropriately. Repeat for all sensors.



Fig. 12. Error LED.

E-MON CLASS 2000 METER

Repeat the process for the C sensor gray plug. With only the C sensor plug connected, if the sensor error remains clear, then the C sensor input and the polarity is correct.

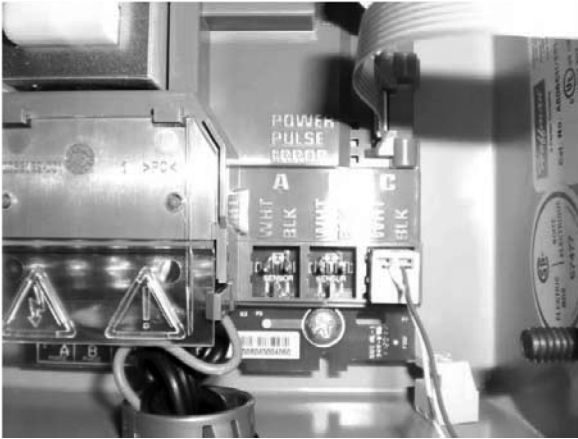


Fig. 13. Error LED.

5.0 MONITORING MULTIPLE LOADS WITH ONE METER

The E-Mon Class 2000 meter provides extreme flexibility by allowing additional sets of current sensors to be used in parallel so that multiple load locations can be monitored by one meter. This feature allows a totalized display readout from two or more load circuits.

You may use parallel sensors to monitor specific breakers from one panel, specific breakers from more than one panel, two or more complete panels, etc.

When paralleling current sensors, the following rules must be followed for accurate readings:

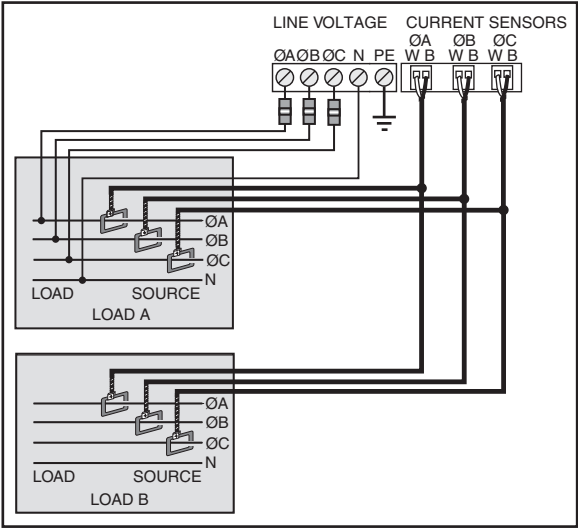
Rule 1: Current sensors must be installed in complete sets of three, with a maximum of three sensors installed in parallel per phase.

Rule 2: All sensors used in parallel must be of the same amperage rating (i.e. 100 amp, 200 amp, etc.) The rating is determined by the current rating (amperage) of the E-Mon Class 2000 meter. For example, a 200 amp meter must use extra sets of 200 amp current sensors.

Rule 3: All locations being monitored must have the same power source. A 480 volt meter cannot monitor a 208 volt load nor can a meter monitor two 480 or 208 volt loads if they are from different originating power sources or from different transformers.

Rule 4: The display readings must be multiplied by the number of sets of current sensors installed. E.g. meter reading of 5 kWh with 2 sets of current sensors.... $5 \times 2 = 10$ kWh (actual usage.)

NOTE: One set of current sensors equates to three sensors, one per phase. The multiplier only applies when extra sets of current sensors are installed on one meter. Therefore, if you are using only one set of three sensors (one per phase) the multiplier is not required.



M33187

Fig. 14. Multiple Loads with one Meter

6.0 KWH METER FEATURES & FUNCTIONS

6.1 KWh Meter Display Features

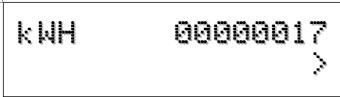


Fig. 15. Normal Mode (kWh Reading)

The E-Mon Class 2000 meter display requires no multiplier and shows kilowatt-hours consumed. See section 6.2 for information on calculating cost based on kWh usage.



Fig. 16. KW Load Mode (Current Load in kW)

The E-Mon Class 2000 meter LOAD display shows the present circuit load in kilowatts.



Fig. 17. Start Up Mode

When initially powered on, the E-Mon Class 2000 meter will display the startup screens.

This screen indicates the meter voltage, amps and service configuration. It will remain on for approximately five seconds before switching to the version screen, after which the meter enters the normal operating mode.

6.2 How to Read the kWh Meter



Fig. 18. Readings are displayed in whole numbers

The E-Mon Class 2000 meter displays readings in whole numbers, there are no decimals.

To find the dollar cost for the power used by the load(s) being monitored, you must first find out what the cost per kWh is in your area (this cost can be found on your utility electric bill, or call your local utility and ask for their cost per kilowatt hour.) Simply multiply the cost per kWh by the kWh reading from the E-Mon Class 2000 meter. The resultant figure is the dollar cost for power used by the load(s) being monitored by this meter.

Example:

8-digit display reading 00000017
Cost per kWh from utility \$0.12100
 $17 \times \$0.121 = \2.06

NOTE: THE FOLLOWING ONLY APPLIES TO METERS USING MORE THAN ONE SET OF CURRENT SENSORS. For meters using parallel current sensors you must multiply the kWh display reading by the number of sets of current sensors installed.

Example: 250 (meter display reading) $\times 2$ (sets of sensors in parallel) = 500 kWh
 500 kWh $\times \$0.121$ (utility cost per kWh) = $\$60.50$

6.3 KWh Meter Hardware Functions

IDR Jack	8-pin RJ-45-used to connect kWh meter to the Honeywell Energy automatic meter reading system.
Calibration Jack	Connector J11 is for factory calibration only, and is not a user accessible port. Silicon plug is not to be removed.
Error LED	When lit, indicates that the current sensor is backwards or on the incorrect phase.
Meter Pulse LED	Blinks to show the meter load. Blink rate increases with load.
Power On LED	When lit, indicates power to meter is on.
Pulse Output	Optically isolated output pulse for connection to BAS or peripheral equipment.

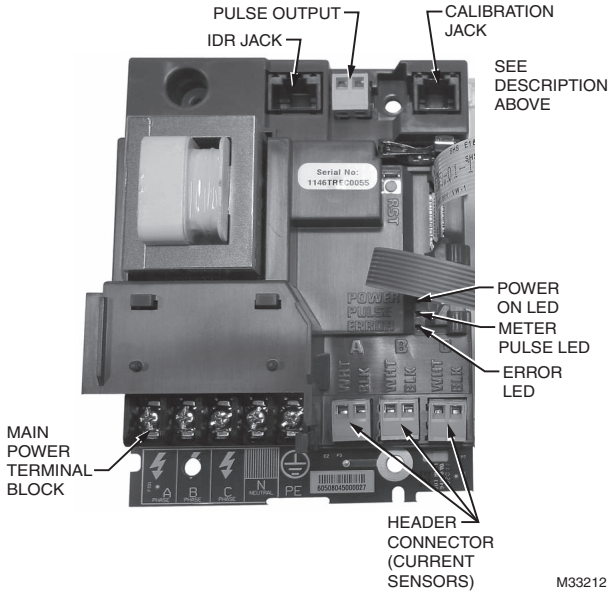
6.4 E-Mon Class 2000 Pulse Output Removable Two-Screw Terminal Plug

PULSE VALUE GUIDE FOR E-MON CLASS 2000, KWH & OR KW DEMAND METER

Color Code Key of Sensor Arrow Must Match the Amperage of Meter:

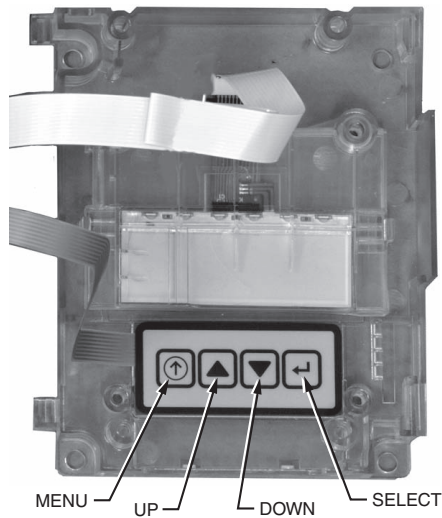
Purple	White	Brown	Red	Yellow	Black	Blue	Two Blue
25 Amp	50 Amp	100 Amp	200 Amp	400 Amp	800 Amp	1600 Amp	3200 Amp
Watt Hours per Pulse							
0.48828	0.97656	1.95312	3.90625	7.81250	15.6250	31.2500	62.500

Pulse output signal is a 50/50 duty cycle. There is no voltage present at the pulse output connection. It is a solid state relay, and there is no polarity associated with the relay. The interface range is from 4.5 to 28 VDC, with a maximum of 50 mA.



M33212

Fig. 19. Hardware Functions



M33183

Fig. 20. Hardware Functions

7.0 KWH/DEMAND METER FEATURES & FUNCTIONS*

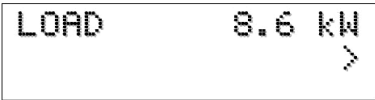
(*Applies to meters equipped with the Demand Option)

7.1 KWh/Demand Meter Display Functions

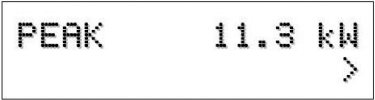
The E-Mon Class 2000 meter has a single display window that cycles through the energy data screens. The meter will cycle through four (4) separate screens. The screens are described below.



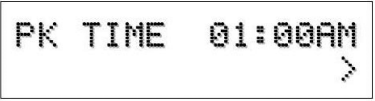
KWh display shows the amount of energy consumed in kilowatt hours (kWh). Reading is in whole numbers, there are no decimals and the meter requires no multipliers.



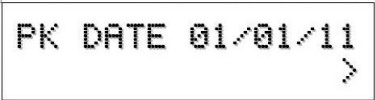
LOAD display shows the present circuit load in kilowatts.



KW display shows the peak electrical Demand in kilowatts (kW). Demand interval is either 15 minutes or 30 minutes. (Default is 15 minutes.)



Time display shows the time of the day that the demand peak occurred.



Date display shows the date of the demand (kW) peak.

Fig. 21. KWh/Demand Meter Display Functions

7.2 How to Read the kWh/Demand Meter

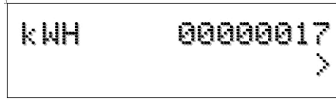


Fig. 22. kWh Reading

The E20 Class 2000 meter displays readings in whole numbers, there are no decimals.

To find the dollar cost for the power used by the load(s) being monitored, you must first find out what the cost per kWh is in your area (this cost can be found on your utility electric bill, or call your local utility and ask for their cost per kilowatt hour.) Simply multiply the cost per kWh by the kWh reading from the Honeywell meter. The resultant figure is the dollar cost for power used by the load(s) being monitored by this meter.

Example:

8-digit display reading 00000017

Cost per kWh from utility \$0.12100

$17 \times \$0.121 = \2.06

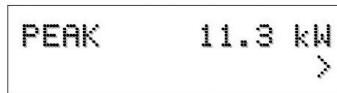


Fig. 23. kW (Demand) Reading

The kW (Demand) reading is the peak usage over a specified time period (15 minute standard, 30 minute optional). While kWh costs are interpreted as cents, Kilowatt costs are usually represented in dollars, and interpretation of demand costs are based on your utility's tariff and rate structures. You will need to contact your utility to see how your utility structures their kilowatt demand charges to ensure proper allocation of costs utilizing data from the Honeywell meter.

NOTE: THE FOLLOWING ONLY APPLIES TO METERS USING MORE THAN ONE SET OF CURRENT SENSORS.

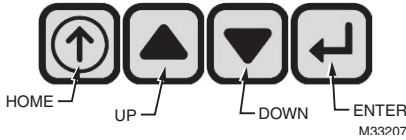
For meters using parallel current sensors you must multiply the kWh display reading by the number of sets of current sensors installed. With Demand meters, the PEAK Demand is also multiplied by the number of sets of current sensors installed.

Example:

$17(\text{meter display reading}) \times 2 (\text{sets of sensors in parallel}) = 34 \text{ kWh}$

$34 \text{ kWh} \times \$0.121 (\text{utility cost per kWh}) = \4.12

7.3 Demand Display Set-Up



The demand meter display is set-up using the four buttons located on the meter display board which is mounted on the door inside the meter enclosure.



STEP 1: Press the HOME button to enter the menu screen.



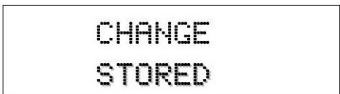
STEP 2: Press the DOWN button to enter the setup screen.



STEP 3: Press the ENTER button to enter the DATE screen.



STEP 4: Press the Enter button to cycle between the day, month, and year. Press the UP and DOWN buttons to change their respective numbers.



STEP 5: When the numbers have been changed, press ENTER again to save the changes.

E-MON CLASS 2000 METER

STEP 6: Press the DOWN button to access the TIME screen.

```
SETUP   ↑↓  
TIME↵Fr 03:10 PM
```

STEP 7: Press ENTER to cycle between the hour, minutes, and day of week selection Use the UP and DOWN buttons to change the selection.

```
CHANGE  
STORED
```

STEP 8:When the changes are completed press the ENTER button to save the changes.

```
DEMAND INT   ↓  
15min
```

STEP 9: Press ENTER to enter the DEMAND INTERVAL screen.

```
DEMAND INT   ↓  
15min
```

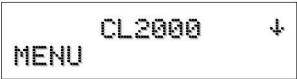
STEP 10: Press ENTER again to access the interval selection screen. Use the UP and DOWN buttons to select the appropriate interval time. (default is 15 min.)

```
CHANGE  
STORED
```

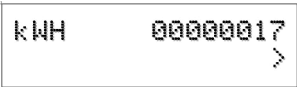
STEP 11: When the appropriate demand interval has been chosen, press ENTER to save the changes.



STEP 12: Press the HOME button to return to the setup screen.

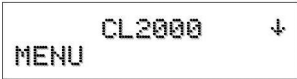


STEP 13: Press the UP arrow to display the STATUS screen.

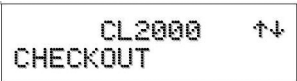


STEP 14: Press the ENTER button to enter the normal display screen.

7.4 Demand RESET



STEP 1: Press the HOME button to access the E-Mon Class 2000 MENU screen.



E-MON CLASS 2000 METER

STEP 2: Use the UP and DOWN buttons to access the CHECKOUT screen.

```
CL2000  ↑↓  
CHECKOUT
```

STEP 3: Press the ENTER button to access the kw RESET screen.

```
CHECKOUT  ↑↓  
kW RESET  ↓YES
```

STEP 4: Press ENTER to access the RESET select screen. Use the UP and DOWN buttons to select “yes” or “no”. Press ENTER to save the selection. “Change stored” will be displayed after pressing ENTER.

```
CL2000  ↓  
MENU
```

STEP 5: Press the HOME button to return to the menu screens. Use UP and Down to select the MENU screen.

```
kWH      00000017  
>
```

STEP 6: Press ENTER to return to the normal display.

8.0 PREVENTATIVE/SCHEDULED MAINTENANCE

The E-Mon Class 2000 meter is shipped in a calibrated, tested and fully functional condition.

- No field adjustments are required.
- No preventative or scheduled maintenance is required.
- No cleaning or decontamination procedures are required for this instrument.

9.0 LITHIUM BATTERY REPLACEMENT INSTRUCTIONS

The E-Mon Class 2000 meter has a Lithium Battery Cell, which is used to retain the contents of SRAM and the RTC during power outages. The battery has a life expectancy of greater than 5 years.

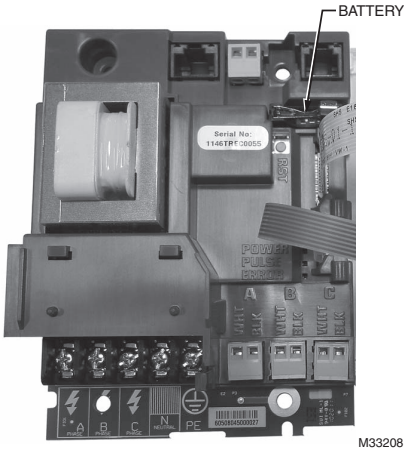


Fig. 24. Battery Location

Nominal Working Voltage	3 Vdc Output
Nominal Current Capacity	225 mAHR
Cell Chemical	Manganese Dioxide Lithium
Operating Temperature Range	-30 to +60 Degrees Celsius
Manufacturer	Panasonic
Manufacturer's Part Number	CR2032

Fig. 25. Battery Specifications at 25 Degrees Celsius

WARNING

Only replace battery with Panasonic part number CR2032 only. Use of another battery may present a risk or explosion. See owners manual for safety instructions. Internal circuit card components are extremely sensitive to electrostatic discharge. Be careful not to touch internal circuitry prior to discharging any static buildup on your person. To discharge yourself, touch a grounded metal object such as conduit or a metal enclosure exterior.

The battery cell is mounted in a coin cell on the upper right side of the main power board. Replace the battery if the low battery warning is on display.



Fig. 26. Low Battery Display

Use the following procedure to replace the battery cell

STEP 1: Disconnect power from the meter at the unit external circuit breaker.

STEP 2: Remove the battery from its holder and place on a non-conductive surface.

STEP 3: Install new battery into the battery holder.

NOTE: Care should be taken to insure that the replacement battery is installed the same polarity as the battery that was removed. No damage to unit or battery will occur if battery is inadvertently installed in the wrong direction.

STEP 4: Dispose of the used battery in accordance with the manufacturers' (Panasonic) instructions.

10.0 TROUBLESHOOTING GUIDE

The E-Mon Class 2000 meter is calibrated and tested at the factory before being packaged and shipped. If installed properly and in accordance with these installation instructions, your E-Mon Class 2000 meter should provide years of trouble free service. If the meter should not function, the following guide will assist in troubleshooting the installation.

Problem	Procedure to follow
1. Display window is blank.	Check wiring to voltage terminals.
	Check circuit breakers or fuses.
	Verify that the power is turned on.
	Test source for correct voltage.
2. Display shows incomplete figures or numbers other than zeros when power is turned on.	Press RESET button located on door inside meter enclosure (5 sec.)
3. Display reading all zeros (00000000)	Determine if load is sufficient to update the display.
	Check RESET button to ensure there are no wires or other objects pressing against it when the door is closed.
	Check the current sensors for installation and polarity.
	Be sure the current and voltage inputs have the proper phase relationship.
	Check wiring to voltage terminals.
	Check circuit breaker or fuses.
	Test source for correct voltage.
4. Display reads only a fraction of consumption	Check the supply voltage to be sure that it is on continuously 24 hrs/day.
	Check the current sensors for installation and polarity.
	Check sensor wiring to the terminal strip in meter (color coding B & W.)

NOTE: If you still need assistance after performing the above troubleshooting procedures, do not remove the unit. Before removing the unit, contact Honeywell's technical support department, and our support experts will assist you in detailed troubleshooting of the meter installation and will assist you in getting the unit operating correctly.

10.1 Line Voltage Diagnostics

Honeywell E-Mon meters detect the direction of rotation of three-phase power. The proper phase sequence must be A-B-C.

The AC power input must be in proper phase sequence A, B, C. If incorrect, the display will read “Check Install.” See figure below.



Fig. 27. Check Install Error.

STEP 1: VERIFY & RESOLVE A PHASE SEQUENCE ERROR

1. Have the electrician unplug or disconnect all three current sensors at the current sensor input.
2. If the meter display “Check Install” Error without any sensors connected the utility power supply connection is out of expected sequence.
3. Disconnect the power to the meter line voltage inputs. Swap A & C line inputs. Swap A & C line inputs. Power up the meter and verify there is not a “Check Install” error on the LCD.

NOTE: If line voltage phase sequence was corrected - sensors must be adjusted accordingly.

10.2 Current Sensor Diagnostics

NOTE: Light Load or No Load May Cause “Check Install” Error to be Displayed.

The meter must have at least 1% load for each current sensor. For example model number E20-208200KIT is 200 amp rated; each current sensor must have at least two amps flowing through it to verify installation. If the error goes away with 1% or more load, then there is no issue with installation. The error was due a light load this is normal and may go back on during light load conditions.

STEP 1: LINE VOLTAGE PHASE ROTATION MUST BE CORRECTED PRIOR TO CURRENT SENSOR DIAGNOSTICS - SEE SECTION 10.1.

Is the Current Sensor(s) clamped on backwards?

Assemble the current sensor halves around the conductor(s) to be monitored. Ensure the current sensor halves marked “Load” (Load Side shown with two arrows Figure 24 below) are both facing the load side of the conductor. (The load is the side of the conductor where the equipment you are monitoring is located). **WARNING:** If removal of the split-core Current Sensor is necessary, **DO NOT** Cut the Tie Wrap! The head of the cable tie has a release tab. Push down on the tab to release.

How do I know line from load?

Generally speaking, “line” is the power coming in or “upstream” to a circuit breaker/fuse/disconnect/etc. “Load” is the power going out (“downstream”) of the device that interrupts power.

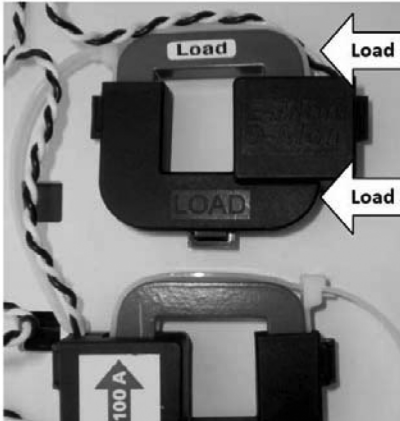


Fig. 28. Load Side.

11.0 HIGH VOLTAGE METERING

kWh Meter Installation Instructions for Use with Honeywell E-Mon Meters in High Voltage Applications

The Honeywell E-Mon model # 12025HV kWh meter is designed to be used for monitoring high voltage (2400, 4160, 13200, etc) circuits, either “stand alone” or in an AMR application.

This meter is intended to be used with the appropriate high voltage Potential Transformers (PTs) and Current Transformers CTs) supplied by others. The meter application is centered around a 120 VAC secondary output from the high voltage PTs and a 5 amp secondary output from the high voltage CTs.

Items addressed by this document include the installation of the 12025HV meter on high voltage circuits as well as the calculations to provide the correct meter multiplier based on the PT and CT sizes used on the high voltage conductors.

Installation should be performed by qualified personnel and only according to all applicable electrical codes.

High Voltage CTs (supplied by others) reduce the primary current (amps) to a directly proportional 0~5 amp secondary output. As an example, a 0~400 amp primary becomes a 0~5 amp proportional signal from the secondary output. In our application, the high voltage CT secondary is installed as a continuous “loop”, with a single conductor connected to both secondary terminals.

To convert the 0~5 amp signal to a 0~ 2 volt signal, Honeywell’s Current Sensors are installed on the CT secondary conductor. A set of 25 amp sensors is used in this application. These sensors have the high voltage CT secondary conductor passed through them five (5) times (see below) by looping the secondary conductor as shown in the drawing. The reason for this is so that the 5 amp secondary now appears to the current sensor as a 0~25 amp signal. This creates a conversion of the CT’s primary current to a directly proportional 0~ 2 volt signal which is utilized by the Honeywell meter. The example from the first paragraph has now become a 400 amp to 2 volt device, by this technique.

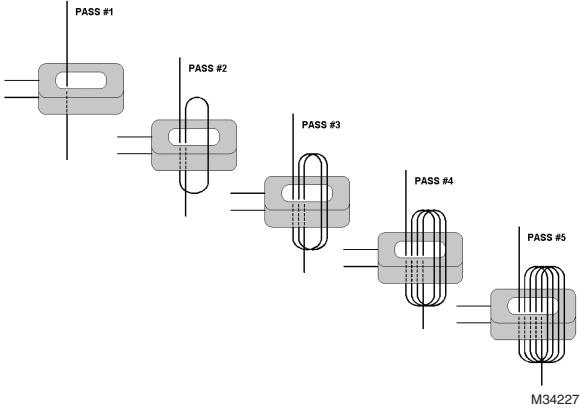


Fig. 29. High Voltage CTs.

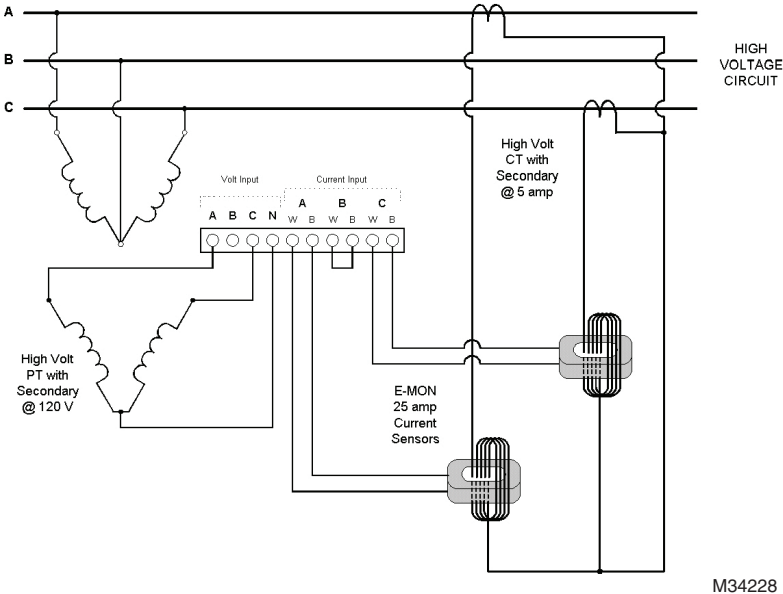


Fig. 30. Wiring Diagram For 3-wire High Voltage Circuits.

E-MON CLASS 2000 METER

This special high voltage meter installation shows the correct wiring procedure for 3-wire high voltage circuits. In this application, the 2 element meter connection is used on the secondary circuits of the user supplied high voltage PTs and CTs.

The Honeywell E-Mon meter used in this application is the model 12025 HV.

Installation of these meters requires the use of two (2) current sensors mounted on the secondaries of the high voltage Current Transformers. See the drawing above for proper wiring. For correct operation, the meter must be installed correctly.

This special high voltage meter installation utilizes high voltage PTs (Potential Transformers) and CTs (Current Transformers) supplied by others. The Honeywell E-Mon meter is installed using the secondary outputs of these devices.

High voltage PTs reduce the primary voltage (4160v, 13200v, etc.) to a Secondary output of 120v. This secondary is connected to the Honeywell E-Mon meter voltage inputs as shown in the wiring diagram. High voltage CTs reduce the primary current (amps) to a directly proportional 0~5 amp output. As an example, a 0~400 amp primary becomes a 0~5 amp proportional signal from the secondary output. This allows much smaller wiring to be utilized in the meter hookup. The high voltage CT secondary is installed as a continuous "loop", with a single lead connected to both secondary terminals.

Honeywell E-Mon meters accept a 0~2 volt signal from their Current Sensors. To convert the 0~5 amp signal, the Current Sensors are installed on the CT secondary lead. A set of 25 amp sensors is used in this application. These sensors have the high voltage CT secondary lead passed through them five (5) times by looping the wire as shown in the drawing. This allows a direct conversion of the CTs primary current to a directly proportional 0~2 volt signal, which is used by the meter.

Since there is a signal ratio introduced by the high voltage CTs and PTs, it will be necessary to multiply the number on the meter's display for a correct reading. The meter multiplier is calculated by using the CT ratio and the PT Ratio. [PT_r x CT_r / Number of Secondary Lead Passes Through Sensor]. The Honeywell E-Mon 25 amp HV kWh meter with 5 wraps of the high voltage CT secondary will have its multiplier calculated by the formula shown below.

EXAMPLE:	CT = 400:5 = 80:1 (CT _r = 80)
	PT = 4200:120 = 35:1 (PT _r = 35)
	Wraps (Passes) = 5
	METER MULTIPLIER = PT_r x (CT_r/Wraps)
	35 x (80/5)
	35 x (16) = 560

12.0 FREQUENTLY ASKED QUESTIONS

Q. When providing line voltage to the meter, can I tap off of the same breaker I am monitoring?

A. Yes, the voltage can be pulled from the same breaker being monitored.

Q. Can the meter's line voltage wires be run in the same conduit as the sensor leads?

A. Yes, there will be no effect on the meter if the sensor leads and line voltage wires are run in the same conduit.

Q. Can the meter communication wires and line voltage wires be run in the same conduit?

A. It is NOT recommended to run these wires together due to noise concerns and their effects on the communications signal integrity. Communication wires can be routed separately using the 1/2" conduit port.

Q. How do I find the cost for kWh and kW to bill my tenants?

A. Your local utility bill should list the cost per kWh and kW. If not, simply call your utility and ask them to provide you with the cost per kWh and kW.

Q. What size wire do I use for the line voltage leads?

A. These wires are normally #14 AWG, but be sure to consult your local electrical codes for proper sizing requirements.

Q. What size wire should I use to extend the current sensor leads?

A. These wires are normally sized at #14-22 AWG, twisted pair arrangement. Consult your local electrical codes for proper sizing requirements.

Q. The load I need to monitor has parallel feeds. How do I install the current sensors for this application?

A. There are two ways you can monitor parallel feeds. One method is to clamp the sensors around all feed wires for each phase (no additional reading multiplier required). The second way to monitor parallel feeds is to clamp the sensor around one of the feed wires for each phase, and when you read the kWh meter the final reading must be multiplied by the number of feed wires for each phase.

Q. I have two subpanels I would like to monitor with one meter. These subpanels are fed by different transformers in the building. Can I parallel sensors and monitor both panels with one meter?

A. No. These panels cannot be monitored by one meter because they are different power sources. When you parallel current sensors, all loads must be from the same voltage source.

E-MON CLASS 2000 METER

Q. I have 5 breakers in one subpanel I would like to monitor with one meter. Can this be done without having to parallel current sensors?

A. Yes. Simply run all the breaker wires through one set of current sensors. Make sure all A phase circuits are run through the A phase sensor, and the same for B & C phases. The meter should be sized by the highest amount of current being monitored by one sensor.

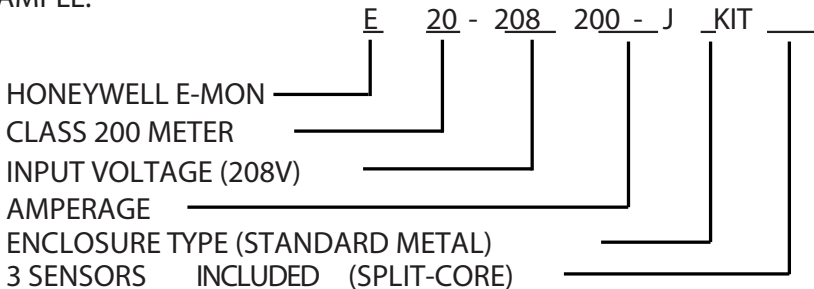
Q. I've gone through the troubleshooting guides and I still can't get my meter to work. What should I do?

A. Before removing the unit, contact Honeywell's technical support department, and our experts will assist you in detailed troubleshooting of the meter installation and assist you in getting the meter functional without having to remove and return the unit.

13.0 METER TECHNICAL SPECIFICATIONS

Ordering Information: Define brand, class, input voltage, current sensor amperage, enclosure type, and sensor type in the format A-B-CCC-DDD-E-FFF where:
A = Brand: E for Honeywell E-Mon
B = 20 for E-Mon Class 2000
CCC = Input Voltage: 208, 480 or 600
DDD = Amperage: 100, 200, 400, 800, 1600, 3200
E = Enclosure Type: J = standard metal, R= outdoor UL Type 4X (equivalent to NEMA 4X)
FFF = Current Sensors included: KIT = 3 sensors included, "Blank" = None supplied

EXAMPLE:



M33215

Input Voltage Configuration	3-wire (Delta) Or 4-wire (Wye)
Mains Voltage Input	Up To 480 VAC RMS Available
Input Power	6 VA Maximum Rating
Current Sensor Rating	Up To 3200 Amps RMS AC Available
Power Factor	0.5 Leading Or Lagging
Line Frequency	50-60 Hz
Metering Accuracy	Certified To ANSI C12.16 (+/-% From 1- 100% Of Rated Load)
Voltage Operating Range	+/-10% Of Rated Load
Temperature Range	-20 C To +50 C (Standard indoor enclosure):
Temperature Range	-20 C To +70 C UL Type 4X (equivalent to NEMA 4X)
Relative Humidity Range	0-95% Non-condensing
Altitude	200 Meters Maximum
Voltage Overload	+25% Continuously; +100% For 20 Cycles
Current Sensor Overload	100% For 1 Minute Without Damaging Meter
Pollution Degree	Degree 2 In Accordance With IEC 664
Installation (Overvoltage) Category	Category 111
Measurement Category	Category 111
Enclosure Material	Indoor Housing Rating (Standard): Type 1 Outdoor Housing Rating (Optional): UL Type 4X (equivalent to NEMA 4X)
Display Readout	KWh Accumulated,
Standard Ranges	4-Wire Wye, 120/208 VAC: 100, 200, 400, 800,1600,3200 Amp 2 Phase, 120/240 VAC: 100, 200, 400, 800,1600,3200 Amp 4-Wire Wye, 277/480 VAC: 100, 200, 400, 800,1600,3200 Amp 3-Wire Delta, 220/240 VAC: 100, 200,400,800,1600,3200 Amp 3-Wire Delta, 480 VAC: 100, 200, 400, 800,1600,3200 Amp

E-MON CLASS 2000 METER

Modem Interface	Cable:	UL-listed Telephone Cord, 6-cond. 300 VAC, Stranded Cond. 22-26 AWG.
	Cable Connector:	RJ-45 male IDC
	Input/Output Voltage:	+5 VDC/18 VAC
	Ckt Input Isolation	5.3K VAC for 1 Minute
	Baud Rate:	9600
IDR Interface Port	Cable:	UL-listed/rated Telephone Cord. 4-cond.
	Input/output Voltage:	Ground-isolated +/-5.4VDC
	Cable Connector:	RF-45 Male IDC Or Screw Terminal Termination
	Circuit Input Isolation:	5.3kVAC
	Circuit output Isolation:	21.5kVAC
	Isolated Pulse/Alarm Outputs (TB5, TB6):	
	Output Voltage Potential:	0 VDC to +5 VDC Logic Levels
	Mating Plug Connector:	Weidmuller PN: 152876
Recommended In-line Fuse	Signal Isolation Voltage:	5.3K VAC for 1 Minute
	Manufacturer:	Littlefuse
	Mfg. Part No:	KLDR.100
Battery Cell	Rating:	100mA, Time-delay, 600VAC Cartridge Fuse
	Description:	Non-rechargeable Cell Used For Memory Retention
	Manufacturer:	Eagle-Picher
	Mfg Part No:	LTC-3PN-S2
	Working Voltage:	3.5VDC
Current Capacity	350mAh	
Electrolyte:	Lithium Thionyl Nitrate	

14.0 METER LIMITED WARRANTY

Subject to the exclusions listed below, Honeywell will either repair or replace (at its option) any product that it manufactures and which contains a defect in material or workmanship.

The following exclusions apply:

1. This Limited Warranty is only effective for a period of (5) five years following the date of manufacture when installed in accordance with manufacturer's instructions by qualified personnel.
2. Honeywell must be notified of the defect within ninety (90) days after the defect becomes apparent or known.
3. Buyer's remedies shall be limited to repair or replacement of the product or component which failed to conform to Honeywell's express warranty set forth above.
4. Buyer shall be responsible for all freight costs and shall bear all risk of loss or damage to returned goods while in transit.
5. This Limited Warranty does not cover installation, removal, reinstallation, or labor costs, and excludes normal wear and tear. Buyer shall provide labor for the removal of the defective component or item and installation of its replacement at no charge to Honeywell.
6. This Limited Warranty does not cover any product if: (i) a product is altered or modified from its original manufactured condition, (ii) any repairs, alterations or other work has been performed by Buyer or others on such item, other than work performed with Honeywell's authorization and according to its approved procedures; (iii) the alleged defect is a result of abuse, misuse, improper maintenance, improper installation, accident or the negligence of any party; (iv) damaged as a result of events beyond Honeywell's control or other force majeure events or (v) used in conjunction with equipment, components, accessories, parts or materials not supplied or approved by Honeywell.
7. This Limited Warranty is limited to the obligation to repair or replace the manufactured product. This is the sole and exclusive remedy for any breach of warranty. IN NO EVENT SHALL HONEYWELL BE LIABLE FOR ANY INDIRECT, INCIDENTAL, SPECIAL, CONSEQUENTIAL OR PUNITIVE DAMAGES (INCLUDING ANY DAMAGE FOR LOST PROFITS) ARISING OUT OF OR IN CONNECTION WITH THE FURNISHING OF PRODUCTS, PARTS OR SERVICES, OR THE PERFORMANCE, USE OF, OR INABILITY TO USE ANY PRODUCTS, PARTS OR SERVICES, SALE OF OR OTHERWISE, WHETHER BASED IN CONTRACT, WARRANTY, TORT, INCLUDING WITHOUT LIMITATION, NEGLIGENCE, OR ANY OTHER LEGAL OR EQUITABLE THEORY.
8. EXCEPT AS EXPRESSLY PROVIDED HEREIN, HONEYWELL MAKES NO WARRANTY OF ANY KIND, EXPRESS OR IMPLIED WITH RESPECT TO ANY PRODUCTS, PARTS OR SERVICES PROVIDED BY HONEYWELL INCLUDING, BUT NOT LIMITED TO, THE IMPLIED WARRANTIES OF MERCHANTABILITY AND FITNESS FOR A PARTICULAR PURPOSE. PRODUCTS OR COMPONENTS DISTRIBUTED, BUT NOT MANUFACTURED, BY HONEYWELL ARE NOT WAR-

E-MON CLASS 2000 METER

RANTED BY HONEYWELL AND BUYER MUST INSTEAD RELY ON THE REPRESENTATIONS AND WARRANTIES, IF ANY, PROVIDED DIRECTLY TO THE BUYER BY THE MANUFACTURER OF SUCH PRODUCT OR COMPONENT.

Test Equipment Depot - 800.517.8431 - TestEquipmentDepot.com

Home and Building Technologies

Honeywell

® U.S. Registered Trademark
© 2018 Honeywell International Inc.
62-0396-03 M.S. Rev. 05-18
Printed in United States