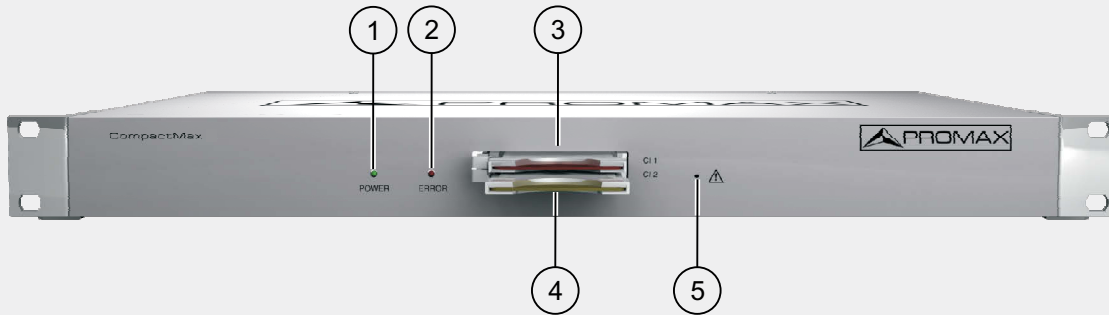
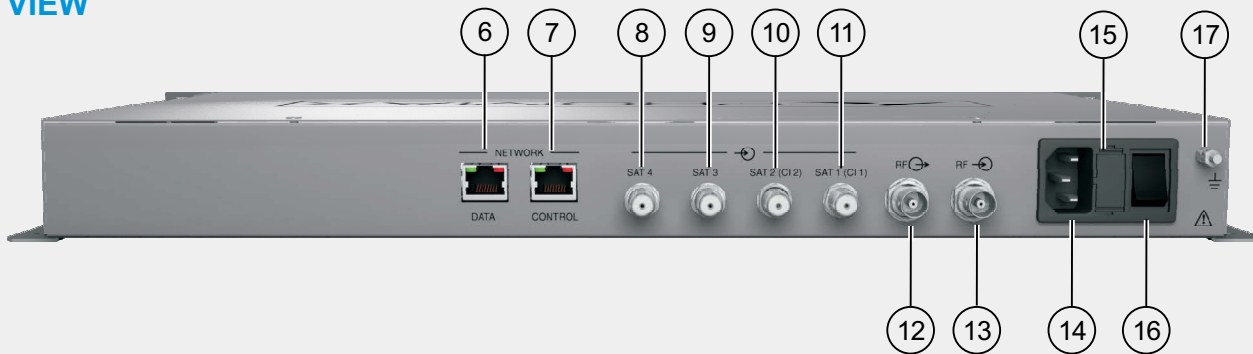


FRONT VIEW

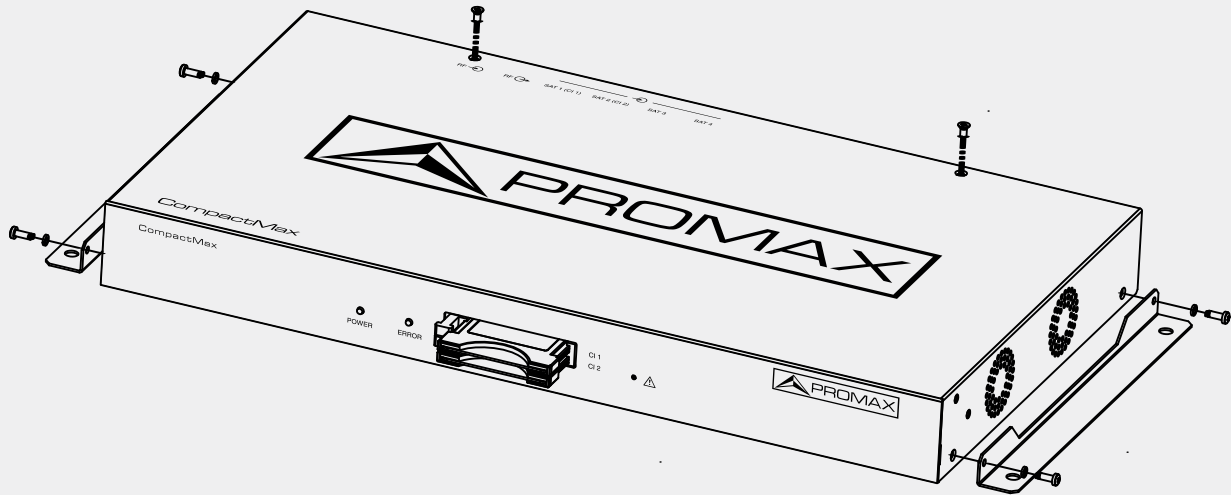


REAR VIEW



- ① Power On indicator.
- ② Error indicator.
- ③ Common Interface input (CI#1) for decoder card.
- ④ Common Interface input (CI#2) for decoder card.
- ⑤ IP address reset.
- ⑥ Ethernet connection for data network.
- ⑦ Ethernet connection for equipment control (IP by default: 192.168.29.30; user: Admin; password: Admin).
- ⑧ Input #4 for satellite signal (DVB-S/S2) free channels.
- ⑨ Input #3 for satellite signal (DVB-S/S2) free channels.
- ⑩ Input #2 for satellite signal (DVB-S/S2) scrambled channels (connected to CI#2).
- ⑪ Input #1 for satellite signal (DVB-S/S2) scrambled channels (connected to CI#1).
- ⑫ Not used
- ⑬ Not Used
- ⑭ Power connector (110 - 230 V AC).
- ⑮ Fuse holder.
- ⑯ On / Off switch.
- ⑰ Earth connection.

WALL MOUNTING



RACK MOUNTING

