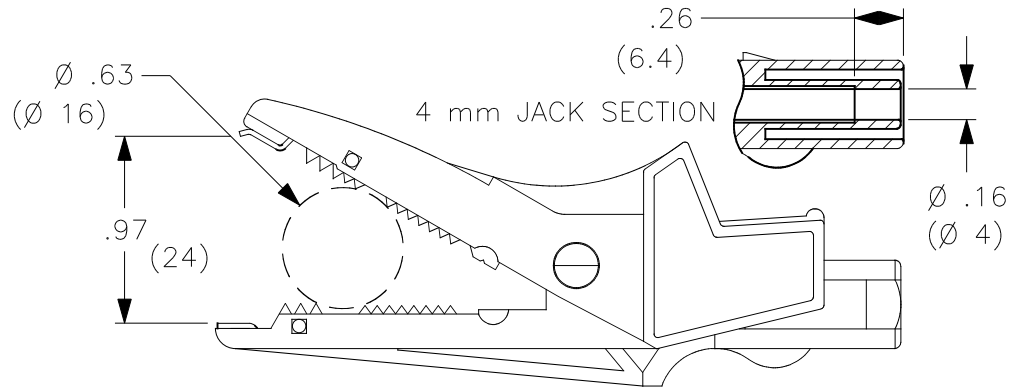
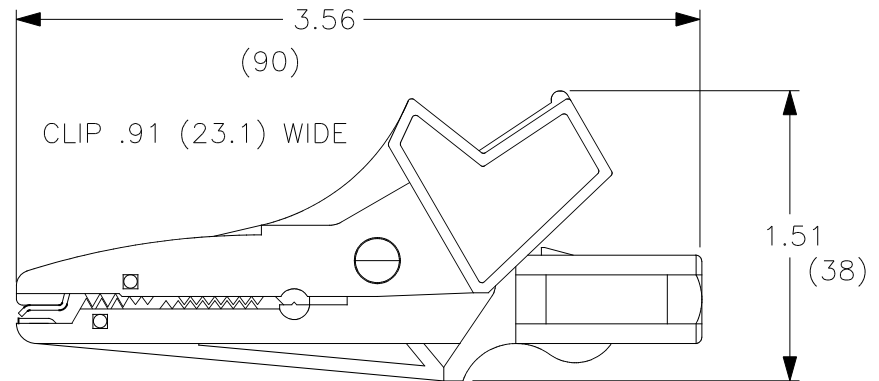


THIS IS ISSUED IN STRICT CONFIDENCE THAT IT IS NOT USED AS A BASIS FOR MANUFACTURE OR SALE AND THAT IT IS NOT COPIED, REPRINTED OR DISCLOSED TO A THIRD PARTY EITHER WHOLLY OR IN PART WITHOUT THE PRIOR WRITTEN CONSENT OF CAL TEST ELECTRONICS, INC.

Test Equipment Depot
 99 Washington St. Melrose MA, 02176
 1.800.517.8431 | 781.665.0780 (Fax)
 Visit us at www.TestEquipmentDepot.com

REVISIONS			
REV.	DESCRIPTIONS	DATE	APPROVED
-	CLASS A RELEASED	1/12/02	
A	ADDED CAGE CODE	6/18/02	

- LARGE INSULATED ALLIGATOR CLIP w/4 mm SAFETY BANANA JACK.
- SPECIFICATIONS:
 INSULATOR: POLYAMIDE (NYLON)
 CONTACT: BRASS, NICKEL PLATED
- RATING:
 VOLTAGE: 1000 V CATIII/600 V CATIV (IEC61010-031)
 CURRENT: 20 A MAX.
 TEMPERATURE: -20° C TO +80° C.



PART NUMBER

CT2392A-#

- COLOR:
- 0 - BLACK
 - 2 - RED
 - 4 - YELLOW
 - 5 - GREEN
 - 6 - BLUE
 - 9 - WHITE

THIRD ANGLE PROJECTION		UNLESS OTHERWISE SPECIFIED DIMENSIONS ARE IN INCHES TOLERANCES ARE: FRACTIONS DECIMALS ± 1/32 .XX ± .02 DO NOT SCALE DRAWING .XXX ± .005		CONTRACT NO.		Cal Test Electronics 22820 Savi Ranch Parkway Yorba Linda, CA					
		MATERIAL		APPROVALS		DATE		TITLE			
		FINISH		DRAWN WDH		1/12/02		LARGE INSULATED ALLIGATOR CLIP			
NEXT ASSY		USED ON		ENGR.		DESIGN ACTIVITY		SIZE A	CAGE CODE 43F45	DWG. NO. P2392A0	REV. A
APPLICATION								SCALE 1:1	SHEET 1 OF 1		