

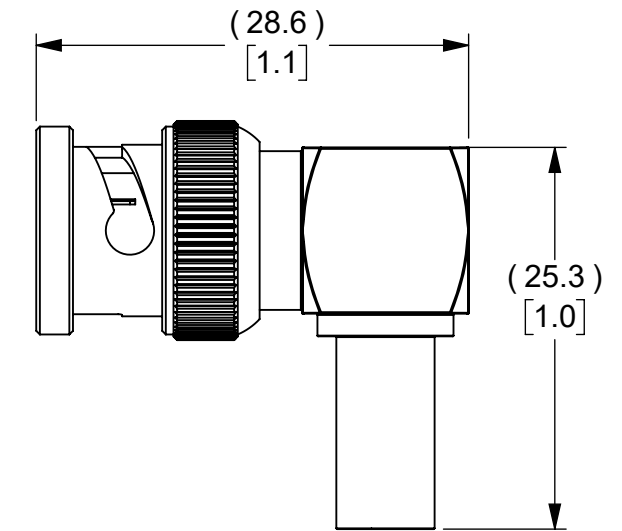
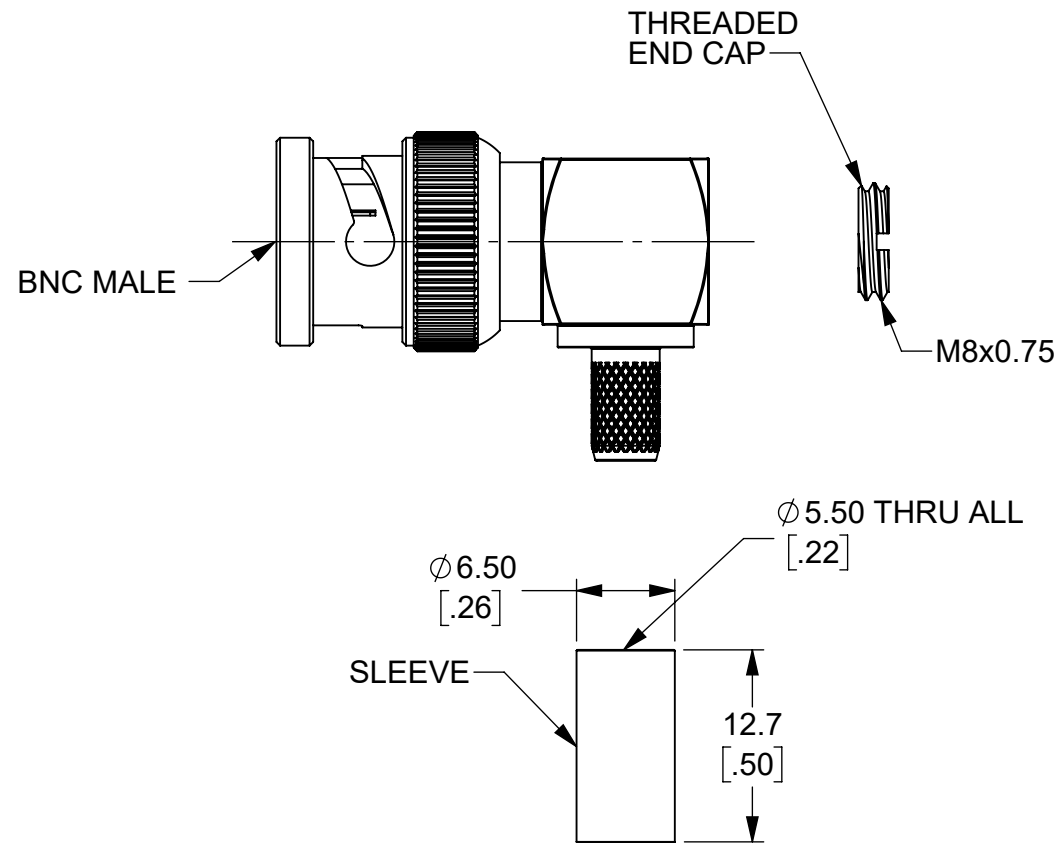
THIS IS ISSUED IN STRICT CONFIDENCE THAT IT IS NOT USED AS A BASIS FOR MANUFACTURE OR SALE AND THAT IT IS NOT COPIED, REPRINTED OR DISCLOSED TO A THIRD PARTY EITHER WHOLLY OR IN PART WITHOUT THE PRIOR WRITTEN CONSENT OF CAL TEST ELECTRONICS, INC.

Test Equipment Depot - 800.517.8431 - 5 Commonwealth Ave, MA 01801

TestEquipmentDepot.com

REVISIONS			
REV.	DESCRIPTION	DATE	APPROVED
A	INITIAL RELEASE	11/15/2023	B. Hansen

- NOTES:**
- ALL SPECIFICATIONS SUBJECT TO CHANGE WITHOUT NOTICE.
  - ADAPTER TO MEET OR EXCEED ALL SPECIFICATIONS PER MIL-PRF-39012.
  - MATING DIMENSIONS IN ACCORDANCE WITH MIL-STD-348.
  - FREQUENCY RANGE SPECIFICATIONS ARE FOR REFERENCE AND ARE DEPENDENT ON CABLE TYPE AND OTHER APPLICATION SPECIFIC CONDITIONS.
  - MATERIAL:
    - BODY: BRASS, NICKEL PLATED
    - CENTER CONTACT: BRASS, GOLD PLATED
    - SLEEVE: BRASS, NICKEL PLATED
    - THREADED END CAP: BRASS, NICKEL PLATED
    - PLATED DIELECTRIC: DELRIN
  - ELECTRICAL:
    - IMPEDANCE: 50Ω
    - FREQUENCY: DC - 2 GHz
    - WORKING VOLTAGE: 500 Vrms
  - CABLE TYPE:
    - THE CT4508 IS INTENDED TO BE USED WITH THE FOLLOWING TYPES OF:
      - CABLE: RG-58
  - ASSEMBLY INSTRUCTIONS ON SHEET 2 OF 2.
  - MECHANICAL:
    - TEMPERATURE RANGE: -20°C TO +80°C
  - RoHS AND REACH COMPLIANT



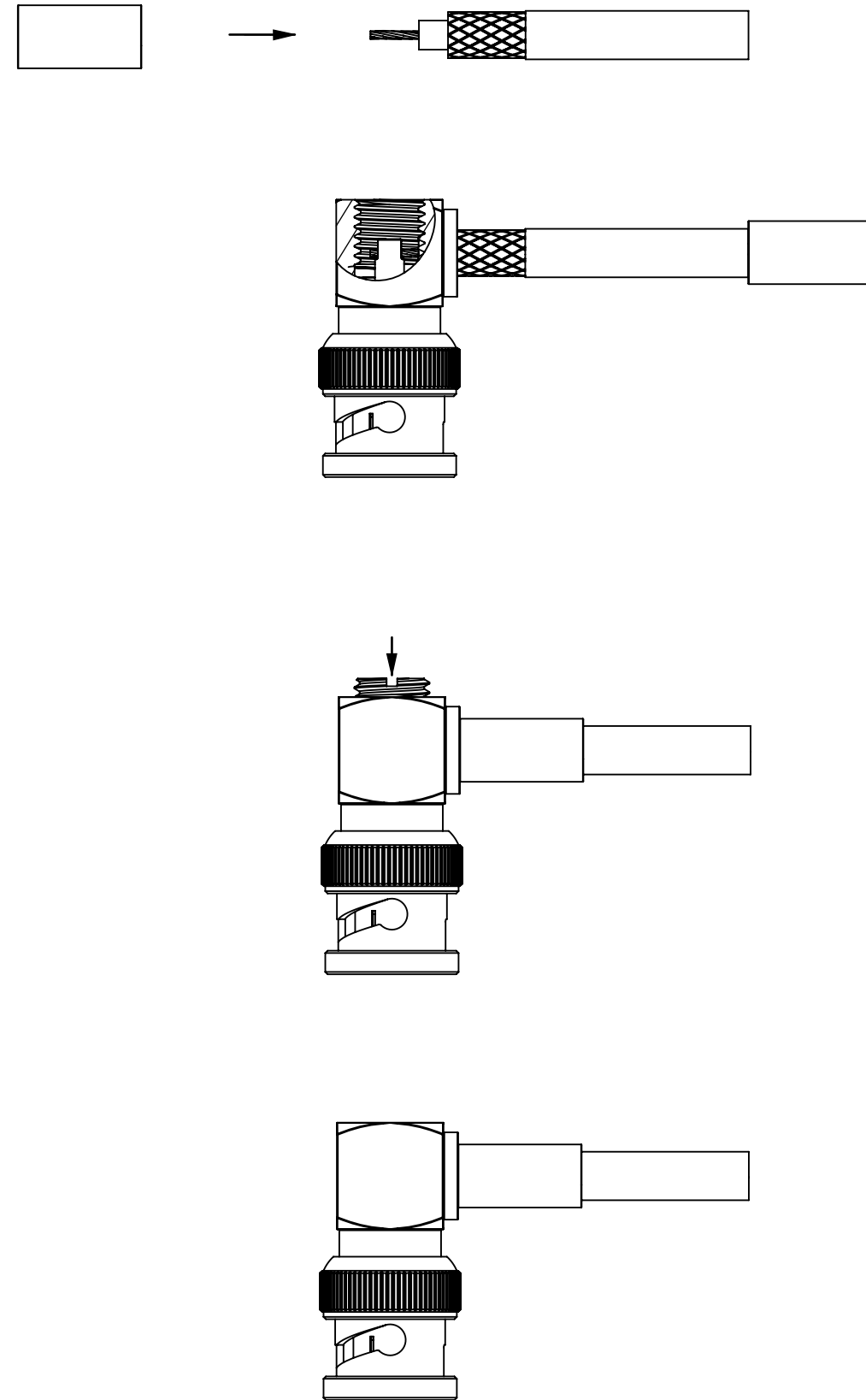
ISOMETRIC VIEW  
FULL SCALE

CT4508	RIGHT-ANGLE CONNECTOR, CRIMP	IN-SERIES CONNECTOR
MODEL NUMBER	CONFIGURATION	NOTES / REFERENCE

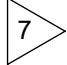
MODEL NUMBER TABLE

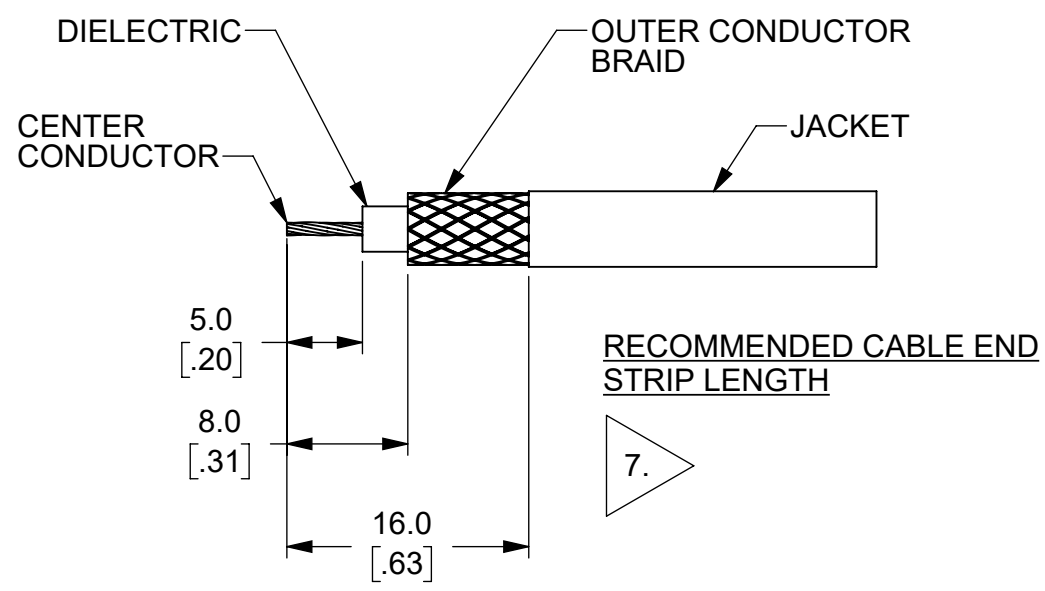
THIRD ANGLE PROJECTION	UNLESS OTHERWISE SPECIFIED DIMENSIONS ARE IN MILLIMETERS TOLERANCES ARE: X.X = ±0.5    X.X* = ±0.5* X.XX = ±0.25 X.XXX = ±0.125 DO NOT SCALE DRAWING	PROJECT NO.		<b>METRIC</b> <b>Cal Test</b> ELECTRONICS    22820 Savi Ranch Prky. Yorba Linda, CA 92887 USA	
		APPROVALS	DATE		TITLE
REFERENCE	MATERIAL SEE NOTES	DRAWN	GSG	11/1/2023	<b>CONNECTOR, BNC MALE 90 DEGREE,          DIY CRIMP</b>
		CHECKER	B. HANSEN	11/1/2023	
FINISH SEE NOTES	TREATMENT NONE	ENGR.	B. HANSEN	11/1/2023	SIZE <b>B</b> CAGE CODE <b>43F45</b> DWG. NO. <b>CT4508</b> REV. <b>A</b>
		DESIGN ACTIVITY			
		SCALE	2:1		SHEET 1 OF 2

THIS IS ISSUED IN STRICT CONFIDENCE THAT IT IS NOT USED AS A BASIS FOR MANUFACTURE OR SALE AND THAT IT IS NOT COPIED, REPRINTED OR DISCLOSED TO A THIRD PARTY EITHER WHOLLY OR IN PART WITHOUT THE PRIOR WRITTEN CONSENT OF CAL TEST ELECTRONICS, INC.



**ASSEMBLY INSTRUCTIONS:**

1. SLIDE CRIMP SLEEVE OVER CABLE JACKET
2. STRIP COAXIAL CABLE END 
3. FLARE OUTER CONDUCTOR BRAID
4. INSERT CABLE INTO BNC CONNECTOR SO THE CENTER CONDUCTOR SITS IN THE SLOTTED AREA OF THE CENTER PIN
5. SOLDER CABLE CENTER CONDUCTOR TO BNC CENTER PIN
6. INSERT END CAP AND ENGAGE THREADS
7. TIGHTEN END CAP UNTIL SECURE
8. ENSURE THE OUTER CONDUCTOR BRAID SEATS PROPERLY AND UNIFORMLY AROUND THE OUTER SURFACE OF THE BNC CRIMP POST
9. CRIMP SLEEVE TO BNC CRIMP POST USING THE APPROPRIATE CRIMP TOOL



<b>METRIC</b>	APPROVALS	DATE	SIZE	CAGE CODE	DWG. NO.	REV.
	DRAWN GSG	11/1/2023	<b>B</b>	<b>43F45</b>	CT4508	<b>A</b>
	CHECKER B. HANSEN	11/1/2023	SCALE 2:1	SHEET 2 OF 2		