

THIS IS ISSUED IN STRICT CONFIDENCE THAT IT IS NOT USED AS A BASIS FOR MANUFACTURE OR SALE AND THAT IT IS NOT COPIED, REPRINTED OR DISCLOSED TO A THIRD PARTY EITHER WHOLLY OR IN PART WITHOUT THE PRIOR WRITTEN CONSENT OF CAL TEST ELECTRONICS, INC.

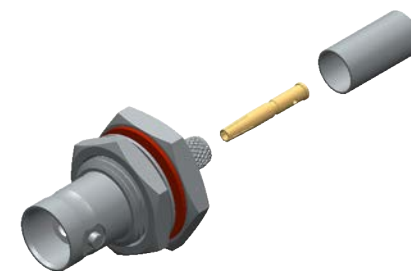
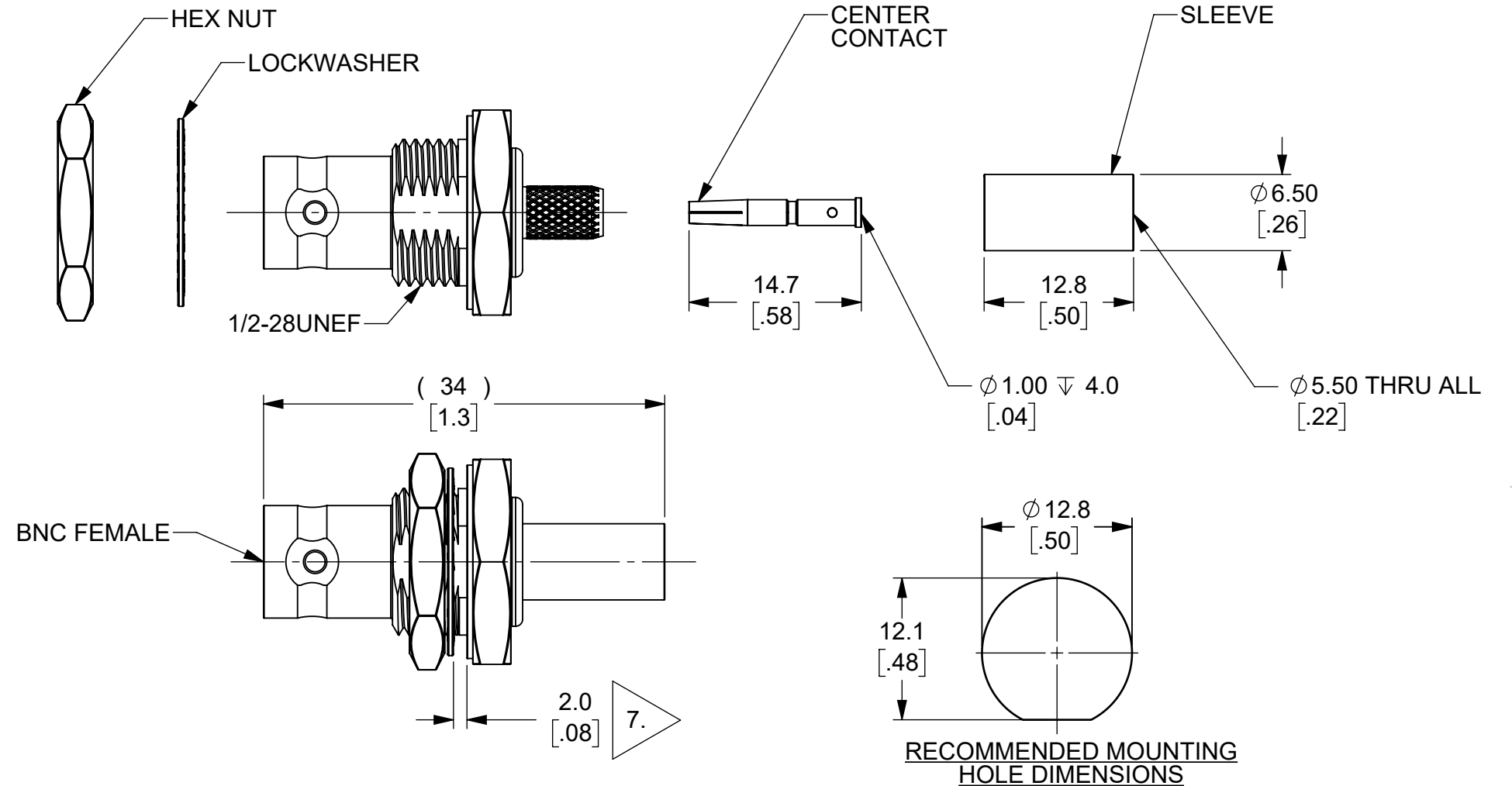
Test Equipment Depot - 800.517.8431 - 5 Commonwealth Ave, MA 01801

TestEquipmentDepot.com

REVISIONS			
REV.	DESCRIPTION	DATE	APPROVED
A	INITIAL RELEASE	11/15/2023	B. Hansen

NOTES:

- ALL SPECIFICATIONS SUBJECT TO CHANGE WITHOUT NOTICE.
- ADAPTER TO MEET OR EXCEED ALL SPECIFICATIONS PER MIL-PRF-39012.
- FREQUENCY RANGE SPECIFICATIONS ARE FOR REFERENCE AND ARE DEPENDENT ON CABLE TYPE AND OTHER APPLICATION SPECIFIC CONDITIONS.
- MATERIAL:
 - BODY: BRASS, NICKEL PLATED
 - CENTER CONTACT: BRASS, GOLD PLATED
 - HEX NUT: BRASS, NICKEL PLATED
 - LOCKWASHER: BRASS, NICKEL PLATED
 - DIELECTRIC: DELRIN
- ELECTRICAL:
 - IMPEDANCE: 50Ω
 - FREQUENCY: DC - 2 GHz
 - WORKING VOLTAGE: 500 Vrms
- CABLE TYPE:
 - THE CT4511 IS INTENDED TO BE USED WITH THE FOLLOWING TYPES OF CABLE:
 - RG-58
- MAXIMUM PANEL THICKNESS: 2.0 mm
- ASSEMBLY INSTRUCTIONS ON SHEET 2 OF 2.
- MECHANICAL:
 - TEMPERATURE RANGE: -20°C TO +80°C
- RoHS AND REACH COMPLIANT



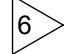
ISOMETRIC VIEW
FULL SCALE

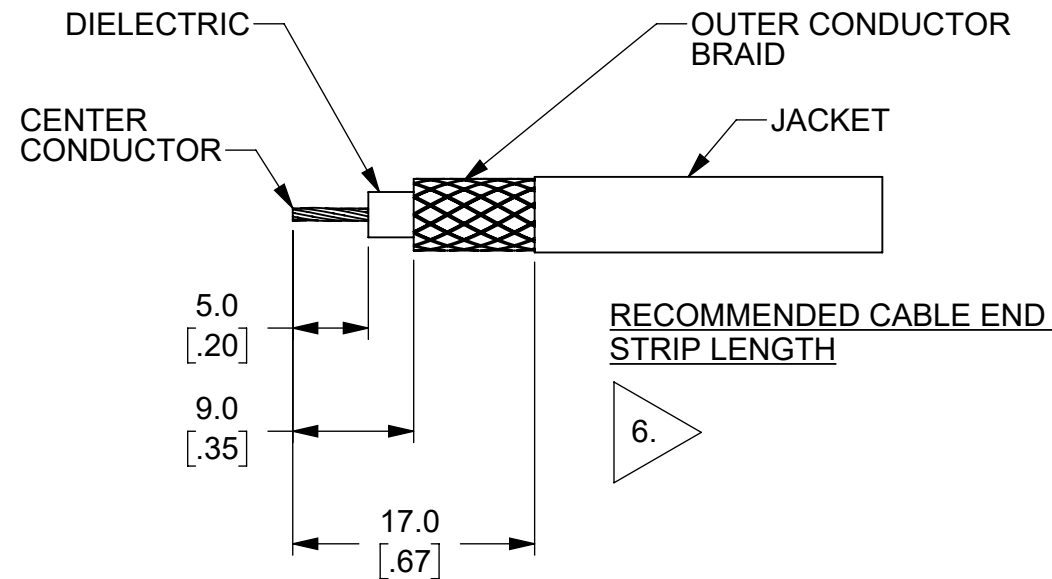
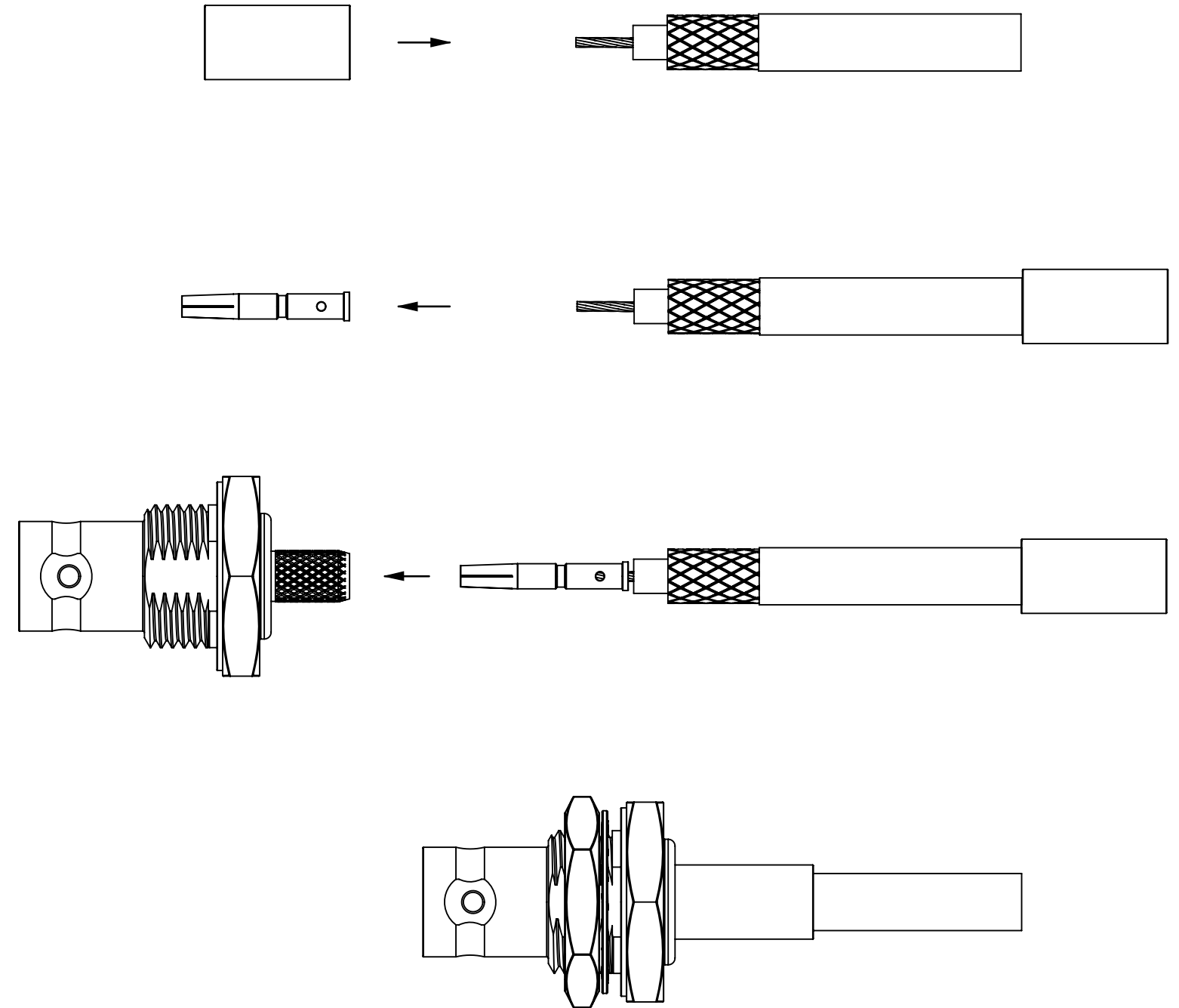
CT4511	BULKHEAD MOUNT, CRIMP	IN-SERIES CONNECTOR
MODEL NUMBER	CONFIGURATION	NOTES / REFERENCE

MODEL NUMBER TABLE

THIRD ANGLE PROJECTION 	UNLESS OTHERWISE SPECIFIED DIMENSIONS ARE IN MILLIMETERS TOLERANCES ARE: X.X = ±0.5 X.X* = ±0.5* X.XX = ±0.25 X.XXX = ±0.125 DO NOT SCALE DRAWING	PROJECT NO.		22820 Savi Ranch Prky. Yorba Linda, CA 92887 USA
		APPROVALS	DATE	
REFERENCE	MATERIAL SEE NOTES	DRAWN GSG	11/13/2023	CONNECTOR, BNC FEMALE, BULKHEAD MOUNT DIY
	TREATMENT NONE	CHECKER B. HANSEN	11/13/2023	
	FINISH SEE NOTES	ENGR. B. HANSEN	11/2/2023	SIZE B
		DESIGN ACTIVITY		CAGE CODE 43F45
				DWG. NO. CT4511
				REV. A
				SCALE 2:1
				SHEET 1 OF 2

THIS IS ISSUED IN STRICT CONFIDENCE
 THAT IT IS NOT USED AS A BASIS FOR
 MANUFACTURE OR SALE AND THAT IT IS
 NOT COPIED, REPRINTED OR
 DISCLOSED TO A THIRD PARTY EITHER
 WHOLLY OR IN PART WITHOUT THE
 PRIOR WRITTEN CONSENT OF CAL TEST
 ELECTRONICS, INC.

- D
- ASSEMBLY INSTRUCTIONS:
1. SLIDE CRIMP SLEEVE ONTO CABLE JACKET
 2. STRIP COAXIAL CABLE END 
 3. INSERT CENTER CONDUCTOR INTO CONTACT HOLE DIAMETER
 4. SOLDER CONTACT TO CENTER CONDUCTOR FOR BETTER PERFORMANCE
 5. FLARE THE OUTER CONDUCTOR BRAID
 6. INSERT CONTACT PIN FIRMLY INTO THE BNC CONNECTOR UNTIL IT SNAPS INTO POSITION
 7. ENSURE THE OUTER CONDUCTOR BRAID SEATS PROPERLY AND UNIFORMLY AROUND THE OUTER SURFACE OF THE BNC CRIMP POST
 8. SLIDE SLEEVE OVER BRAID AND POST
 9. CRIMP SLEEVE TO THE BNC CRIMP POST USING THE APPROPRIATE CRIMPING TOOL
- C



METRIC	APPROVALS	DATE	SIZE	CAGE CODE	DWG. NO.	REV.
	DRAWN GSG	11/13/2023	B	43F45	CT4511	A
	CHECKER B. HANSEN	11/13/2023	SCALE 2:1	SHEET 2 OF 2		