

THIS IS ISSUED IN STRICT CONFIDENCE THAT IT IS NOT USED AS A BASIS FOR MANUFACTURE OR SALE AND THAT IT IS NOT COPIED, REPRINTED OR DISCLOSED TO A THIRD PARTY EITHER WHOLLY OR IN PART WITHOUT THE PRIOR WRITTEN CONSENT OF CAL TEST ELECTRONICS, INC.

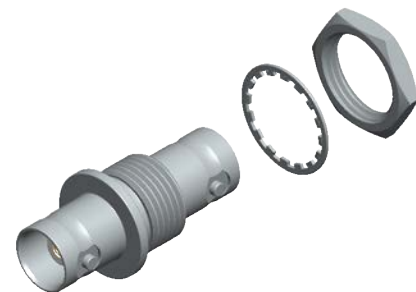
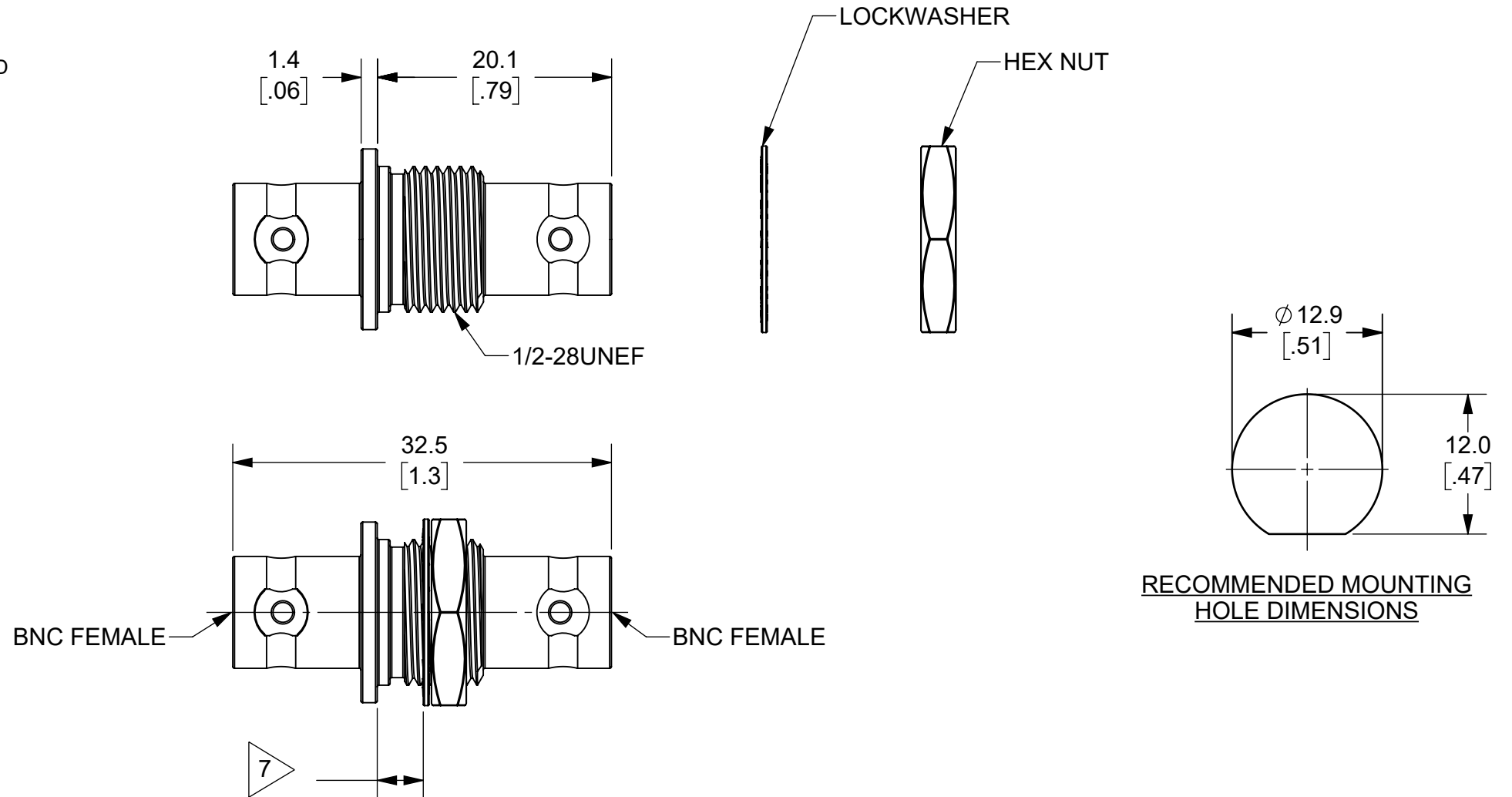
Test Equipment Depot - 800.517.8431 - 5 Commonwealth Ave, MA 01801

TestEquipmentDepot.com

REVISIONS			
REV.	DESCRIPTION	DATE	APPROVED
A	INITIAL RELEASE	11/15/2023	B. Hansen

NOTES:

- ALL SPECIFICATIONS SUBJECT TO CHANGE WITHOUT NOTICE.
- ADAPTER TO MEET OR EXCEED ALL SPECIFICATIONS PER MIL-PRF-39012.
- MATING DIMENSIONS IN ACCORDANCE WITH MIL-STD-348.
- FREQUENCY RANGE SPECIFICATIONS ARE FOR REFERENCE AND ARE DEPENDENT ON CABLE TYPE AND OTHER APPLICATION SPECIFIC CONDITIONS.
- MATERIAL:
  - BODY: BRASS, NICKEL PLATED
  - CENTER CONTACT: BRASS, GOLD PLATED
  - HEX NUT: BRASS, NICKEL PLATED
  - LOCKWASHER: BRASS, NICKEL PLATED
  - DIELECTRIC: DELRIN
- ELECTRICAL:
  - IMPEDANCE: 50Ω
  - FREQUENCY: DC - 2 GHz
  - WORKING VOLTAGE: 500 Vrms
- MAXIMUM PANEL THICKNESS: 4.0 mm
- MECHANICAL:
  - TEMPERATURE RANGE: -20°C TO +80°C
- RoHS AND REACH COMPLIANT



ISOMETRIC VIEW  
FULL SCALE

CT4513		BULKHEAD MOUNT		IN-SERIES CONNECTOR	
MODEL NUMBER		CONFIGURATION		NOTES / REFERENCE	
MODEL NUMBER TABLE					
THIRD ANGLE PROJECTION	UNLESS OTHERWISE SPECIFIED DIMENSIONS ARE IN MILLIMETERS TOLERANCES ARE: X.X = ±0.5    X.X* = ±0.5* X.XX = ±0.25 X.XXX = ±0.125 DO NOT SCALE DRAWING	PROJECT NO.		22820 Savi Ranch Prky. Yorba Linda, CA 92887 USA	
		APPROVALS	DATE	TITLE	
REFERENCE	MATERIAL SEE NOTES	DRAWN GSG	11/7/2023	ADAPTER, BNC FEMALE TO BNC FEMALE, BULKHEAD MOUNT	
	TREATMENT NONE	CHECKER B. HANSEN	11/7/2023		
	FINISH SEE NOTES	ENGR. B. HANSEN	11/7/2023	SIZE <b>B</b>	CAGE CODE <b>43F45</b>
		DESIGN ACTIVITY		DWG. NO. <b>CT4513</b>	REV. <b>A</b>
				SCALE 2:1	SHEET 1 OF 1