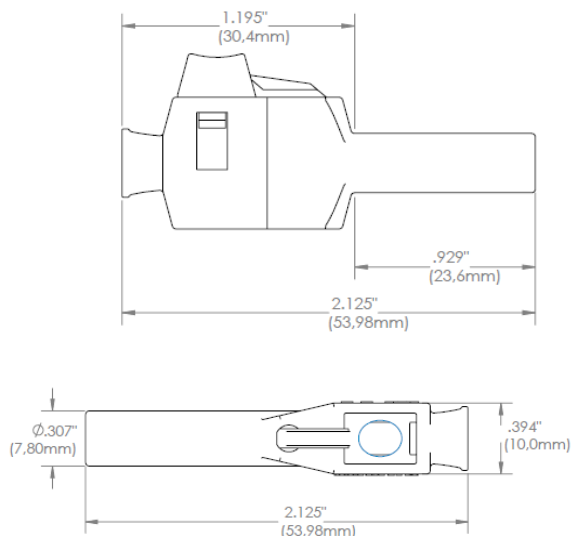
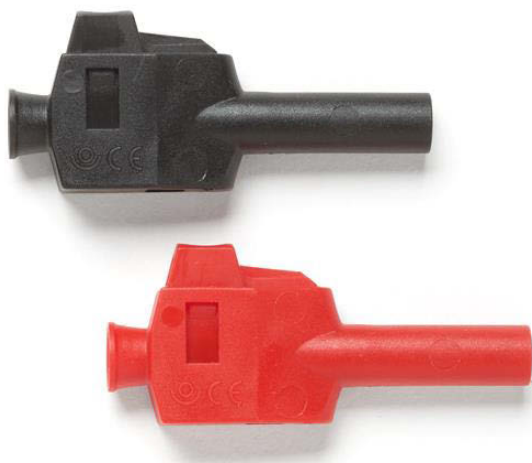


Model 73091

DIY Sheathed 4mm Banana Plug, Quick Wire Attachment



Features

- Attach wires quickly with the push-button tab for easy assembly or test lead repair
- No soldering or set screws required; simply, push and hold the push tab, insert the stripped test lead wire (*strip 4-6mm of insulation*), and release the push tab to secure the wire down
- Banana plug contact is sheathed for higher voltage and added protection
- Make 4mm banana plug test leads conveniently in the field
- Designed to fit on the end of any 22 AWG to 18 AWG wire gauge

Materials

Contact: Nickel-plated brass and steel
 Insulation: Polypropylene and Polyoxymethylene

Specifications

Voltage	*CAT II 600 V / CAT III 300 V
Max Current	20 A
Max Resistance	less than 10 mΩ
*When plug is correctly assembled and terminated	

Ordering Information

Model: 73091-*color*

Color: 0=Black, 2=Red

Do-it-Yourself Sheathed 4mm Banana Plug, Quick Wire Attachment

Test Equipment Depot - 800.517.8431 - 99 Washington Street Melrose, MA 02176 - TestEquipmentDepot.com

All dimensions are in inches. Tolerances (except noted): .xx = ±.02" (.51 mm), .xxx = ±.005" (.127 mm). All specifications are to the latest revisions. Specifications are subject to change without notice. Registered trademarks are the property of their respective companies.