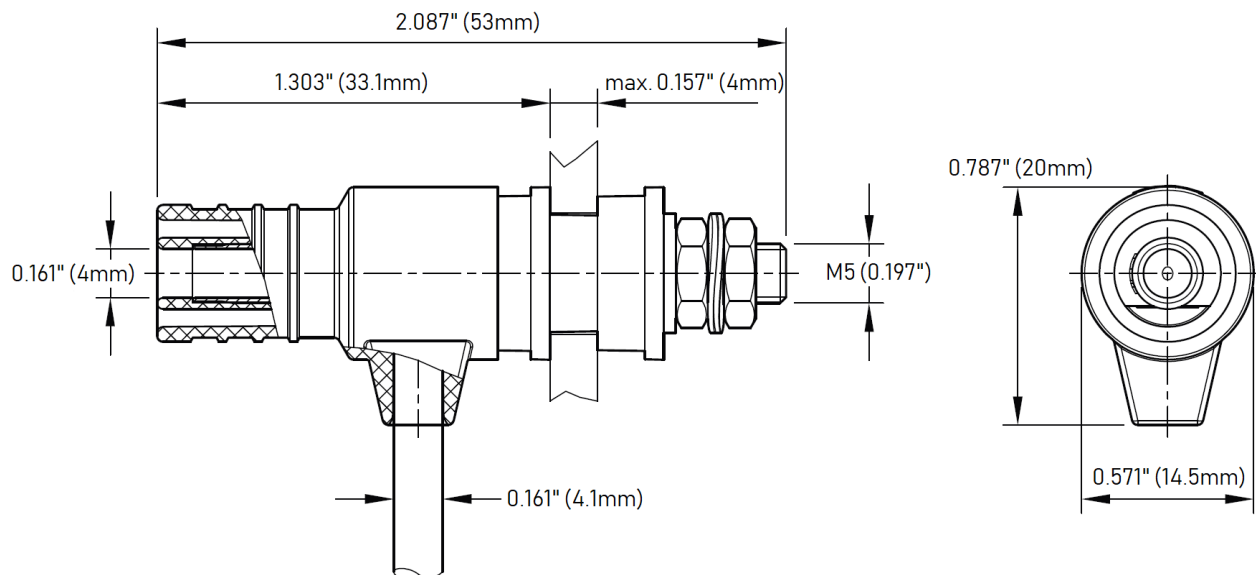


**Model 73095**  
**Spring-Loaded Binding Post with 4mm Safety Jack**



**Features**

- Spring-loaded design offers easy wire attachment
- 3.2mm cross hole for quick wire connection
- Binding post mates with 4mm sheathed banana plugs and test leads
- Ideal for mounting in pre-drilled panels
- Machined brass
- M5 threaded bolt
- Compatible with popular Pomona test lead models 5907A, 5908A, and 5909A test lead sets

**Ratings**

Voltage: CAT II 600V  
Current: 32 A

**Ordering Information**

Model: 73095-*color*  
*Color*: 0=Black, 2=Red  
Spring-Loaded Binding Post with 4mm Safety Jack



Test Equipment Depot - 800.517.8431 - 99 Washington Street Melrose, MA 02176 - TestEquipmentDepot.com

All dimensions are in inches. Tolerances (except noted): .xx = ±.02" (.51 mm), .xxx = ±.005" (.127 mm). All specifications are to the latest revisions. Specifications are subject to change without notice. Registered trademarks are the property of their respective companies.