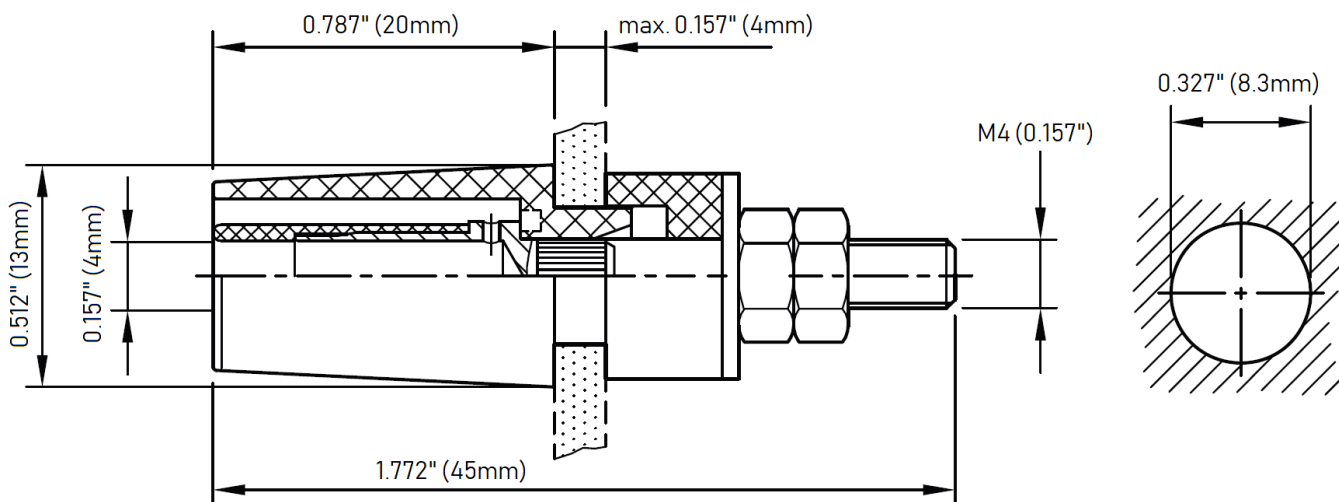


**Model 73098**  
**4mm Mounting Safety Jack**



**Features**

- Insulated 4mm safety jack for sheathed banana plugs
- Ideal for mounting in pre-drilled panels
- Safety jack is raised for easy access
- Machined brass
- Includes panel mount banana jack and 2 hex nuts
- Compatible with popular Pomona test lead models 5907A, 5908A, and 5909A test lead sets

**Ratings**

Voltage: CAT II 1000V  
Current: 32 A

**Ordering Information**

Model: 73098-*color*  
*Color*: 0=Black, 2=Red, 6=Blue  
4mm Mounting Safety Jack



Test Equipment Depot - 800.517.8431 - 99 Washington Street Melrose, MA 02176 - TestEquipmentDepot.com

All dimensions are in inches. Tolerances (except noted): .xx = ±.02" (.51 mm), .xxx = ±.005" (.127 mm). All specifications are to the latest revisions. Specifications are subject to change without notice. Registered trademarks are the property of their respective companies.