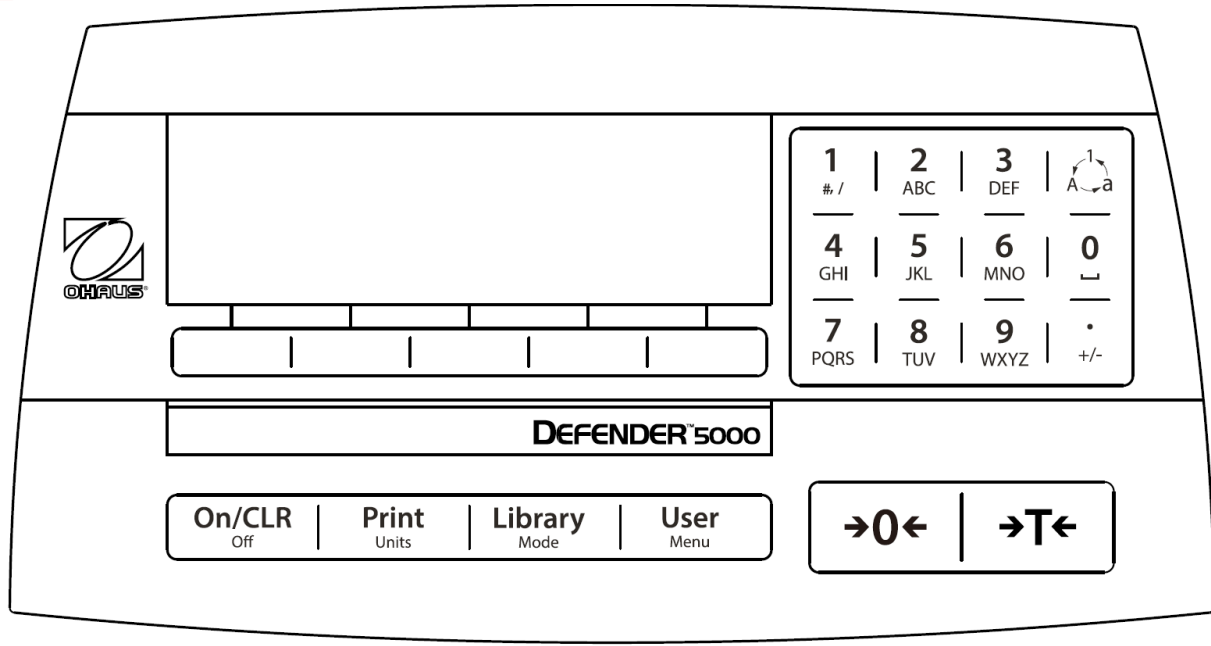




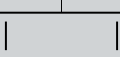







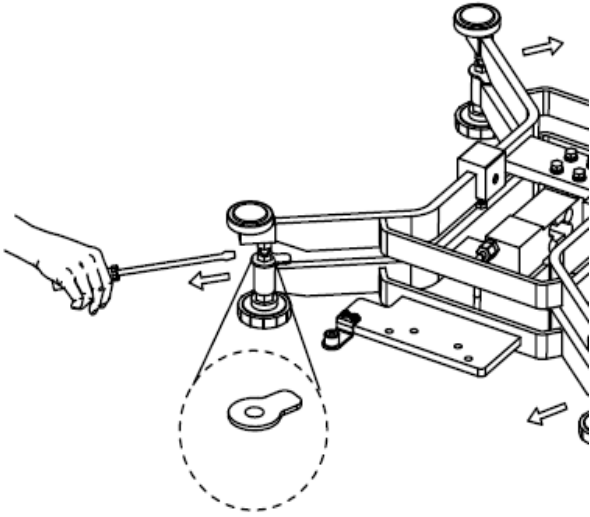
OVERVIEW OF CONTROLS AND FUNCTIONS



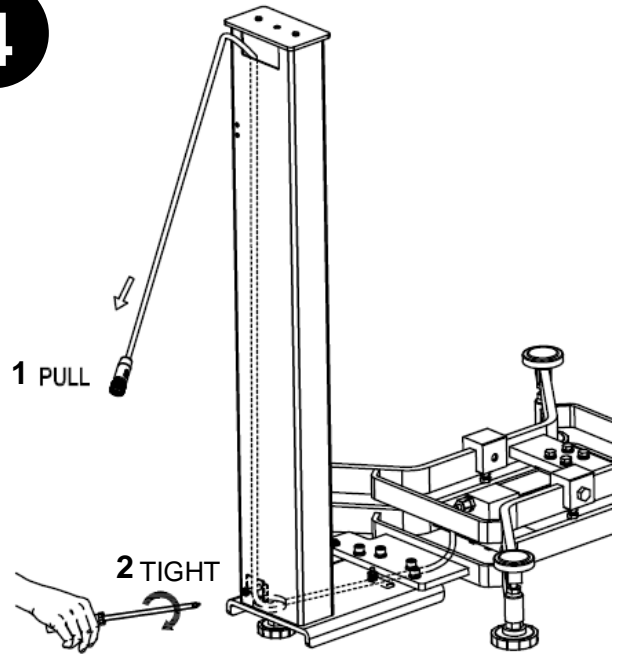
Button	Action
	Short press: If the terminal is Off, power on the terminal; if the terminal is On, clear the data input. Long press: Power off the terminal.
	Short press: Send the current display value to RS232 port in the case where the "Communication -> RS232 setup->Assignment->Demand" is "On". Long press: Change the current weighing unit. Press and hold the key to scroll through the list of enabled units. Release the key to switch to the unit selected.
	Short press: Press the key to enter the Library. Long press: Press and hold this key to change weighing modes. Press and hold the key to scroll through all weighing modes. Release the key to switch to the mode selected.
	Short press: Press the key to enter user profile. Long press: Press the key to enter user menu.
	The soft keys correspond to several icons at the bottom of the display area. These icons indicate configuration, ID input, accumulate, exit, etc. (available in certain circumstances).
	To enter '2'-'9', press the numeric button in the mode of numeric input.
	To Enter 'A', press  2 times in the mode of uppercase input. To enter 'Z', press  5 times in the mode of lowercase input.
	To enter '0', press the button in the mode of numeric input. To enter a space, press the button in the mode of uppercase or lower case input.
	To enter '1', press the button in the mode of numeric input. To enter '#' or '/', press the button in the mode of uppercase input. To enter '@', '_' or '&', press the button in the mode of lowercase input.
	Switch between three input modes, namely, numeric, lowercase and uppercase input.
	To enter '.', press the button in the mode of numeric input. To enter '+' or '-', press the button in the mode of uppercase or lowercase input.
	Short press: When the load on the pan is within the zero range, press this key to set the display to zero.
Short press: When a container is on the pan, press this key to store the weight of the container as the tare value. Short press: Enter the known weight of a container using the numeric keypad, and then press this key to establish the preset tare value. Short press: When a tare has been entered, empty the pan and press this key to clear the tare value. Long press: If a preset tare has been entered, press this key to view the preset tare value.	

COLUMN MOUNT INSTRUCTION

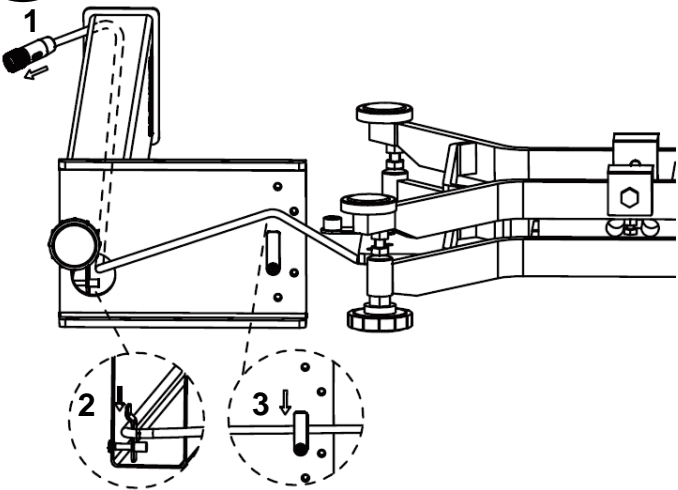
1



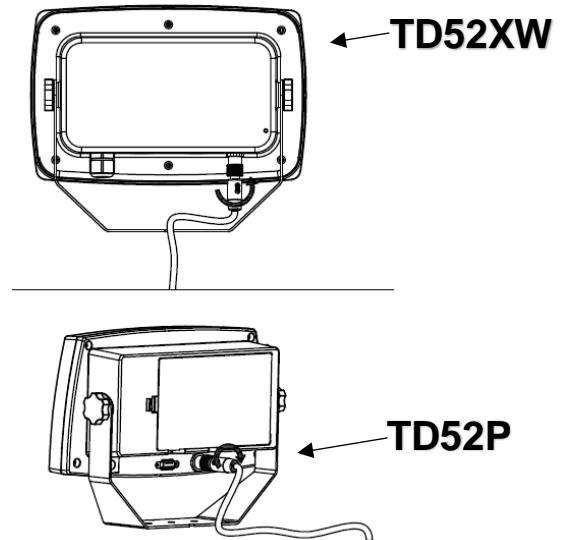
4



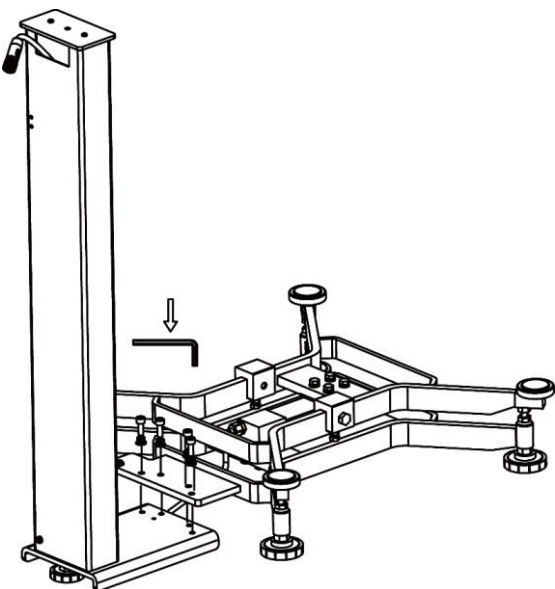
2



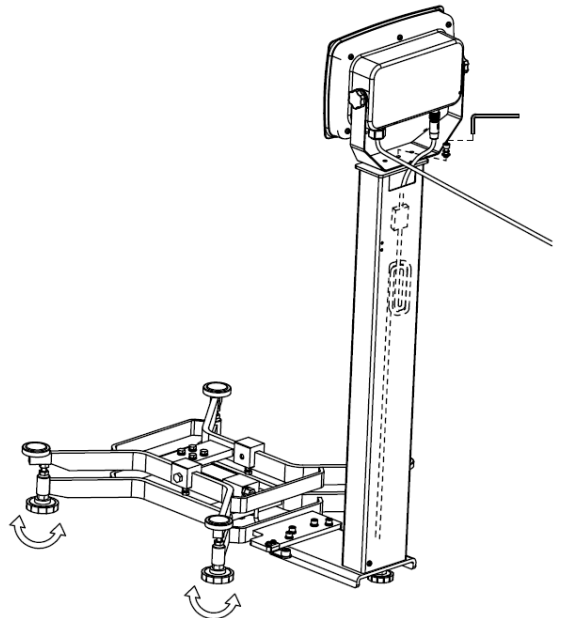
5



3

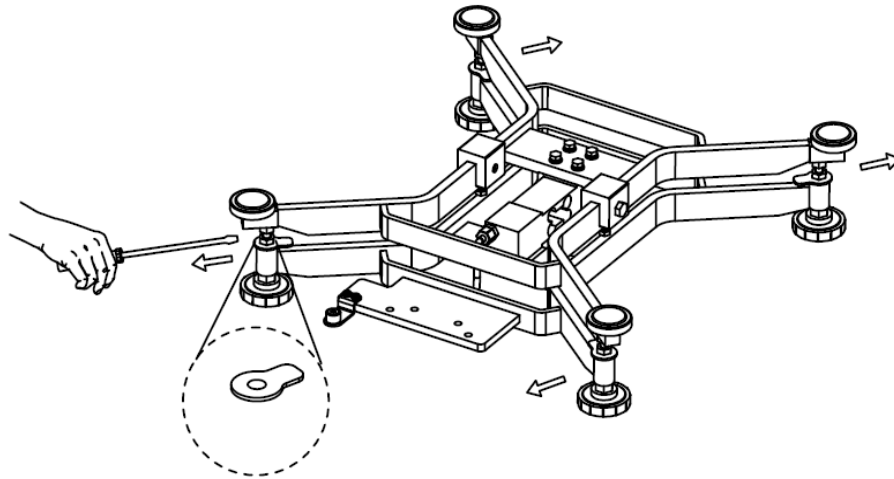


6



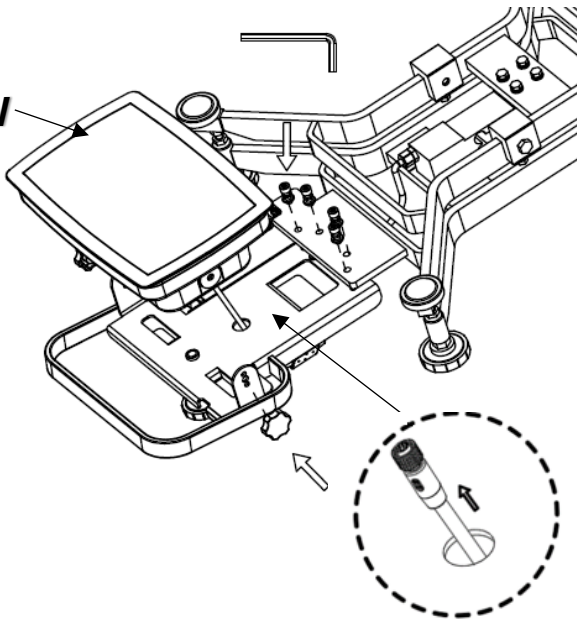
FRONT MOUNT INSTRUCTION

1



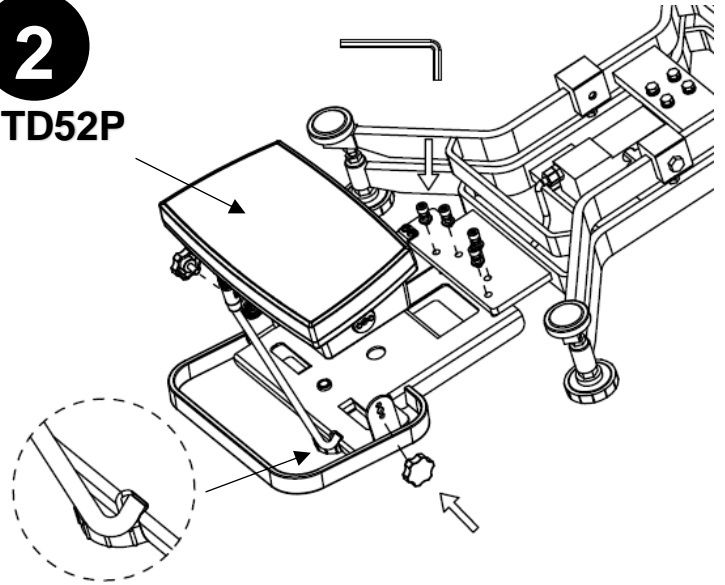
2

TD52XW

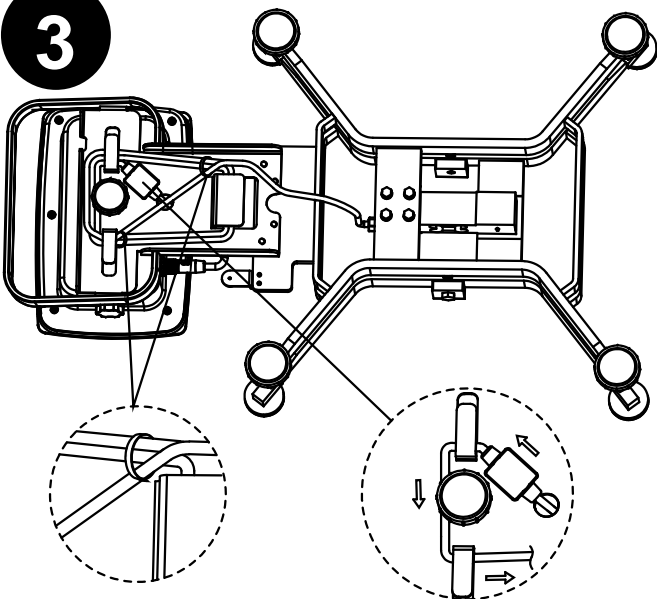


2

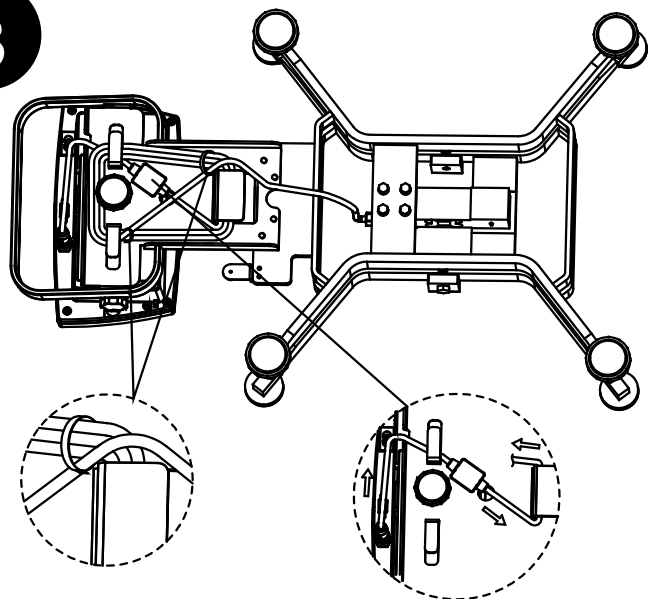
TD52P



3



3



ACCESSORIES AND OPTIONS

P/N	Description
30412537	Dongle Kit, WiFi/Bluetooth (*Requires 30424406)
30424403	Analog Output Kit, TD52
30424404	2 nd RS232/RS485/USB Kit, TD52
30424405	Battery Kit, Li-ion, TD52
30424406	USB Host Kit for Dongle, TD52
30424021	Light Tower, R-Y-G, IP65, 24VDC
30424022	In-Use-Cover, TD52P
30424023	In-Use-Cover, TD52XW
30469948	In-Use-Cover, Set(10), TD52P
30469949	In-Use-Cover, Set(10), TD52XW
30424024	Front Mount Kit, SST, D52
30424025	Printer Holder Kit, SST
30424026	Wall Mount Kit, SST, TD52XW
30424027	Wall Mount Kit, CS, TD52P
30424409	LC Extension Cable, 9m, D52
30424410	Column Kit, 35cm, CS
30424411	Column Kit, 68cm, CS
30424412	Column Kit, 98cm, CS
30424413	Column Kit, 35cm, SST
30424414	Column Kit, 68cm, SST
30424415	Column Kit, 98cm, SST
30429931	Cable Kit, Extension for base
30379716	M16 Gland with Ferrite, to TD52
30303533	Micro SD Card, 8G
30372146	Wheel Kit, Defender Series
30097591	Discrete I/O Kit, 2-In/4-Out, R71 TD52
30429666	Ethernet kit, TD52

INSTRUCTION MANUAL

For more detailed information about the product, please refer to the product instruction manual. The instruction manual can be obtained either by scanning the QR code or by going to the product page and from there download it.

QR Code:



99 Washington Street
Melrose, MA 02176
Phone 781-665-1400
Toll Free 1-800-517-8431

Visit us at www.TestEquipmentDepot.com



* 3 0 4 2 8 8 7 3 *