

# DPM 750S-EB

## 3½ Digit Backlit LCD

### Voltmeter Module

#### ORDERING INFORMATION

Description	Stock No.
Blue Backlighting	DPM 750S-EB-B
Green Backlighting	DPM 750S-EB-G
Magenta Backlighting	DPM 750S-EB-M
Orange Backlighting	DPM 750S-EB-O
Red Backlighting	DPM 750S-EB-R
White Backlighting	DPM 750S-EB-W
Yellow Backlighting	DPM 750S-EB-Y

#### FEATURES

- 12.7mm (0.5") Digit Height
- 200 mV D.c. Full Scale Reading
- 5V d.c. Operation
- Auto-zero and Auto-polarity
- Programmable Decimal Points
- Enhanced black LCD with LED Backlighting
- Low Battery Warning
- Bandgap Reference



The DPM 750S-EB features an enhanced black LCD and 200mV d.c. measurement range with auto-zero and autopolarity. Decimal points are user selectable. The meter features a negative rail generator which enables the meter to measure a signal referenced to its own power supply GND. A low drift bandgap reference circuit ensures accurate readings over a wide temperature range. Enhanced contrast negative mode LCD with white LED backlighting ensures excellent readability under low light conditions. The module's integral window format means it will suit both high and low volume applications. This module is supplied with a plastic mounting bezel. A waterproof seal to IP67 / NEMA 4X is achievable, using the optional BEZ 700-IP bezel.

Specifications	Min.	Typ.	Max.	Unit
Accuracy (overall error) *		0.1		% (± 1 count)
Linearity			±1	count
Sample rate		2.5		samples/sec
Operating temperature range	0		50	°C
Temperature stability		50		ppm/°C
Supply voltage	4.75	5	7.5 **	V d.c.
Supply current @ 5V d.c.	Display on	40	80 ***	mA
	Display disabled		350	μA
Input leakage current (Vin = 0V)		1	10	pA

\* To ensure maximum accuracy, re-calibrate periodically.

\*\* Operation of the meter beyond the maximum supply voltage rating can cause permanent damage to the meter.

\*\*\* An external series resistor is required above 5V, see Applications. This specification linearly derates to 30mA @ 50°C.

Unless otherwise noted, specifications apply at  $T_A = 25^\circ\text{C}$ ,  $V_{\text{supply}} = 5\text{V d.c.}$  ( $f_{\text{clock}} = 40\text{kHz}$ ) and are tested with the module configured for floating input mode.

#### SAFETY

To comply with the LowVoltage Directive (LVD93/68/EEC), input voltages to the module's pins must not exceed 60Vdc. The user must ensure that the incorporation of the panel meter into the user's equipment conforms to the relevant sections of BS EN 61010 (Safety Requirements for Electrical Equipment for Measuring, Control and Laboratory Use).



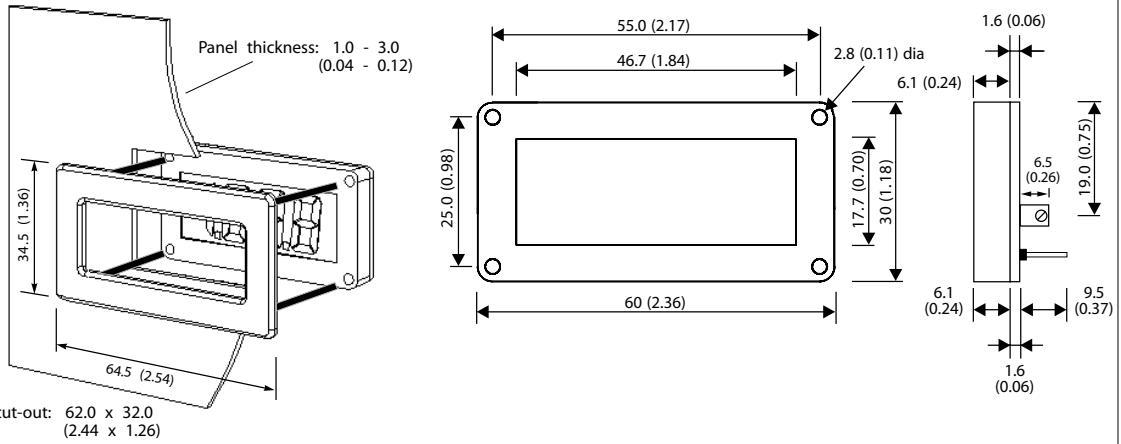
99 Washington Street  
Melrose, MA 02176  
Phone 781-665-1400  
Toll Free 1-800-517-8431

Visit us at [www.TestEquipmentDepot.com](http://www.TestEquipmentDepot.com)

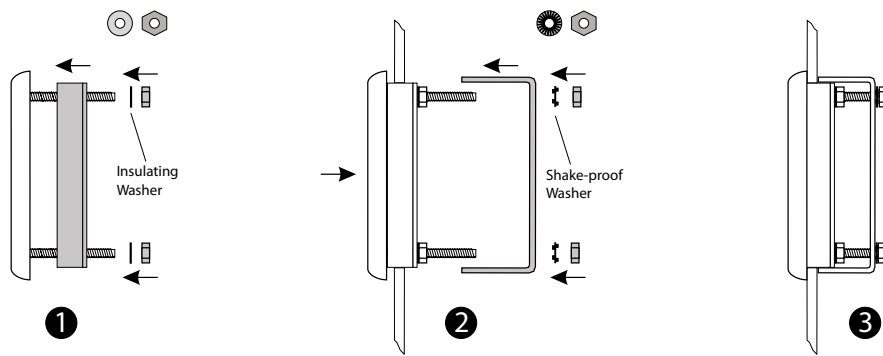


## DIMENSIONS

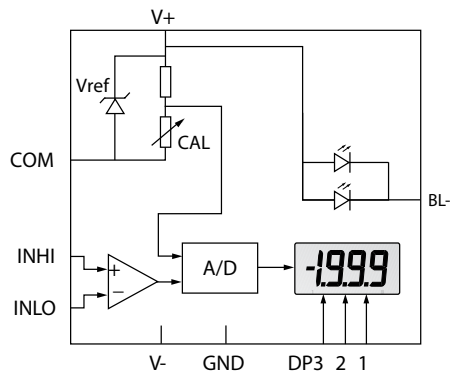
All dimensions in mm (inches)



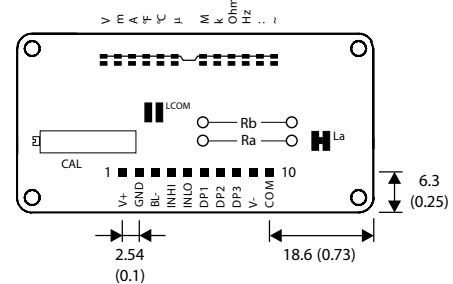
## PANEL FITTING



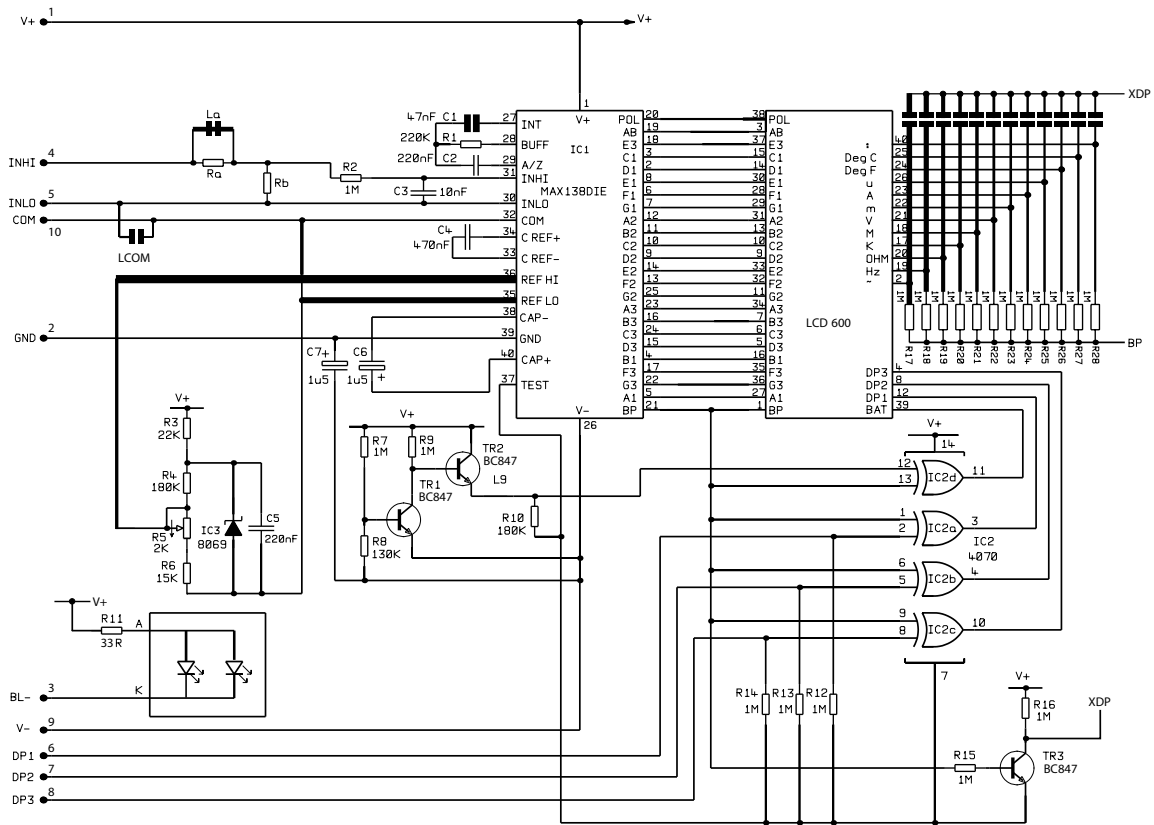
## FUNCTIONAL BLOCK DIAGRAM



## PIN CONFIGURATION (rear view)



## CIRCUIT DIAGRAM



## PIN FUNCTIONS

- |     |      |  |
|-----|------|--|
| 1.  | V+   | Positive power supply to the meter and LED backlighting.   |
| 2.  | GND  | 0V power supply to the meter.  |
| 3.  | BL-  | Negative power supply to the LED backlighting.   |
| 4.  | INHI | Positive measuring input.  |
| 5.  | INLO | Negative measuring input.  |
| 6.  | DP1  | Connect to V+ to display DP1 (199.9).  |
| 7.  | DP2  | Connect to V+ to display DP2 (19.99).  |
| 8.  | DP3  | Connect to V+ to display DP3 (1.999).  |
| 9.  | V-   | N.C. (inversion of V+).  |
| 10. | COM  | Ground for the analogue section of the A/D converter.<br>It is actively held at 3.05V (nom.) below V+ and must not be allowed to sink excessive current (>100 $\mu$ A) by, for instance, connecting to a higher voltage. |

### Note:

A negative supply (V-) is generated internally and mirrors the positive supply. For example: if V+ is +5V, then the internally generated V- is -5V. When measuring with the input referenced to the same supply rail as that of the panel meter, then the limitations on the input range are (V- + 1.5V) to (V+ - 1.5V).

## SOLDER LINKS

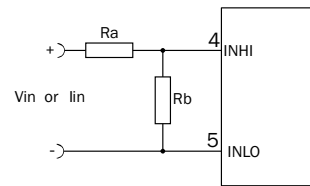
- |      |                  |  |
|------|------------------|--|
| LCOM | Normally Open.   | When soldered, connects COM to INLO.                                   |
| La   | Normally Closed. | Short circuits the scaling resistor Ra, if Ra is fitted on the module. |

## SCALING

Two resistors Ra and Rb may be used to alter the full scale reading (FSR) of the meter - see table. The meter will have to be re-calibrated by adjusting the calibration potentiometer on the rear of the module.

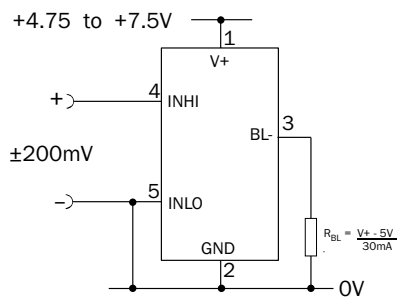
	FSR	Ra	Rb
Voltage Vin	2V	910k	100k
	20V	1M	10k
	200V	1M	1k
Current Iin	2000V*	1M	100R
	200µA	0R	1k
	2mA	0R	100R
	20mA	0R	10R
	200mA	0R	1R

\*Ensure that Ra is rated for high voltage use.

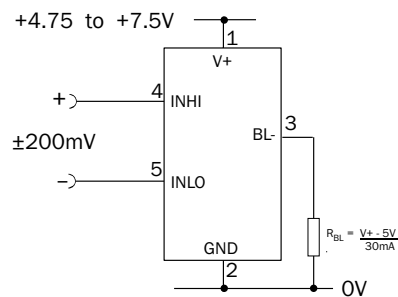


## APPLICATIONS

Do not connect more than one meter to the same power supply if the meters cannot use the same signal ground. Taking any input beyond the power supply rails will damage the meter.

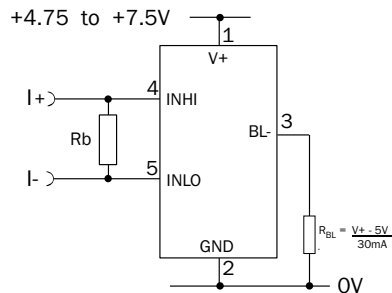


Measuring a single ended input voltage referenced to supply, i.e. the input voltage and the meter's power supply share the same 0V rail. Ensure solder link LCOM is open.

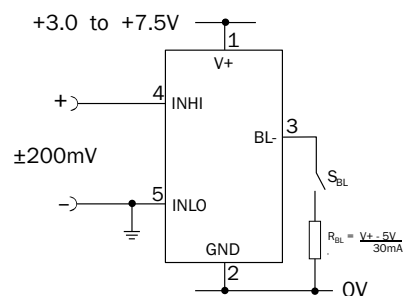


Measuring an input voltage referenced to a floating supply, i.e. the input voltage and the meter's power supply are isolated from each other. Ensure solder link LCOM is closed.

### Disable the display to produce supply current



Measuring a current from a circuit which is floating with respect to the DPM's supply, i.e. the current and the meter's power supply are isolated from each other. Ensure solder link LCOM is closed.



Measuring a single ended input voltage referenced to a split supply, i.e. the input voltage and the meter's power supply share the same 0V rail. Ensure solder link LCOM is open.



99 Washington Street  
Melrose, MA 02176  
Phone 781-665-1400  
Toll Free 1-800-517-8431

Visit us at [www.TestEquipmentDepot.com](http://www.TestEquipmentDepot.com)

