



Elektro-Automatik



DATASHEET

EA-EINBAURAHMEN 2U 19"

Mount frame for 19" racks

EA-EINBAURAHMEN 2U 19"

Mount frame for 19" racks



Features

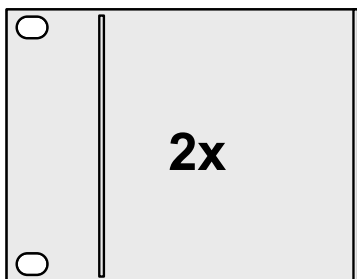
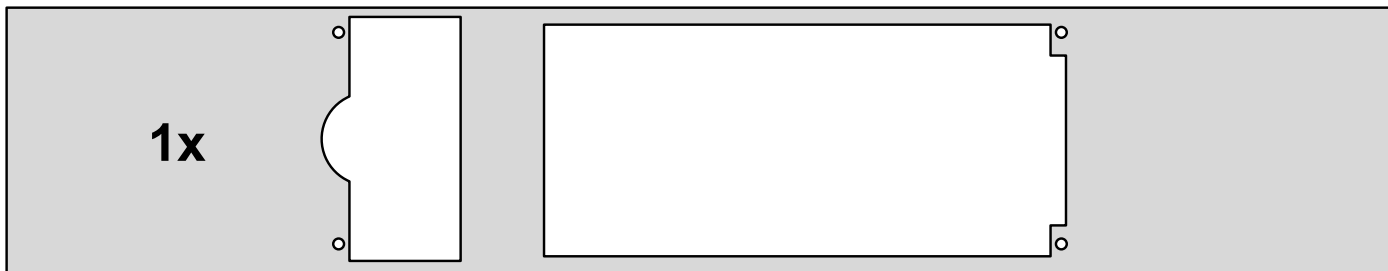
- Mount frame in 2 U
- For the 9000 series EA-PSI 9000 DT and EA-EL 9000 DT
- For the 3000 series EA-PS 3000 C and EA-EL 3000 B
- Simplifies the integration into a 19" rack

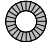
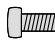
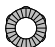
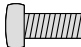
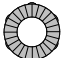
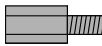
Compatible models

■ EA-PSI 9040-20 DT 320W	06200500	■ EA-EL 9080-45 DT 600W	33210501
■ EA-PSI 9080-10 DT 320W	06200501	■ EA-EL 9200-18 DT 500W	33210502
■ EA-PSI 9200-04 DT 320W	06200502	■ EA-EL 9360-10 DT 450W	33210503
■ EA-PSI 9040-40 DT 640W	06200503	■ EA-EL 9500-08 DT 400W	33210504
■ EA-PSI 9080-20 DT 640W	06200504	■ EA-EL 9750-05 DT 400W	33210505
■ EA-PSI 9200-10 DT 640W	06200505	■ EA-EL 9080-60 DT 1200W	33210506
■ EA-PSI 9040-40 DT 1000W	06200517	■ EA-EL 9200-36 DT 1000W	33210507
■ EA-PSI 9080-40 DT 1000W	06200506	■ EA-EL 9360-20 DT 900W	33210508
■ EA-PSI 9200-15 DT 1000W	06200507	■ EA-EL 9500-16 DT 600W	33210509
■ EA-PSI 9360-10 DT 1000W	06200508	■ EA-EL 9750-10 DT 600W	33210510
■ EA-PSI 9500-06 DT 1000W	06200509		
■ EA-PSI 9750-04 DT 1000W	06200510	■ EA-PS 3040-10 C 160W	35320208
■ EA-PSI 9040-60 DT 1500W	06200516	■ EA-PS 3080-05 C 160W	35320209
■ EA-PSI 9080-60 DT 1500W	06200511	■ EA-PS 3200-02 C 160W	35320210
■ EA-PSI 9200-25 DT 1500W	06200512	■ EA-PS 3040-20 C 320W	35320211
■ EA-PSI 9360-15 DT 1500W	06200513	■ EA-PS 3080-10 C 320W	35320212
■ EA-PSI 9500-10 DT 1500W	06200514	■ EA-PS 3200-04 C 320W	35320213
■ EA-PSI 9750-06 DT 1500W	06200515	■ EA-PS 3040-40 C 640W	35320214
		■ EA-PS 3080-20 C 640W	35320215
■ EA-EL 3080-60 B 400W	35320205	■ EA-PS 3200-10 C 640W	35320216
■ EA-EL 3200-25 B 400W	35320206		
■ EA-EL 3500-10 B 400W	35320207		

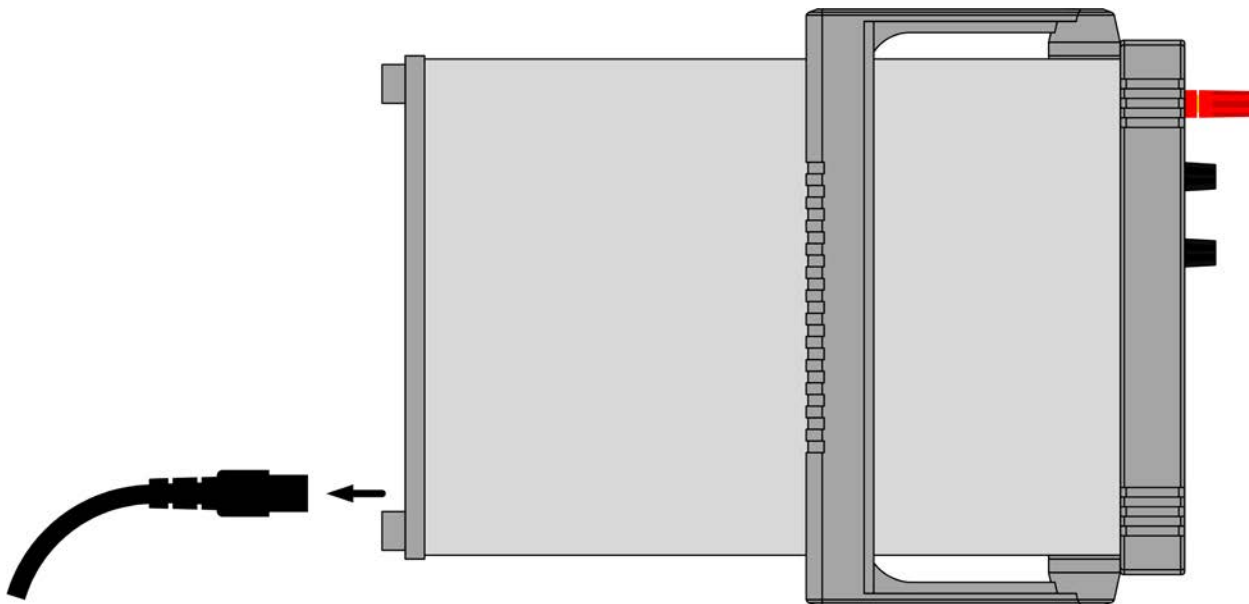
1

Assembly

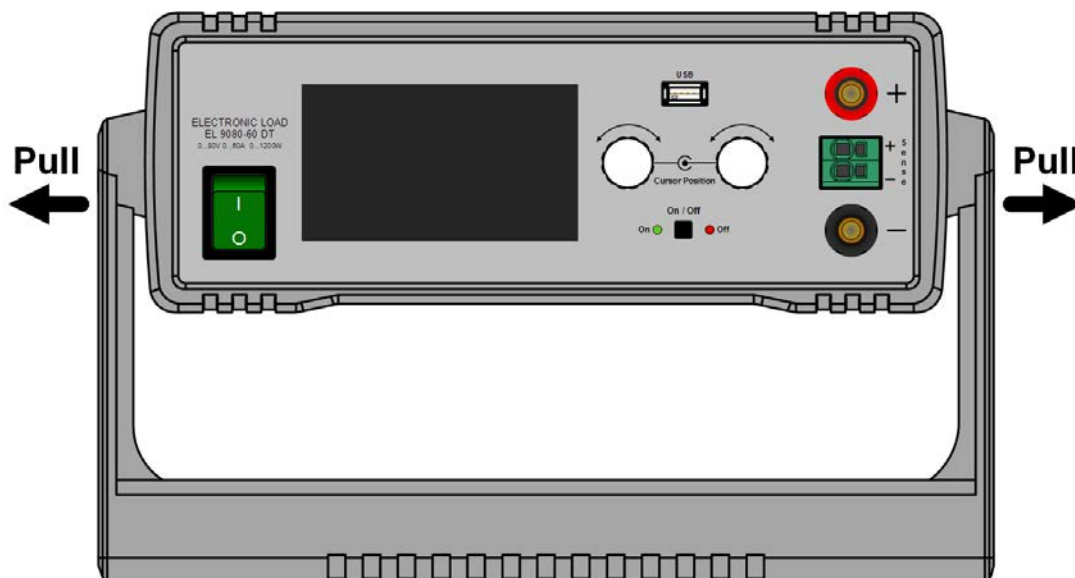


- | | |
|--|--|
|  M3 4x |  M3 4x |
|  M3 4x |  M4 4x |
|  M4 4x |  M3 4x |

2



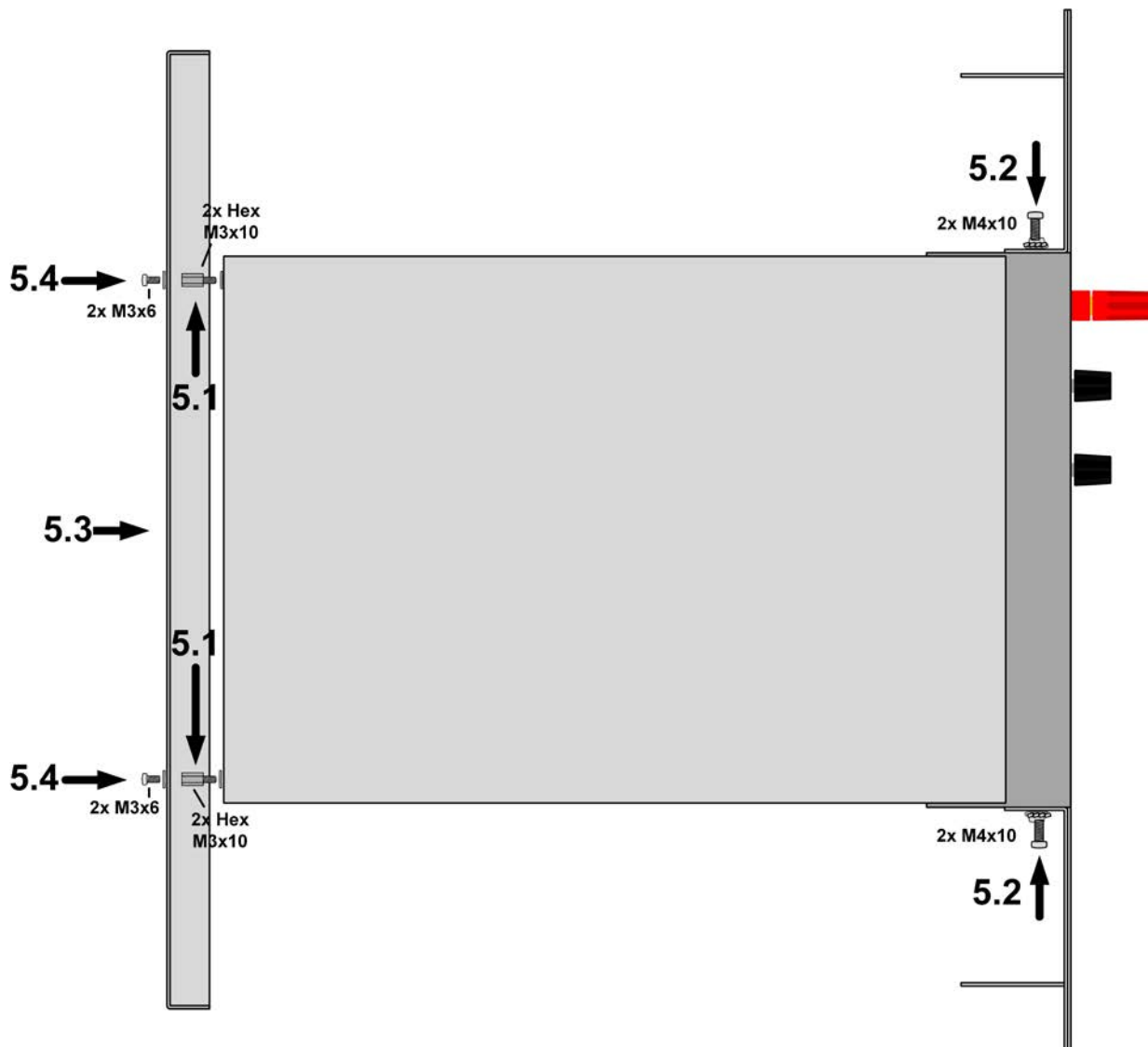
3

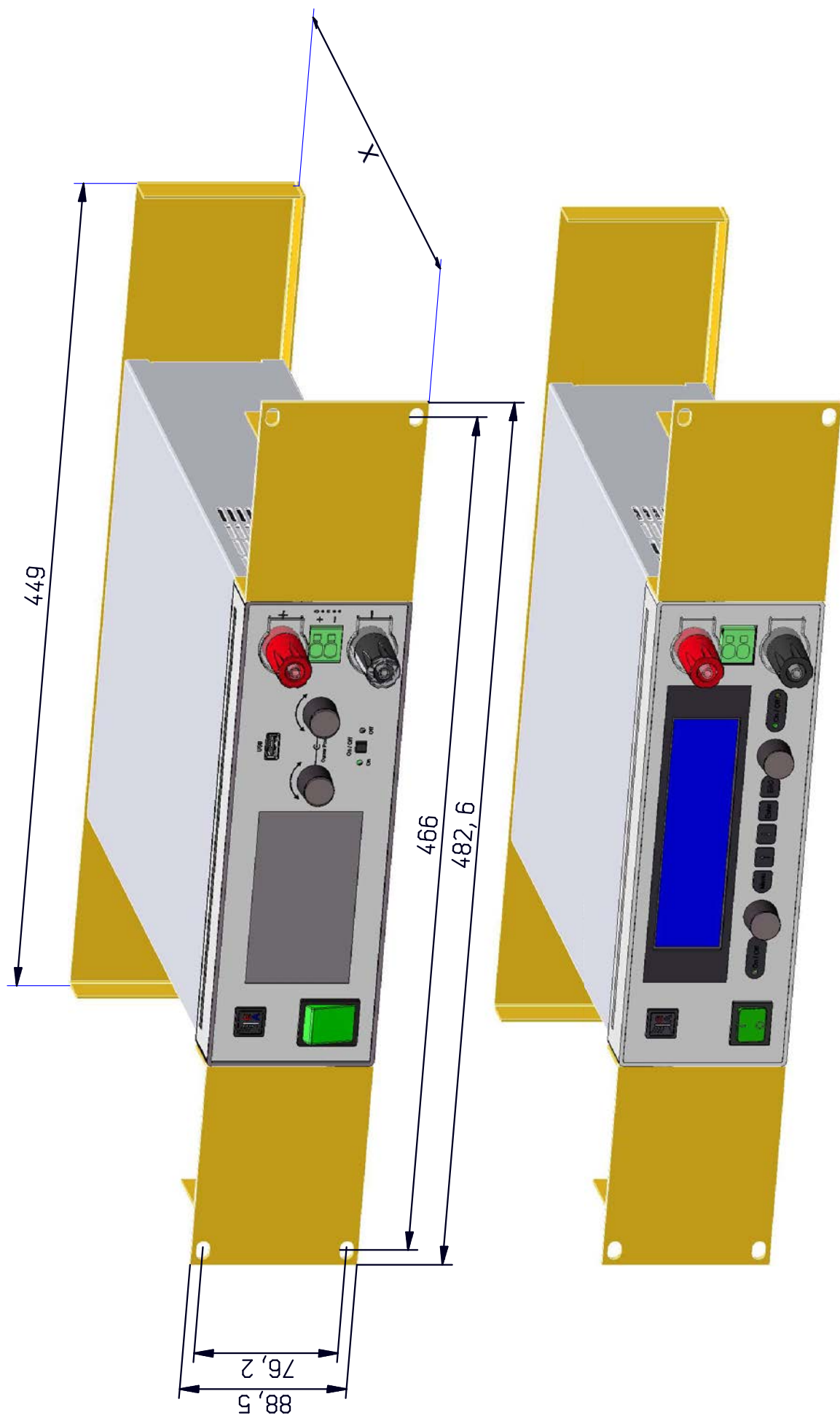


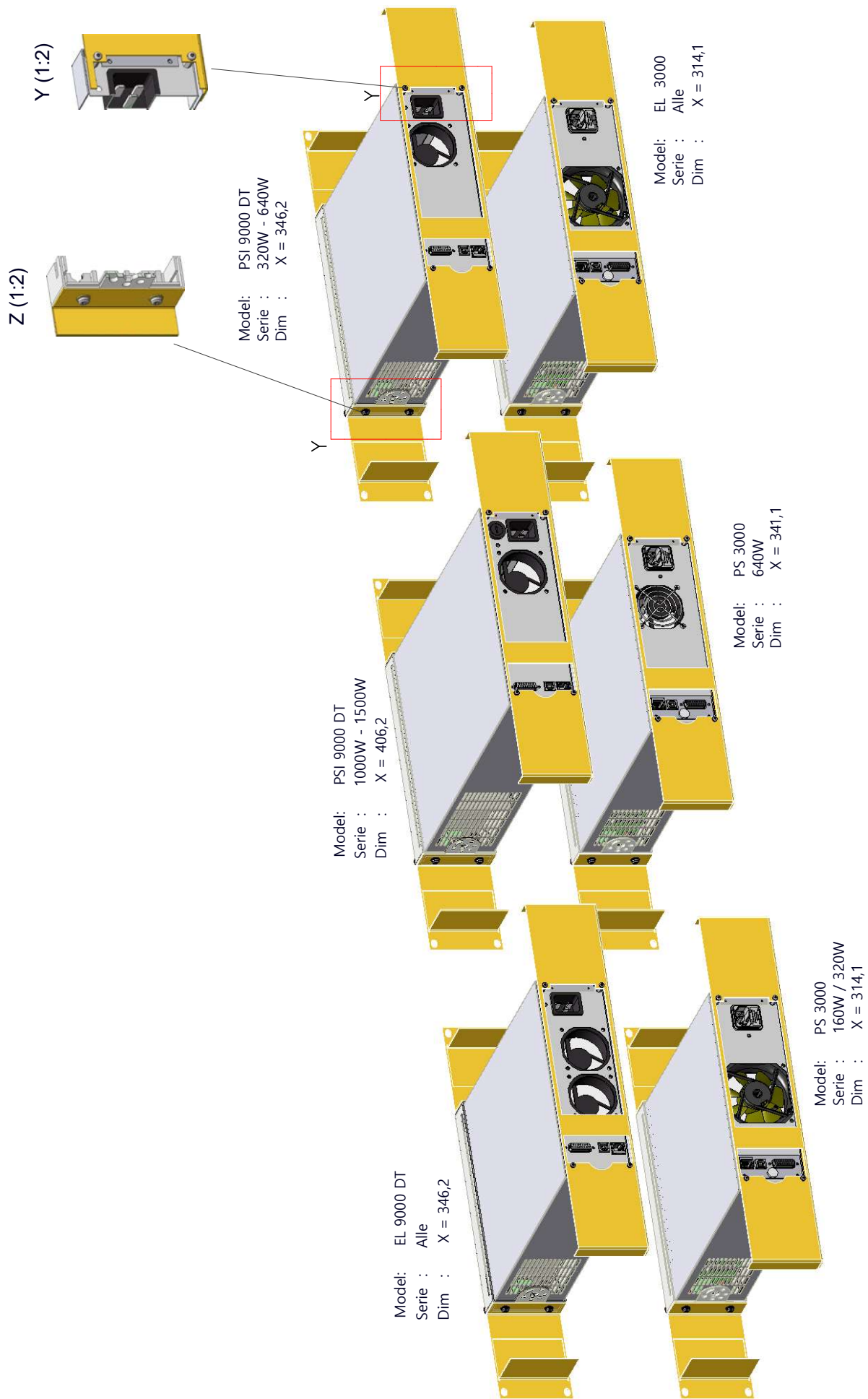
4



5









Test Equipment Depot - 800.517.8431 - TestEquipmentDepot.com