

EMV 1200-40

Test Equipment Depot
1-800-517-8431

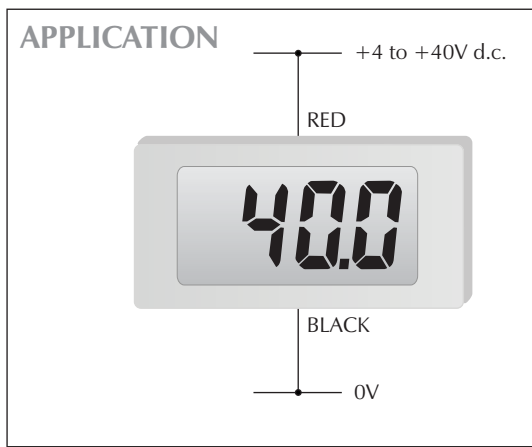
99 Washington Street
Melrose, MA 02176
Phone 781-665-1400
Toll Free 1-800-517-8431

Single Hole Mounting 2-Wire Meter

Visit us at www.TestEquipmentDepot.com

EMV 1200-40 is an easy to mount LCD digital panel meter. The module features a 4 to 40V measurement range with 200mV resolution and is powered from the signal it is measuring. Only valid readings are displayed; the module indicates "LO" at voltages below 4V and "HI" at voltages above 40V. To install the meter, the user need only drill a single 5.5mm / 7/32" hole in the panel. The module is fitted to the panel by locating its threaded stud through the hole, fitting the washer and tightening the nut provided. The module's connecting wires pass through the hollow stud into the target application for connection. A rubber seal is included, providing splash proof protection for the unit when fitted to the meter during installation.

- 🔊 Single Hole Mounting
- 🔊 2-Wire Operation
- 🔊 4 to 40V d.c. Full Scale Reading
- 🔊 12.5mm / 0.5" LCD Digit Height
- 🔊 Reverse Polarity Protection
- 🔊 Splashproof



Easy Mounting Voltmeter				Stock Number EMV 1200-40
Specification	Min.	Typ.	Max.	Unit
Accuracy (overall error)		0.4		V (±1 count)
Linearity			±1	count
Valid displayed reading*	4.0		40.0	V d.c.
Resolution		200		mV d.c.
Sample rate		3		sample/sec
Operating temperature range	0		50	°C
Supply voltage	3		50	V d.c.
Supply current			3	mA

* At voltages below 4.0V d.c., the LCD will display **LO** and will ultimately go blank.
At Voltages in excess of 40.0V d.c., the LCD will display **HI**.
Do NOT exceed 50V d.c., as this may damage the meter.
The module includes reverse polarity protection up to 30V for up to 30 seconds.
Operation and accuracy at voltages above 40.0V or below 4.0V are not specified.

SAFETY

To comply with the Low Voltage Directive (LVD 93/68/EEC), input voltages to the module's wires must not exceed 60Vd.c. The user must ensure that the incorporation of the meter into the user's equipment conforms to the relevant sections of BS EN 61010 (Safety Requirements for Electrical Equipment for Measuring, Control and Laboratory Use).

DIMENSIONS All dimensions in mm (inches)

Reading when $V_{in} < 4V$, before display switches off.

Reading when $V_{in} > 40V$.

FITTING THE EMV 1200-40

Drill a 5.5mm / 7/32" hole in the panel. Fit seal to the rear of the module. Fit the module to the panel by passing its screw threaded stud and the wires through the hole, fitting the washer and tightening the nut provided. Take care not to trap either of the connecting wires. Do not to over tighten the nut as this may damage the meter.

Specifications liable to change without prior warning EMV 1200-40 Issue 11 06/2010 IRCN 716 S.L. Applies to EMV 1200/2

AUTOMOTIVE AND MARINE PROTECTION

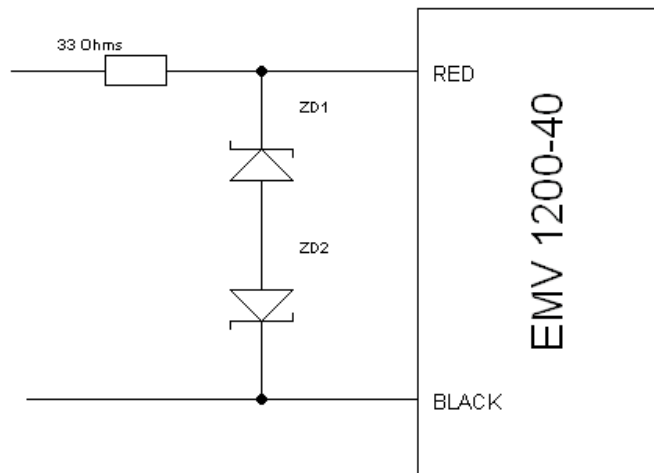


Fig. 1

Automotive and maritime applications can create harsh conditions for electronic devices. Fig. 1 shows the type of protection we recommend is added when the EMV 1200-40 is used in an application of this nature. We suggest a high wattage 33 ohm resistor is used in series with two 5W zener diodes where the value of each zener is at least 3V higher than the maximum you intend to measure. Alternatively it is possible to use a single 1500W transient voltage suppressor (TVS) in place of the zener diodes. In addition it is recommended that the meter is connected as close to the battery as is convenient.