



**Test Equipment
Depot**
1-800-517-8431

99 Washington Street
Melrose, MA 02176
Phone 781-665-1400
Toll Free 1-800-517-8431

Visit us at www.TestEquipmentDepot.com

FRONTIER™ 5513
High-Speed Micro Centrifuge



Compact Micro Centrifuge with Modern Touch-Wheel Interface Ideal for High-Speed Lab Applications

The FC5513 is a high-speed benchtop microliter centrifuge capable of generating $17,317 \times g$ with four optional rotors, designed for a range of essential lab applications. Engineered with convenient operation in mind, the FC5513 features a uniquely designed splash-proof front panel with touch-wheel control on an intuitive interface. The compact design saves valuable bench space in the lab.

Standard Features:

- **Select from a Variety of Rotors Designed for a Range of Lab Applications**—The FC5513 offers standard $24 \times 1.5/2$ mL microtube rotors with a biocontainment option. This centrifuge can also support spin columns and hematocrit capillary tubes when used with additional rotor options.
- **Modern Touch-Wheel Control on a Sleek Splash-Proof Interface**—Designed for ease of operation, the FC5513 features convenient control on a protective splash-proof interface, which allows for responsive operation—even when wearing gloves.
- **The Compact Design Saves Valuable Benchtop Space**—Enclosing all its functionalities within a small footprint, the FC5513 saves valuable space on the lab bench.

FRONTIER™ 5513 High-Speed Micro Centrifuge

Sleekly designed interface enables smooth operation for a great user experience

- Easy-to-Use touch-wheel interface for parameter adjustments
- Convenient interface shows both set and actual parameters
- One-touch toggling between RPM/RCF, Acc/Dec
- Crisp display on a double-line LCD display with backlight



Solid engineering to ensure functionality and reliability

- True splash-proof panel protects the centrifuge from accidental sample spilling
- Maintenance-free induction motor produces maximum G-force of $17317 \times g$
- Speeds up to 13500 rpm in less than 15 seconds with microtubes
- 10 acceleration/deceleration settings
- 99 memory sets to quickly store and recall commonly used parameters
- Rotor imbalance sensing systems stops the unit when the loadings are imbalanced





Flexible rotor selections to cover essential laboratory applications


- Standard offer comes with 24 × 1.5/2.0 mL microtube rotors
- Compatible with 4 optional rotors, maximum capacity of 24 × 1.5/2.0 mL
- Support spin-column and hematocrit capillary through additional rotor options
- Biocontainment rotor available for safe handling of hazardous samples




FRONTIER™ 5513 Rotors and Accessories

	Order No.	30472301		
	Description	Rotor, Angle, 24 × 1.5/2.0 mL, V2		
	Max. Speed	13500 rpm		
	Max. RCF	17317 × g		
Accessories				
Order No.	Description	Vol./Tube	Diameter	Tube type
Without Adapter	Rotor, Angle, 24 × 1.5/2.0 mL, V2	1.5/2.0 mL	11 mm	Microtube
30130885	Adapter, 1 × 0.5 mL D8 mm, 6/pk	0.5 mL	8 mm	Microtube
30130884	Adapter, 1 × 0.2/0.4 mL D6 mm, 6/pk	0.2/0.4 mL	6 mm	Microtube

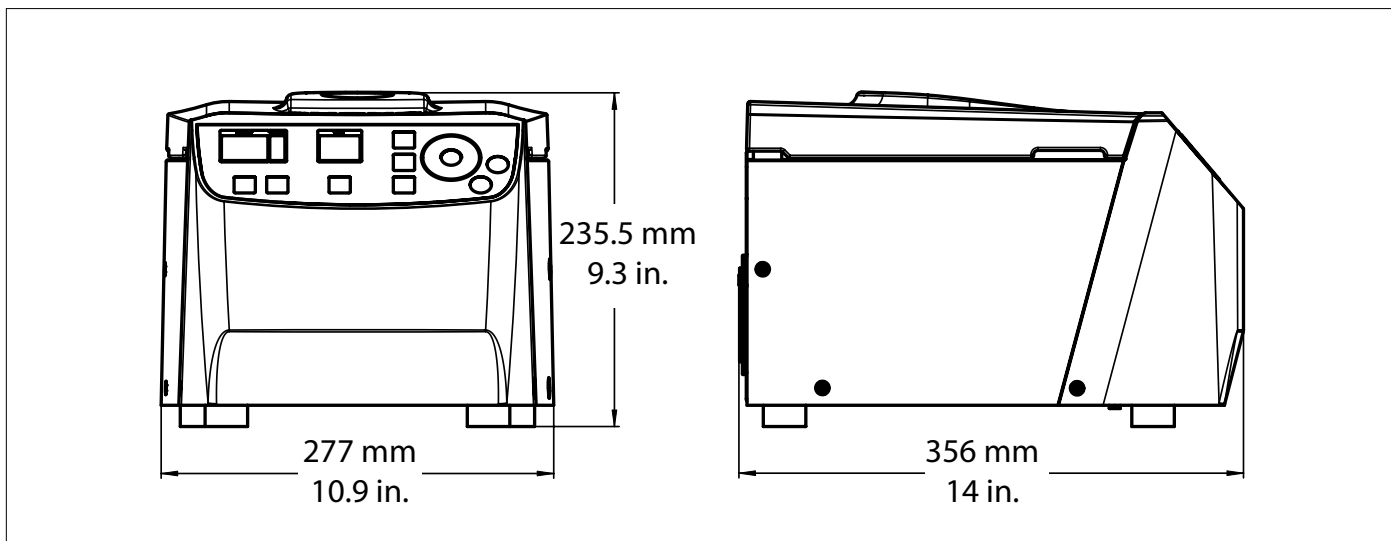
	Order No.	30472302		
	Description	Rotor, Angle, 24 × 1.5/2.0 mL, Sealable, V2		
	Max. Speed	13500 rpm		
	Max. RCF	17317 × g		
Accessories				
Order No.	Description	Vol./Tube	Diameter	Tube type
Without Adapter	Rotor, Angle, 24 × 1.5/2.0 mL, Sealable, V2	1.5/2.0 mL	11 mm	Microtube
30130885	Adapter, 1 × 0.5 mL D8 mm, 6/pk	0.5 mL	8 mm	Microtube
30130884	Adapter, 1 × 0.2/0.4 mL D6 mm, 6/pk	0.2/0.4 mL	6 mm	Microtube

	Order No.	30472303		
	Description	Rotor, Angle, 18 × 2 mL SC*		
	Max. Speed	13500 rpm		
	Max. RCF	15484 × g		

*SC-Spin Column

	Order No.	30472304		
	Description	Rotor, Hematocrit, 24 × Capillaries, V2		
	Max. Speed	13000 rpm		
	Max. RCF	16058 × g		

Dimensions



FRONTIER™ 5513 High-Speed Micro Centrifuge

Model	FC5513
Speed Range	200 rpm – 13500 rpm; 10 rpm/set
Maximum RCF	17317 × g; 10 × g/set
Maximum Capacity (Rotor)	24 × 1.5/2.0 mL
Temperature Range	Air cool
Running Time	Quick Spin, 10 sec to 99 hr 59 min 59 sec, or continuous
Noise Level	≤ 60 dB(A)
Acc/Dec Levels	10
Allowable Density at Maximum Speed	1.2 g/mL
Allowable Kinetic Energy	2129 Nm
AC Power	120 – 230 V ~ 50/60 Hz
Voltage Fluctuation	± 10%
Current Consumption	1.9 A
Power Consumption	170 W
Dimensions (W × D × H)	10.9 × 14.0 × 9.3 in. / 277 × 356 × 236 mm
Net Weight (with rotor)	27.8 lb / 12.6 kg
Shipping Dimensions (W × D × H)	14.6 × 18.5 × 13.4 in. / 370 × 470 × 340 mm
Shipping Weight (with rotor)	30.9 lb / 14.0 kg
Environment	For indoor use only

Other Standard Features and Equipment

Ten acceleration and ten deceleration rates, pre-selection of running time from 10s to 99h 59min or continuous, audible signal at the end of each run with melody options, quick spin for short runs

Compliance

- **Product Safety:** IEC/EN 61010-1; IEC/EN 61010-2-020
- **Electromagnetic Compatibility:** IEC/EN 61326-1 Class B, Basic environments; FCC Part 15 Class B
- **Compliance Mark:** CE

Ordering Information

Type	Order No.	Description
Centrifuge	30393188	Centrifuge, Micro, 120V, FC5513 (no rotor included)
	30370692	Centrifuge, Micro, 120V, FC5513 and Rotor, 24 × 1.5/2.0 mL Angle (30472301) included
	30393187	Centrifuge, Micro, 230V, FC5513 (no rotor included)
	30370691	Centrifuge, Micro, 230V, FC5513 and Rotor, 24 × 1.5/2.0 mL Angle (30472301) included
Rotor	30472301	Rotor, Angle, 24 × 1.5/2.0 mL, V2
	30472302	Rotor, Angle, 24 × 1.5/2.0 mL, Sealable, V2
	30472303	Rotor, Angle, 18 × 2 mL Spin Columns
	30472304	Rotor, Hematocrit, 24 × Capillaries, V2
Accessories	30130885	Adapter, 1 × 0.5 mL D8 mm, 6/pk
	30130884	Adapter, 1 × 0.2/0.4 mL D6 mm, 6/pk



1-800-517-8431

99 Washington Street
Melrose, MA 02176
Phone 781-665-1400
Toll Free 1-800-517-8431

Visit us at www.TestEquipmentDepot.com

80775535 20181114 © Copyright OHAUS Corporation

The management system governing the manufacture of this product is ISO 9001:2015 certified.

