

FGE-HXY High Capacity Digital Force Gauges

High Capacity Digital Force Gauges with 180° reversible display & dual labeled keypad for both push, pull applications

The Series FGE-HXY Digital Force Gauges offer an enhanced heavy-duty housing allowing them to be utilized in high capacity tension and compression applications. Simple one button adjustment alters units, while pressing the peak button quickly produces the highest recorded value during the test. The 180° reversible display combined with the adjustable force direction and dual labeled keypad enable the FGE-HXY to excel in both compression and tension applications in any direction. These instruments are utilized in a variety of applications such as, incoming quality inspection, finished goods testing, R&D, ergonomic and isokinetic testing or almost any portable or force stand testing requirement.

Models are available in 500 lb ranges providing necessary performance for high capacity testing.



FGE-HXY

Features

- 1000 Hz Sample Rate provides faster sampling producing better resolution and more accurate results
- Ideal for strict tolerances with its high accuracy $\pm 0.2\%$ F.S.
- Measure and record compression and tension tests. Permits true "push-pull" testing
- 180° Reversible display and dual printed keypad allows usage as a portable gauge or mounted upside down on a test stand
- 1 million operation load cell with superior overload protection provides a long-life, damage free product
- High-capacity rugged, ergonomic die cast aluminum construction allows usage on production floor
- Variable display response rate aids viewing of readings
- Real Time or Peak hold mode easily selectable with a single button push
- Flexible user preference with one button selection of engineering units
- Field calibration through keypad eliminates down time
- Dual power capable with rechargeable battery or AC line voltage
- CE Mark & RoHS Approval



FGE-HXY Specifications

Capacity	500 lb, 250 kg, 2500 N
Resolution	0.1 lb/0.1 kg/1 N
Accuracy	±0.2% F.S. @ 73°F (23°C)
Display	4-digit LCD, 0.5" high (12 mm) Units 0.29" (7 mm). Reversible. Minus sign for tension.
Display Update	0.05, 0.1, 0.2, 0.3, 0.5, 1 sec
Sampling Rate	1000 Hz
Overload Capacity	150% of F.S.
Power	Rechargeable Ni-MH battery or universal AC adapter/charger (100-240 VAC, 50/60 Hz)
Auto Power Shut-Off	Yes (not active if adapter/charge is in use)
Battery Charge	12 hours (when fully charged)
Recharge Time	Approximately 18 hours when fully discharged
Temperature Limit	32 - 104°F (0 - 40°C)
Dimensions	8.43" x 3.23" x 2.25" (214 x 82 x 57 mm)
Product Weight	Approx. 2 lb (900 g)
Package Weight	Approx. 7.45 lb (3.38 kg)
Certification	CE, RoHS
Warranty	2 year
Included Accessories	AC adapter/charger, carrying case, 2 handles, hanger, metric thread to inch adapter and attachments (flat head, hook, chisel, notched head, cone head, extension rod)

Ordering Details

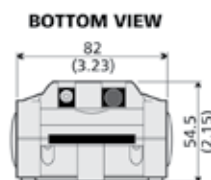
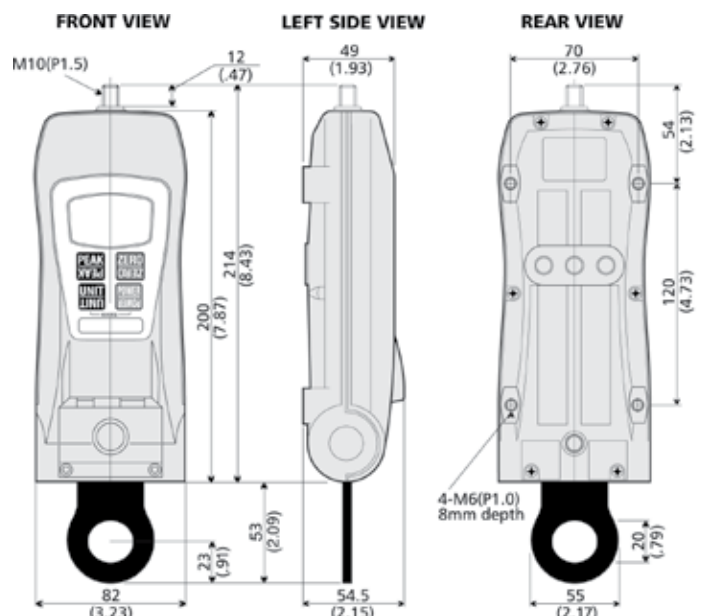
FGE-500HXY	500 lb high capacity digital force gauge
NIST-FG-HX	NIST traceable calibration certificate for ranges 200 to 1000 lbs.
FGE-PT500	500 lb capacity FGE-HXY in ergonomic testing kit. Kit includes all the standard FGE-HXY accessories but adds padded ERGO accessories and NIST traceable certificate.

Accessories

FG-M10ADP	Standard adapter set with M10 threads for ranges Includes: chisel, cone, flat head, notched head, hook, extension rod
FG-M10CL	Chisel adapter with M10 thread for ranges
FG-M10CN	Cone head adapter with M10 thread for ranges
FG-M10FL	Flat head adapter with M10 thread for ranges
FG-M10GV	Notched head adapter with M10 thread for ranges
FG-M10HK	Hook adapter with M10 thread for ranges
FG-M10RD	Extension rod adapter with M10 thread for ranges
FG-09V120UC	Universal charger adapter for 120/240V AC

Note: Additional accessory adapters available. Please contact the factory.

FGE-HXY Dimensions



mm (inches)

DISTRIBUTED BY:



99 Washington Street
Melrose, MA 02176
Phone 781-665-1400
Toll Free 1-800-517-8431

Visit us at www.TestEquipmentDepot.com