

Rack Adapter Panel

GRA-428

GW INSTEK

Assembly Manual

GW INSTEK PART NO. 82RA-42800M01

This assembly manual contains proprietary information, which is protected by copyrights. All rights are reserved. No part of this manual may be photocopied, reproduced or translated to another language without prior written consent of Good Will company.

The information in this manual was correct at the time of printing. However, Good Will continues to improve products and reserves the rights to change specification, equipment, and maintenance procedures at any time without notice.



ISO-9001 CERTIFIED MANUFACTURER

GW INSTEK

GRA-428

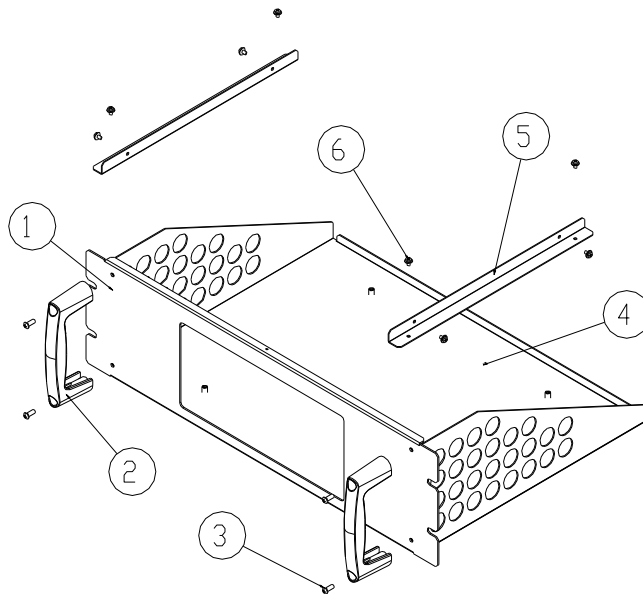
Overview

The GRA-428 3U 19" rack mount is suited for the PSP-405, PSP-603 and PSP-2010 Programmable Switching DC Power Supply. The GRA-428 is designed for use with standard sized rack units.

Rack Mount Adapter Component List and Assembly

Description Please check to make sure all the components of the GRA-428 rack mount kit are provided.

Please note that the rack mount kit comes partially assembled.

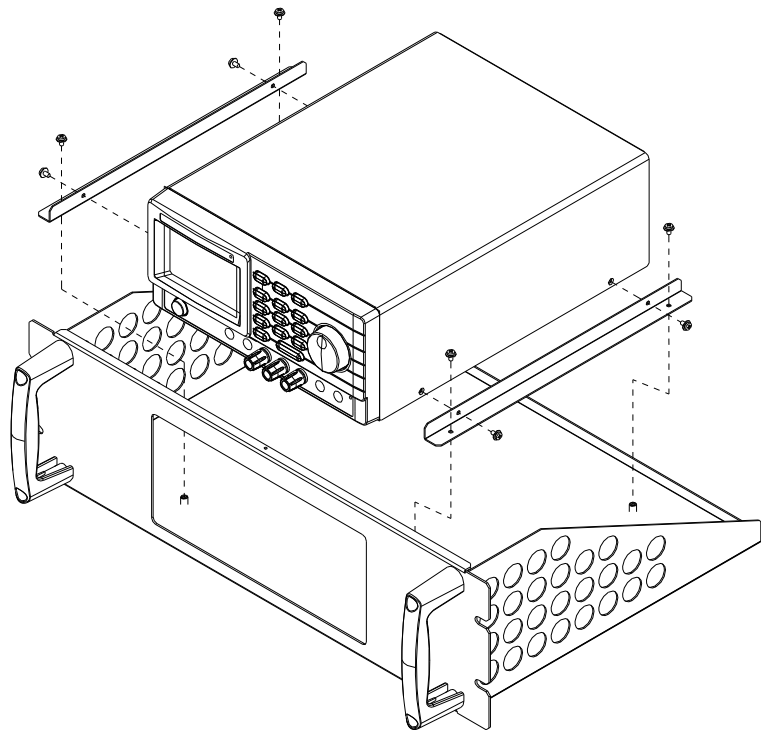


GRA-428 Assembly	Item	Part NO.	Description	QTY
	1	62RA-428FP101	FRONT PLATE	1
	2	62PA-340HD101	HANDLE	2
	3	592B-04010NS1	PMS-4*10	4
	4	62RA-428LO101	BOTTOM CHASSIS	1
	5	62RA-428HP101	BRACKET	2
	6	594B-W3006NS1	BMS-W-3*6	8

Assembly

Description Assembly of the GRA-428 simply involves securing the PSP-405, PSP-603 or PSP-2010 units into the bottom chassis.

- Steps**
1. Remove both side screws of the PSP-405, PSP-603 or PSP-2010 units.
 2. Attach the two Brackets(5) to the PSP-405, PSP-603 or PSP-2010 units, using the BMS-W-3*6(6) screws.



3. Place the PSP-405, PSP-603 or PSP-2010 units in the Bottom Chassis(4) and attach both Brackets(5) to the Bottom Chassis(4) using the BMS-W-3*6(6) screws.
-

Appearance

GRA-428

