



# **GSD600**

## **Gas Leak Detector**

**Users Manual**



# GSD600

## Gas Leak Detector

Users Manual

GSD600\_Rev001  
© 2008 Amprobe Test Tools.  
All rights reserved.

English

## Limited Warranty and Limitation of Liability

Your Amprobe product will be free from defects in material and workmanship for 1 year from the date of purchase. This warranty does not cover fuses, disposable batteries or damage from accident, neglect, misuse, alteration, contamination, or abnormal conditions of operation or handling.

Resellers are not authorized to extend any other warranty on Amprobe's behalf. To obtain service during the warranty period, return the product with proof of purchase to an authorized Amprobe Test Tools Service Center or to an Amprobe dealer or distributor. See Repair Section for details.

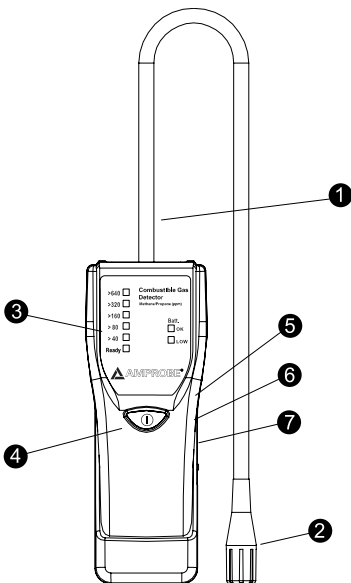
**THIS WARRANTY IS YOUR ONLY REMEDY. ALL OTHER WARRANTIES - WHETHER EXPRESS, IMPLIED OR STATUTORY - INCLUDING IMPLIED WARRANTIES OF FITNESS FOR A PARTICULAR PURPOSE OR MERCHANTABILITY, ARE HEREBY DISCLAIMED. MANUFACTURER SHALL NOT BE LIABLE FOR ANY SPECIAL, INDIRECT, INCIDENTAL OR CONSEQUENTIAL DAMAGES OR LOSSES, ARISING FROM ANY CAUSE OR THEORY.** Since some states or countries do not allow the exclusion or limitation of an implied warranty or of incidental or consequential damages, this limitation of liability may not apply to you.

### Repair

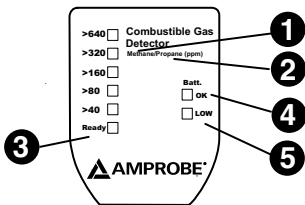
All test tools returned for warranty or non-warranty repair or for calibration should be accompanied by the following: your name, company's name, address, telephone number, and proof of purchase. Additionally, please include a brief description of the problem or the service requested and include the test leads with the meter. Non-warranty repair or replacement charges should be remitted in the form of a check, a money order, credit card with expiration date, or a purchase order made payable to Amprobe® Test Tools.

### In-Warranty Repairs and Replacement – All Countries

Please read the warranty statement and check your battery before requesting repair. During the warranty period any defective test tool can be returned to your Amprobe® Test Tools distributor for an exchange for the same or like product.



- 1 Flexible probe
- 2 Sensor cap
- 3 Indicator LED
- 4 ON/OFF button
- 5 Adaptor jack (power adaptor not supplied with GSD600)
- 6 Earphone jack (earphone not supplied with GSD600)
- 7 Mute slide switch.



Indicator

Make sure to take in consideration any left over methane number when taking a new reading.

- 1 Methane 5 level LED
- 2 Propane 5 level LED
- 3 Sensor ready LED
- 4 Power on & Bat. OK LED
- 5 Bat. Low LED

**CONTENTS**

Features .....	5
Standard Accessories.....	5
Operation .....	5
Power ON/OFF pushbutton .....	5
Warm-up Status .....	5
Mute Function.....	5
Leakage Checking.....	6
Battery Replacement.....	6
Troubleshooting .....	6
Maintenance.....	6
Situations to be avoided .....	6
Situations to be avoided whenever possible .....	6
Specifications.....	7

## **GWD600 FEATURES**

- Detects methane and propane gas
- Quick to pinpoint gas leaks
- Automatic calibration when power is on
- Auto power off to save battery life
- 60 seconds warm up time
- Response time less than 10 seconds
- 5-level LED leak alarm
- 440 mm long flexible probe
- Built in earphone jack
- Mute function

## **STANDARD ACCESSORIES**

- 1x Instrument GSD600
- 4x AA Batteries
- 1x Users Manual

## **OPERATION**

### **Power ON/OFF pushbutton**

- Press ON/OFF key for more than two seconds to turn on the meter. While the meter is on, the BAT. OK LED will stay on.
- To ensure the accuracy, users must perform the warm-up period in clean air.
- The meter automatically turns itself off if no pushbutton is pressed for ten minutes.
- Press ON/OFF key again to turn the meter off.

### **Warm-up Status**

- When the meter is ON and READY LED is off, the sensor enters into a warm-up process. The warm-up time is less than 60 seconds.
- When Ready LED is ON, the meter is ready to be used.
- During that period of warm-up, a special compensation circuit automatically limits the effect of the environmental changes.

**Any time you turn the unit off and turn it back on, it will go through the warm-up process again. Wait for 60 seconds.**

### **Mute Function**

The frequency of the beep will increase when the detected gas concentration becomes higher.

While using the meter with the earphone, the meter will automatically be muted, allowing the user to hear the beeper through the earphone. The earphone is not supplied with the GSD600. A standard earphone will work with this unit.

If the earphone is not in use, the user can mute the beeper by switching the mute button to the ON position. The user then has the LED's as the indicator and no sound.

### **Leakage Checking**

To check for pipe leakage, proceed as follows:

Approach the pipe slowly with the sensor pointing to the pipe. Repeat the procedure from the other side of the pipe. When the sensor is near to a leak, the LED will light and the frequency of the beep will increase.

It takes at least 2-min for the sensor to recover after leak detection.

### **BATTERY REPLACEMENT**

When the low battery LED turns ON, it is recommended to replace the batteries with new ones to ensure the accuracy of the meter.

Open the battery compartment and replace the batteries with 4 new AA batteries.

### **TROUBLESHOOTING**

#### **Meter does not turn on**

1. Make sure you press the ON/OFF key for about two seconds.
2. Make sure the batteries are OK
3. Replace the batteries and try again

#### **Ready LED does not turn on after 60 seconds warm up**

1. Check the sensor contact. If LED is still off, please return the meter for replacement or repair.

### **MAINTENANCE**

#### **Situations to be avoided**

1. If silicone vapor is absorbed onto sensor's surface, the sensor will become coated. So, avoid exposure of the meter to silicone adhesive, hair grooming materials, and silicone rubber. This situation reduces the meter's effectiveness.
2. High-density exposure to corrosive materials such as H<sub>2</sub>S, Sox, Cl<sub>2</sub>, and HCL etc may cause corrosion or breakage of the lead wires or heater material.
3. Second drift may occur when the sensor is contaminated by alkaline metals or especially salt water spray
4. Sensor drift may occur if soaked or splashed with water.
5. Freezing water on the sensor surface may damage it or alter its characteristics.
6. Do not operate the meter under low oxygen atmosphere. The required operating oxygen is around 21% under ambient oxygen environment.

#### **Situations to be avoided whenever possible**

1. Light condensation under indoor usage should not be a problem for the sensor. However, if water condenses on the sensor's surface for a time period, the sensor characteristics may drift.

- Sensor performance may be also affected if exposed to a high density gas for a long time even when the meter is off.
- When the meter is off for a long period of time, the sensor may show a drift in resistance according to the storage environment. The meter should be stored in sealed bag with clean air.

**Note:**

When the unit is not powered on for a long time, the warm-up time becomes longer for stabilization.

- Regardless of the powering state of the meter, if the meter is exposed to extreme condition such as high humidity, extreme temperature, or high contamination levels for a long time, the performance of the meter could be affected.

## SPECIFICATIONS

**Sensor:** Semiconductor

**Response Time:** < 10 seconds

**Warm up time:** < 60 seconds

**Operation Temp. Range:** -5°C ~ 45°C / 23°F ~ 113°F

**Auto Power Off:** 10 minutes after last key pressure.

**Power supply :** (4) AA batteries; 9V power adaptor (plug specifications: Outer diameter:3.5mm; Inner diameter: 1.35mm; Center positive, 500mA maximum).

**Battery life:** 14 hours (Continuous working)

**Minimum BAT. voltage:** 4.8V

**Probe length:** 447 mm (17.6 inches)

**Size:** 175 x 70 x 38 mm (HxWxT)

**Indicator:** Intermittent beep (Acoustic) / LED (Visual)

Range	GSD600 Gas Leak Detector
Methane Propane	40 to 640 ppm 35 to 580 ppm
Sensitivity	35ppm (Propane)
Advantage	Fast response & High Methane sensitivity