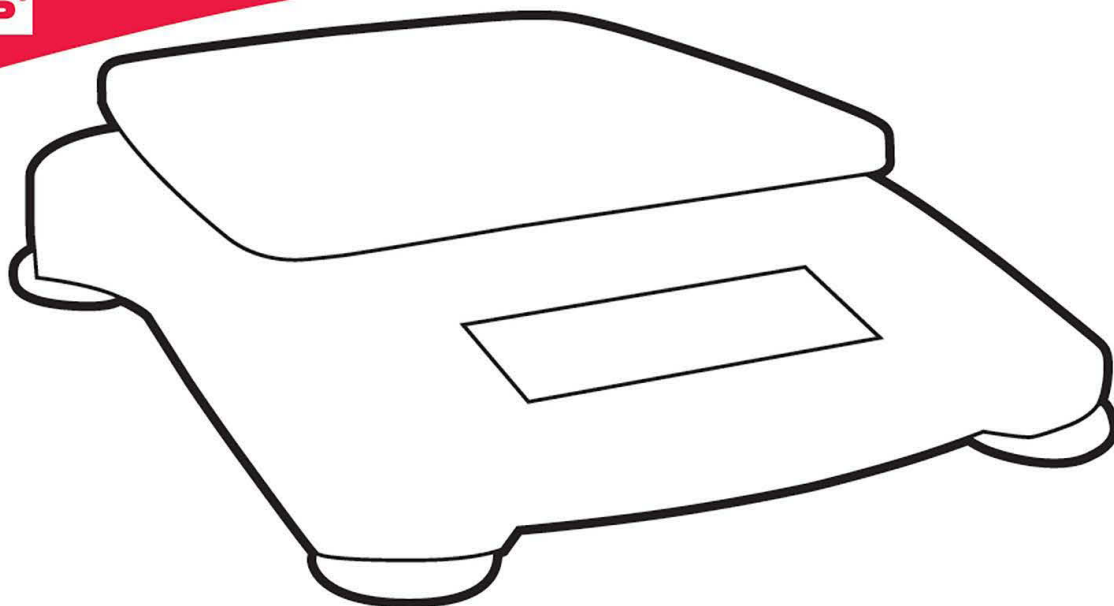




GUARDIAN™ 7000

Hotplate Stirrers



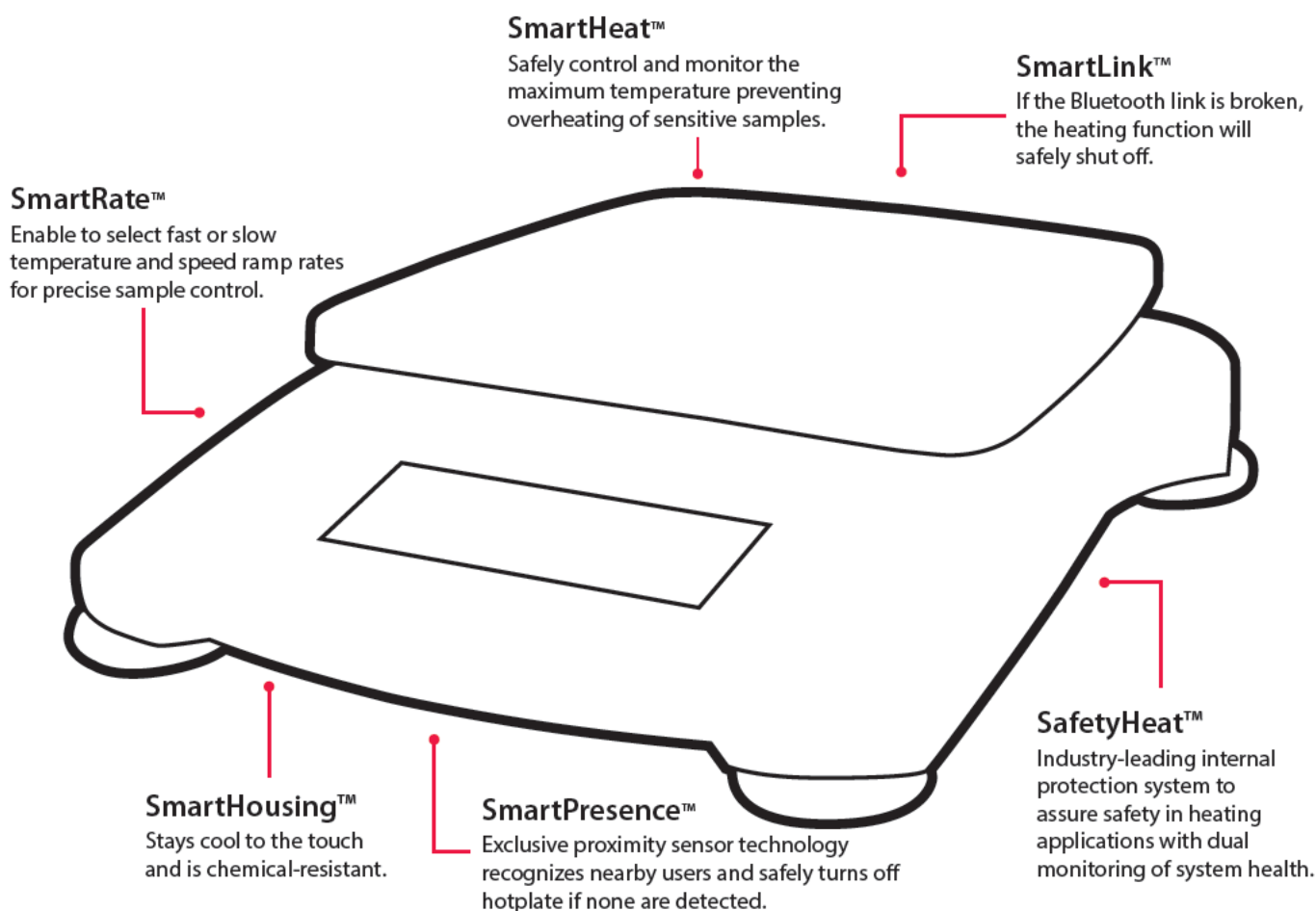
Durable Hotplate Stirrers with Superior Safety Features and Intelligent Performance

OHAUS Guardian 7000 Hotplate Stirrers are designed with outstanding safety features and superior performance for every application. All sizes feature SafetyHeat™; an industry leading internal protection system that assures safety in heating applications with dual monitoring of system health. For precise sample control, use the included temperature probe and enable SmartRate™ to select fast or slow temperature and speed ramp rates.

Standard Features:

- **SmartPresence™ Technology Ensures Supervised Operation in the Lab**
Protect your lab with SmartPresence™ technology. This exclusive state-of-the-art technology can recognize a user nearby, and if no one is detected the heating function will safely shut off.
- **SmartHeat™ Safeguards Temperature Sensitive Applications**
Safely control maximum temperature. SmartHeat™ allows you to set the maximum temperature of the hotplate stirrer, preventing overheating of sensitive samples - keeping the user and sample safe.
- **Consistently Safe to Use at High Temperature Settings with SmartHousing™**
Safeguard operators - SmartHousing™ remains cool to the touch at all temperature settings. The large hot top light can be seen across the lab and illuminates when the heater is above 40 °C.
- **When Temperature Accuracy is Required, Use the Single Point Calibration Feature**
Ensure temperature accuracy - heating models include a Single Point Calibration feature to match the unit's display to a known external temperature standard for multiple setpoints - five probe and five plate.

GUARDIAN™ 7000 Hotplate Stirrers



Model	e-G71HS07C	e-G71HS10C	e-G71HSRDM
Function	Heating and Stirring		
Speed Range	60 rpm to 1600 rpm		
Speed Stability	+/- 2 %		
Temperature Range	Ambient + 5 °C – 500 °C		
Temperature Stability	+/- 1 % Plate, below 100 °C +/- 1 °C and +/- 0.5 % Probe, below 100 °C +/- 1 °C		
Temperature Accuracy	Plate +/- 5 °C (after Single Point Calibration) and Probe +/- 0.5 °C (after Single Point Calibration)		
Temperature Calibration	Five Plate and Five Probe		
Timer	1 minute to 99 hours and 59 minutes		
Control	Digital		
Display	Custom Backlit LCD		
Communication	USB		
Capacity	15 L	18 L	20 L
Top Plate Material	Ceramic		Aluminum
Top Plate Size	7 x 7 in / 17.8 x 17.8 cm	10 x 10 in / 25.4 x 25.4 cm	5.3 in diameter / 13.5 cm
Dimensions (H x L x W)	4.8 x 12.2 x 8.8 in 12.2 x 30.9 x 22.3 cm	4.8 x 16.3 x 11.25 in 12.2 x 41.5 x 28.6 cm	5.0 x 10.5 x 6.8 in 12.6 x 26.7 x 17.3 cm
Net Weight	5.7 lb. / 2.6 kg	11.5 lb. / 5.2 kg	5.7 lb. / 2.6 kg
Power	120V, 10A, 50/60Hz	120V, 11.2A, 50/60Hz	120V, 8.3A, 50/60Hz
Power Consumption	1080 W	1210 W	896W
Working Environment	41 °F – 104 °F, 80 % RH, non-condensing / 5 °C – 40 °C, 80 % RH, non-condensing		
Included Accessories	Temperature Probe and In Use Cover		

GUARDIAN™ 7000 Hotplate Stirrers

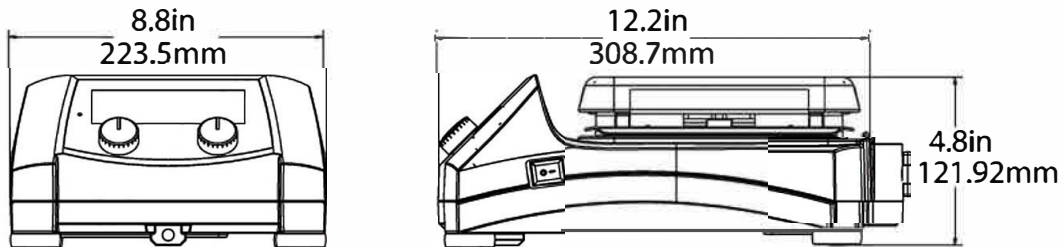
Accessories

Item No.	Description	e-G71HS07C	e-G71HS10C	e-G71HSRDM
30500570	Base Plate, 135 mm			●
30500571	Handles for Base Plate			●
30500572	Sectional Block, 12 mm Vials			●
30500573	Sectional Block, 15 mm Vials			●
30500574	Sectional Block, 17 mm Vials			●
30500575	Sectional Block, 21 mm Vials			●
30500576	Sectional Block, 28 mm Vials			●
30500577	Sectional Block, 12 mm Test Tubes			●
30500578	Sectional Block, 16 mm Test Tubes			●
30500579	Sectional Block, 20 mm Test Tubes			●
30500580	Sectional Block, 25 mm Test Tubes			●
30500581	Uni Block, 12 mm Vials			●
30500582	Uni Block, 15 mm Vials			●
30500583	Uni Block, 17 mm Vials			●
30500584	Uni Block, 21 mm Vials			●
30500585	Uni Block, 28 mm Vials			●
30500586	Uni Block, 12 mm Test Tubes			●
30500587	Uni Block, 16 mm Test Tubes			●
30500588	Uni Block, 20 mm Test Tubes			●
30500589	Uni Block, 25 mm Test Tubes			●
30500590	Temperature Probe, 20 cm S/S	●	●	●
30500591	Temperature Probe, 20 cm PTFE	●	●	●
30500592	Temperature Probe, 25 cm S/S	●	●	●
30500593	Temperature Probe, 25 cm PTFE	●	●	●
30500594	In Use Cover Guardian, 7 x 7	●		
30500595	In Use Cover Guardian, 10 x 10		●	
30500596	In Use Cover Guardian, Round			●
30500597	Vessel Clamp	●	●	●
30500598	Stir Bar Retriever	●	●	●
30412537	Wireless Dongle MTICWD-200	●	●	●
30392314	Clamp, Specialty, Column, CLS-COLMNSS	●	●	●
30392315	Clamp, Specialty, Column, CLS-COLMNSM	●	●	●
30392316	Clamp, Specialty, Column, CLS-COLMNSL	●	●	●
30392317	Clamp, Specialty, Column, CLS-COLMNSX	●	●	●
30392318	Clamp, Specialty, Nester, CLS-NESTXS	●	●	●
30400145	Ultra Flex Support Kit	●	●	●
30400146	Support Rod And Clamp Kit	●	●	●
30400147	Spinbar, 2.5 cm PTFE	●	●	●
30400148	Spinbar, 3.8 cm PTFE	●	●	●
30400149	Spinbar, 7 cm PTFE	●	●	●
30400150	Spinbar, 10 cm with Pivot Ring PTFE	●	●	●

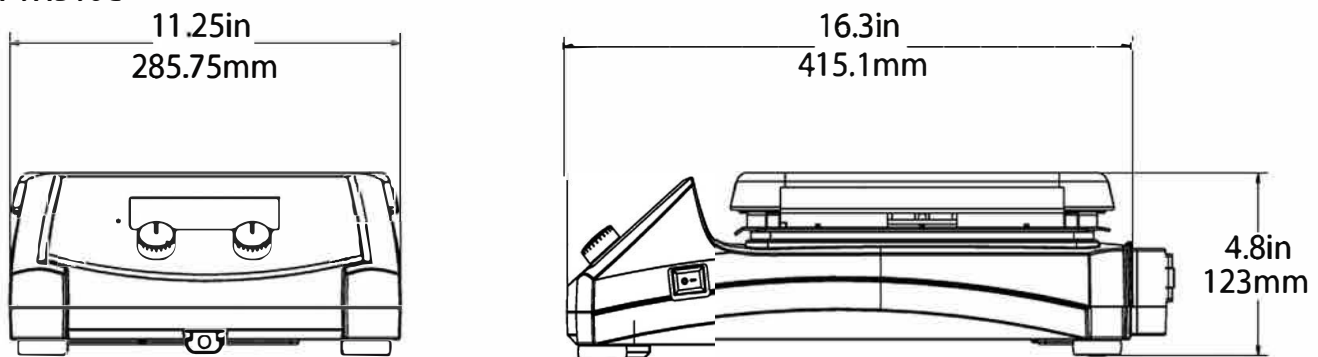
GUARDIAN™ 7000 Hotplate Stirrers

Outline Dimensions

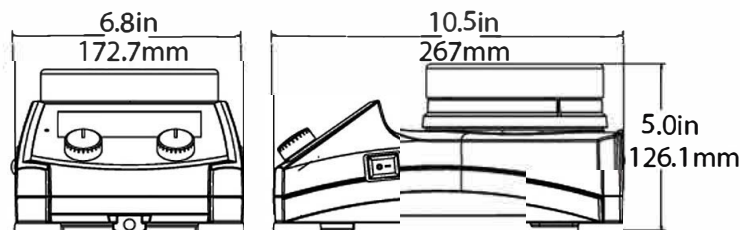
e-G71HS07C



e-G71HS10C



e-G71HSRDM



Other Standard Features and Equipment

Green indicator lights when unit is heating and stirring; icons for SmartRate™, SmartHeat™, SmartPresence™, SmartLink™, probe in use, USB port for programming of repeat applications, IP21 Ingress Protection, probe connection, hardened glass front panel, control knobs, On/Off switch for heater disconnect, built-in support rod holder, easy-to-clean ceramic or aluminum tops

Compliance

- **Product Safety:** TÜV SÜD certified to CAN/CSA C22.2 61010-1; CAN/CSA C22.2 61010-2-010; CAN/CSA C22.2 61010-2-051; UL 61010-1; UL 61010-2-010; UL 61010-2-051
- **Electromagnetic Compatibility:** Canada ICES-003 Class A; FCC Part 15 Class A
- **Compliance Mark:** TÜV SÜD

0776480 - A 20191022 © Copyright OHAUS Corporation



OHAUS®