

Installation Instructions

HDO Oscilloscope Rackmount Accessory

HDO Oscilloscope Rackmount Accessory Installation Instructions

© 2013 Teledyne LeCroy, Inc. All rights reserved.

Unauthorized duplication of Teledyne LeCroy documentation materials other than for internal sales and distribution purposes is strictly prohibited. However, clients are encouraged to distribute and duplicate Teledyne LeCroy documentation for their own internal educational purposes.

HDO Oscilloscope and Teledyne LeCroy are registered trademarks of Teledyne LeCroy, Inc. Windows is a registered trademark of Microsoft Corporation. Other product or brand names are trademarks or requested trademarks of their respective holders. Information in this publication supersedes all earlier versions. Specifications are subject to change without notice.

922646-00 Rev A

February 2013

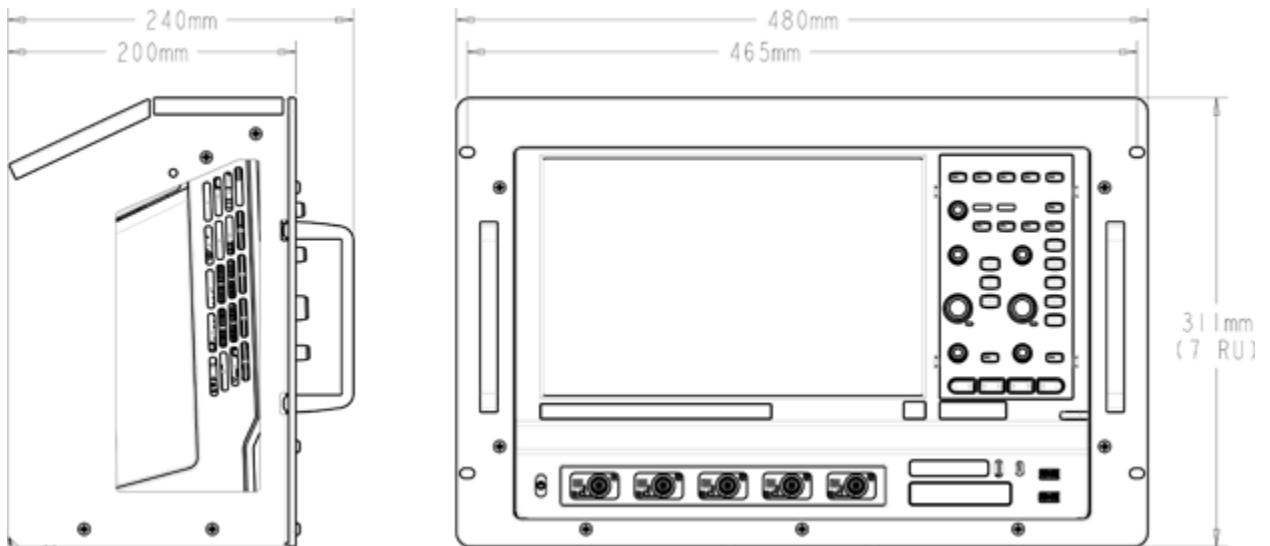
Welcome

Thank you for purchasing a Rackmount Accessory for the Teledyne LeCroy HDO Oscilloscope. The following topics explain proper installation and usage procedures.

Upon receiving your shipment, remove all parts from the packaging. Refer to **Package Contents** to ensure that all items have shipped correctly.

Check the **Pre-Installation Requirements**, then follow the **Installation Procedure** to set up your Rackmount properly.

When fully assembled, rackmount accessory dimensions are 7 RU (311 mm or 12.25 inches) vertical, 480 mm horizontal, and 240 mm deep (including handles).



Package Contents

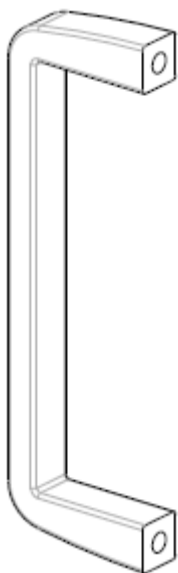
Please take a moment to ensure all parts have correctly shipped with your Rackmount:



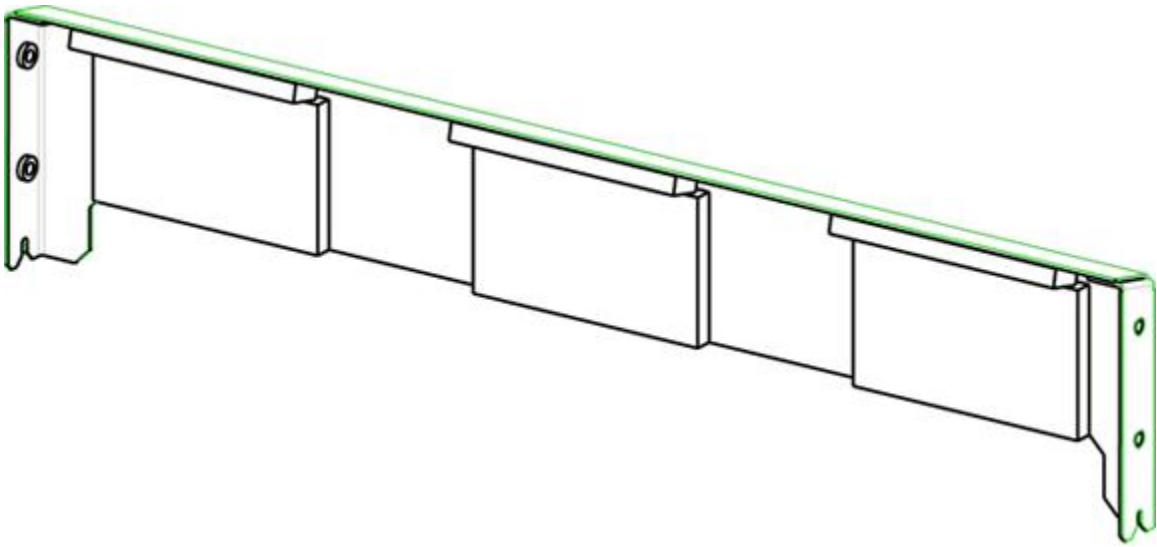
M4 X 10 Phillips Screw (15)



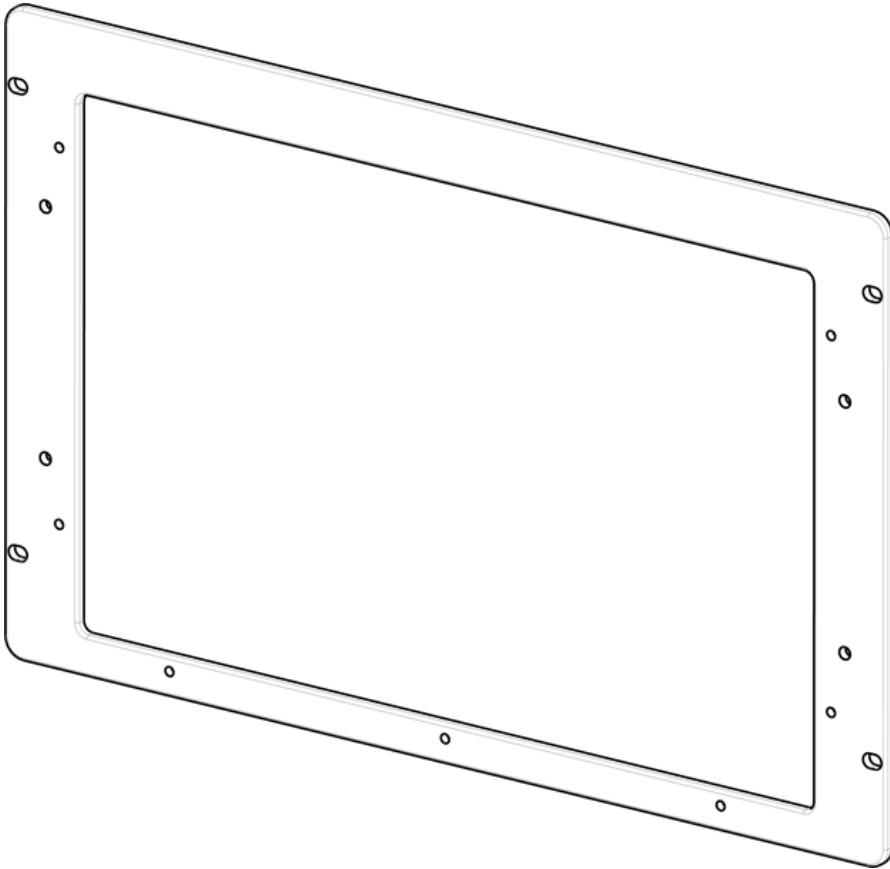
M5 X 12 Phillips Screw (4)



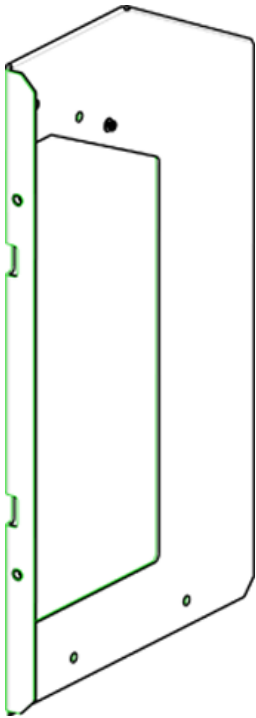
12.2mm Front Handle (2)



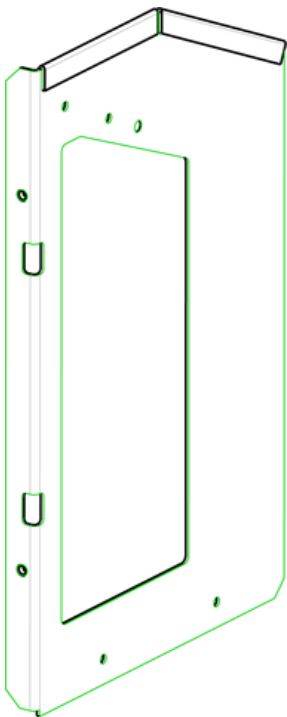
Top Bracket (1)



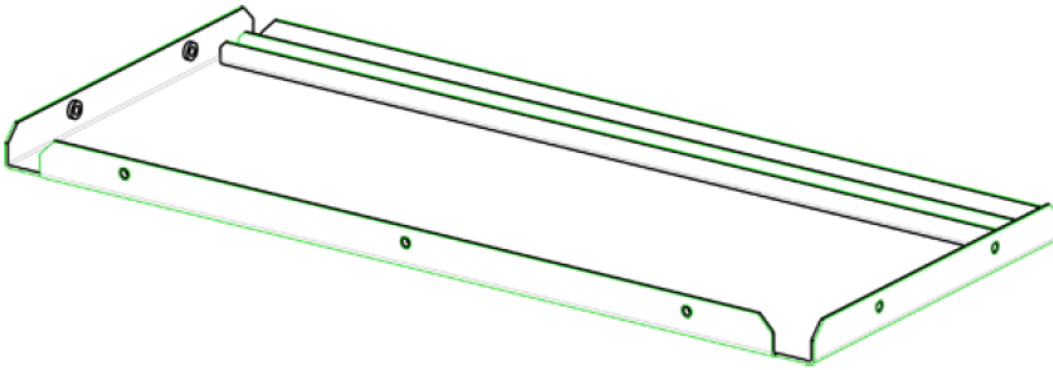
Face Plate (1)



Left Wall (1)



Right Wall (1)



Tray Base (1)

Contact the Teledyne LeCroy Service Center nearest to you if any parts are missing or damaged.

NOTE: Parts are shown in this manual using the aforementioned names. See the **Part Reference Table** for the exact Teledyne LeCroy part numbers when ordering replacements.

Part Reference Table

Use the following numbers when ordering replacement parts.

Description	Teledyne LeCroy Part Number	Qty. Per Unit
M4 X 10 Phillips Screw	550441110	15
M5 X 12 Phillips Screw	42A0000003090	4
12.2mm Front Handle	42A0000002918	2
Top Bracket	922666-00	1
Face Plate	922476-00	1
Left Wall	922477-00	1
Right Wall	922478-00	1
Tray Base	922475-00	1
Installation Instructions	922646-00	1

Pre-Installation Requirements

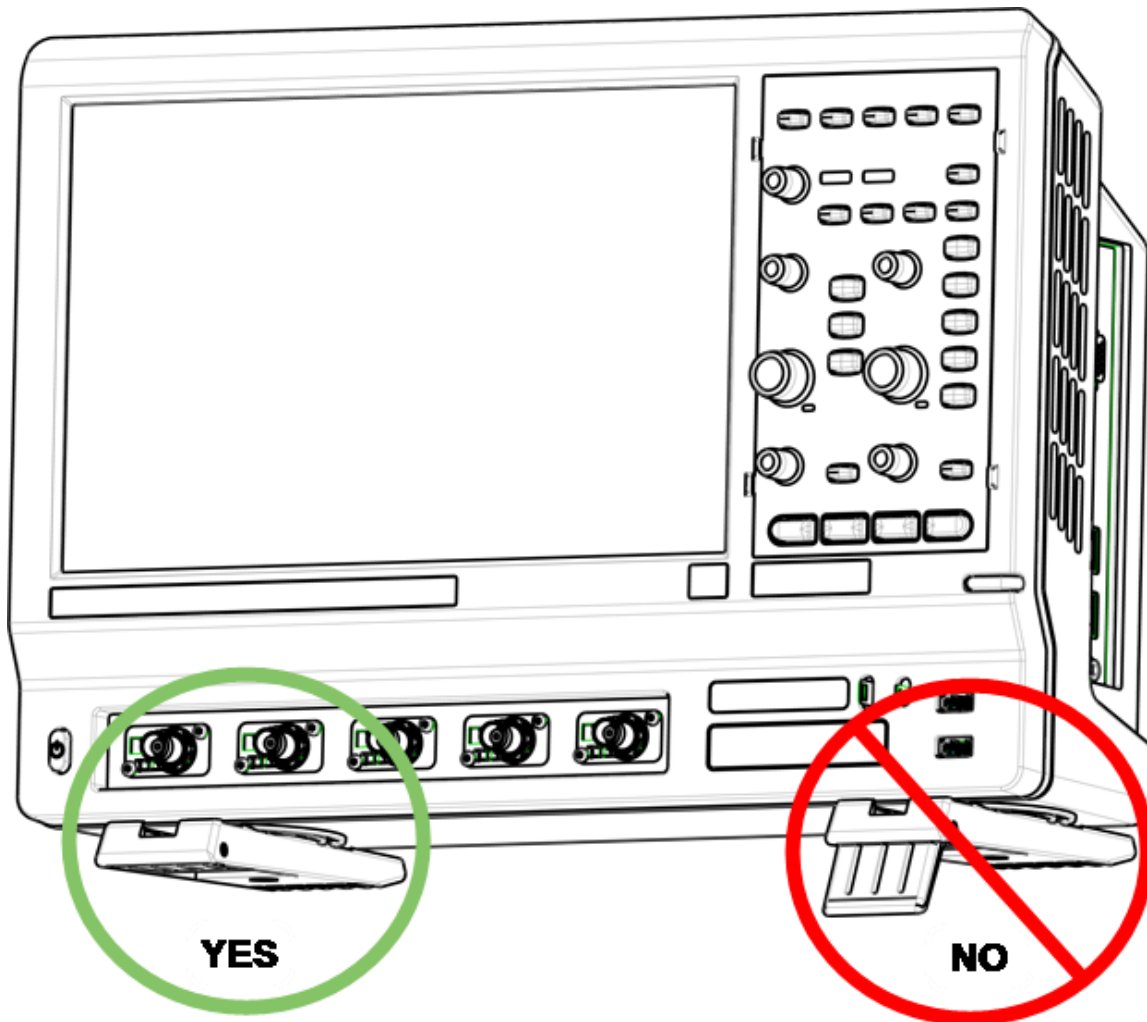
Tools

A standard Phillips (#2 head) screwdriver is required for the light assembly of your HDO Oscilloscope Rackmount.

Oscilloscope

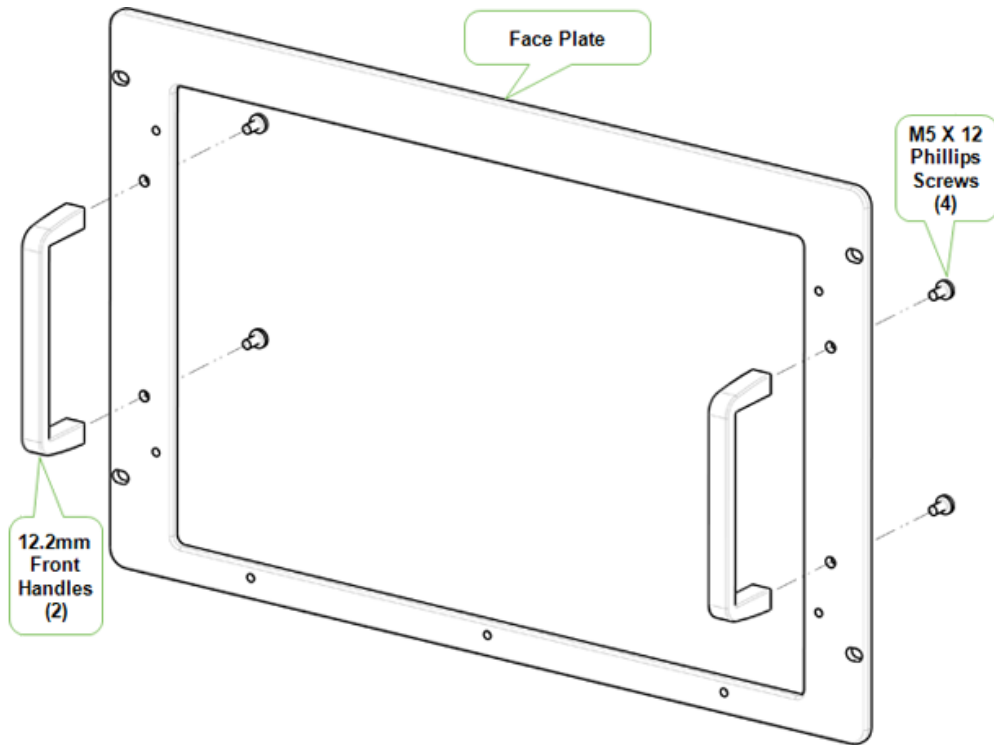
Be sure to prepare your HDO oscilloscope for rack mounting by performing the following:

- **Power down** the oscilloscope.
- **Unplug the AC Power Plug from the back panel** of the oscilloscope.
- **With the feet rotated to the position shown below, flip up the feet of your oscilloscope** so the instrument lies flat.

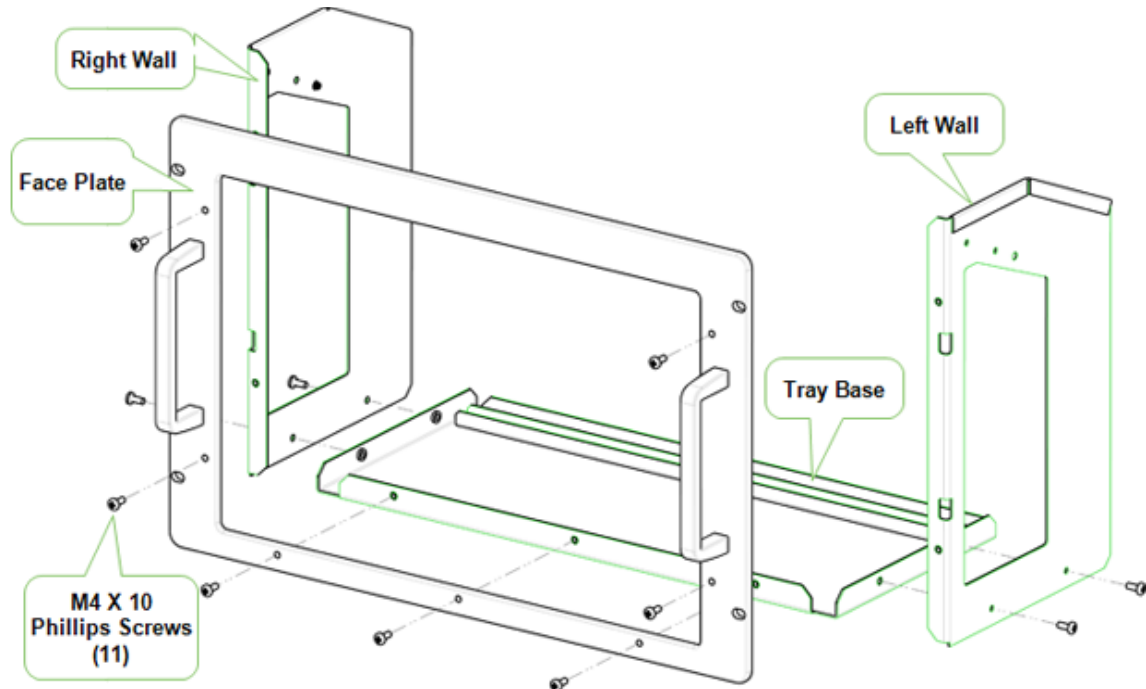


Installation Procedure

1. Attach the two **12.2mm Front Handles** to the **Face Plate** using the four provided **M5 X 12 Phillips Screws**.

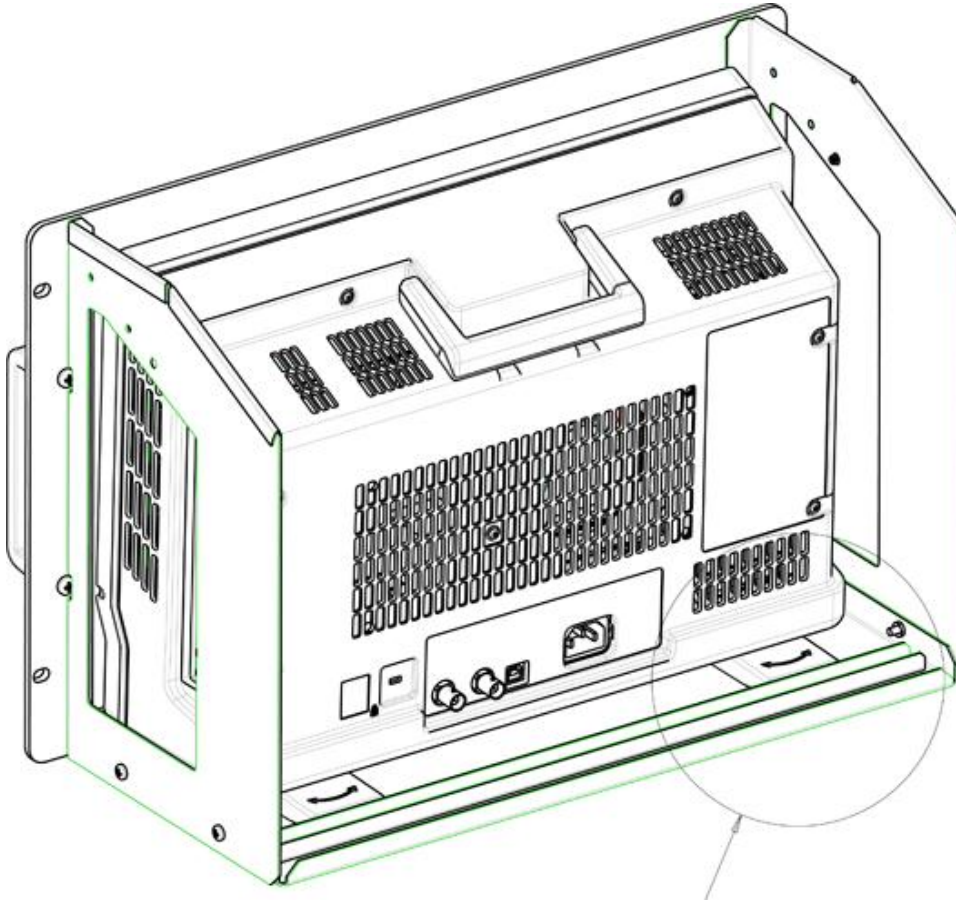


2. Attach the **Face Plate**, **Left and Right Walls** to the **Tray Base** using 11 of the 15 provided **M4 X 10 Phillips Screws**.

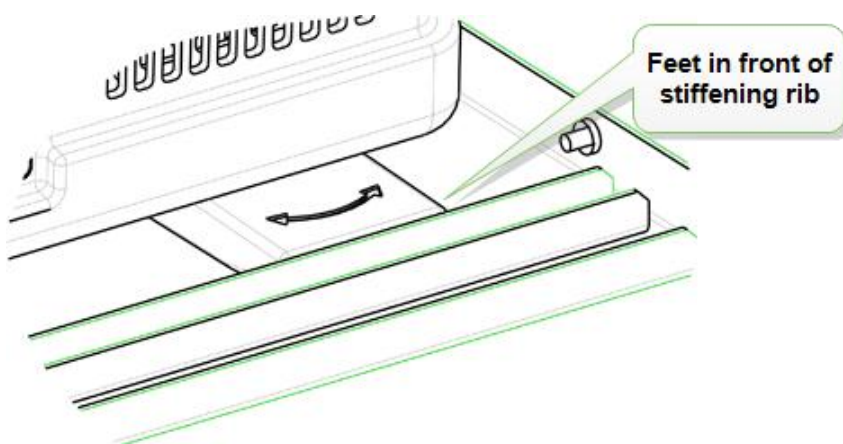


HDO Oscilloscope Rackmount Accessory

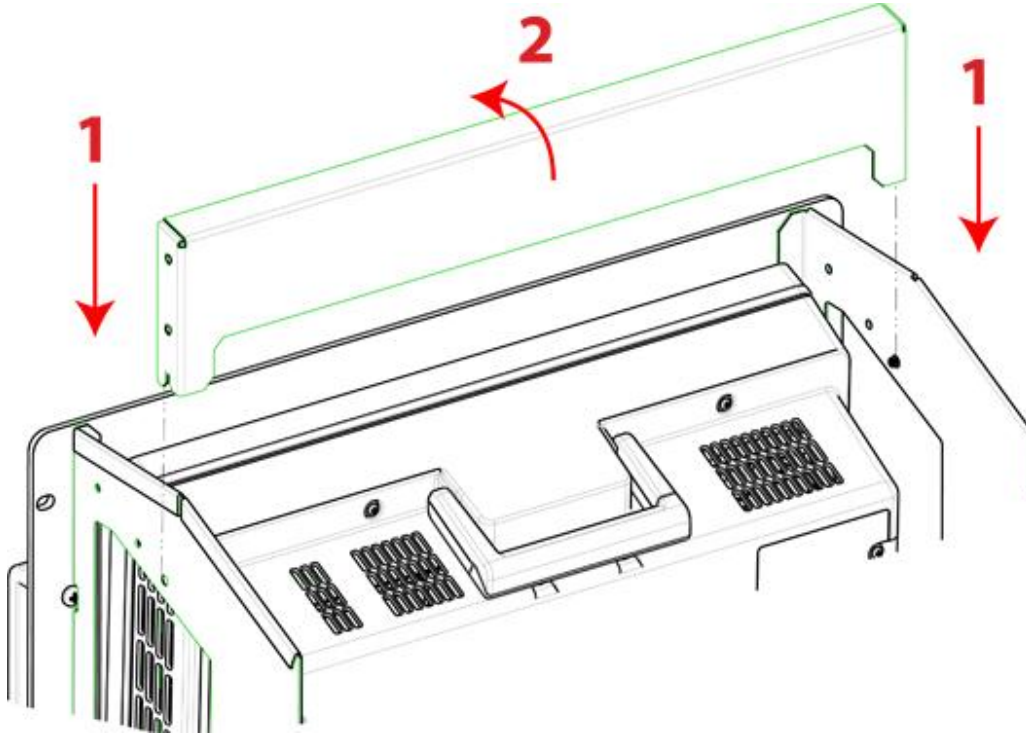
3. With your oscilloscope prepared according to the **Pre-Installation Requirements**, carefully pick up and lower the oscilloscope into the assembled **Face Plate**, **Left and Right Walls**, and **Tray Base**.



Seat the instrument into the Tray Base, centering the front of the unit into the Face Plate opening. Position the feet of the oscilloscope in front of the stiffening rib located toward the back of the Tray Base.



4. Align the slots on the **Top Bracket** with the positioning pins inside the **Left and Right Walls**, then rotate the Top Bracket forward until it rests on top of the oscilloscope and the screw holes align.



5. Use the remaining four **M4 X 10 Phillips Screws** to attach the **Top Bracket** to the **Left and Right Walls**.

