

Rack Adapter Panel

GRA-445



Assembly Manual

GW INSTEK PART NO. 82RA-44500M01

This assembly manual contains proprietary information, which is protected by copyrights. All rights are reserved. No part of this manual may be photocopied, reproduced or translated to another language without prior written consent of Good Will company.

The information in this manual was correct at the time of printing. However, Good Will continues to improve products and reserves the rights to change specification, equipment, and maintenance procedures at any time without notice.



ISO-9001 CERTIFIED MANUFACTURER

GW INSTEK

GRA-445

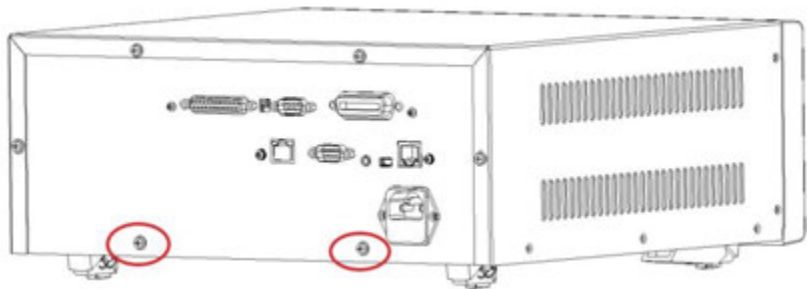
Rack Mount Adapter Component List and Assembly

Description Please check to make sure all the components of the GRA-445 rack mount kit are provided.

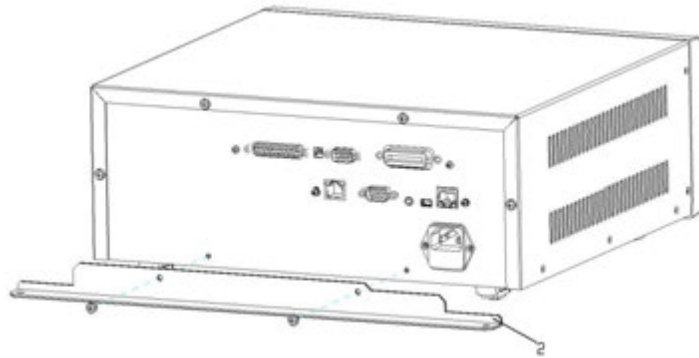
GRA-445 Assembly	Item	Part NO.	Description	QTY
	1	62RA-445FP101	CA GRA-445 FRONT PLATE ,RoHS	1
	2	62RA-445HP101	CA GRA-445 L TYPE HOLDER ,RoHS	1
	3	62RA-445LO101	CA GRA-445 BOTTOM COVER ,RoHS	1
	4	594B-W4008NS1	SCREW BMS ,M4*8 ,ISO ,N (WASHER P.S) ,RoHS	5
	5	592B-04016NS1	SCREW PMS ,+ ,4*16 ,ISO ,N ,RoHS	4
	6	62PA-340HD101	CA PA 3U HANDLE, RoHS	2

Assembly

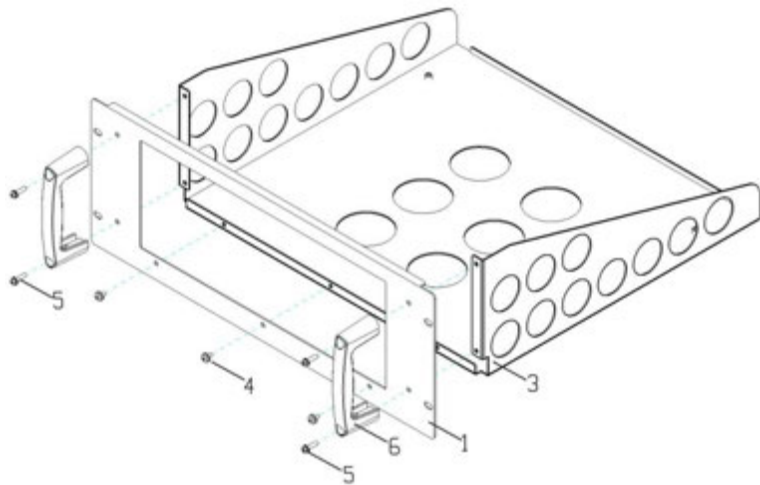
Initial setup 1. Loosen and remove the 2 screws from rear panel of unit.



2. Fasten the 2 screws, which were removed from the step 1, with the holder 62RA-445HP101 on the rear side of unit.



3. Assemble the holding bracket as the figure shown below.



4. Place the unit on top of the holding bracket followed by fastening them with 2 screws 594B-W4008NS1.

