

Rack Adapter Panel

GRA-454

GW INSTEK

Assembly Manual

GW INSTEK PART NO. 82RA-45400M01

This assembly manual contains proprietary information, which is protected by copyrights. All rights are reserved. No part of this manual may be photocopied, reproduced or translated to another language without prior written consent of Good Will company.

The information in this manual was correct at the time of printing. However, Good Will continues to improve products and reserves the rights to change specification, equipment, and maintenance



ISO-9001 CERTIFIED MANUFACTURER

GW INSTEK

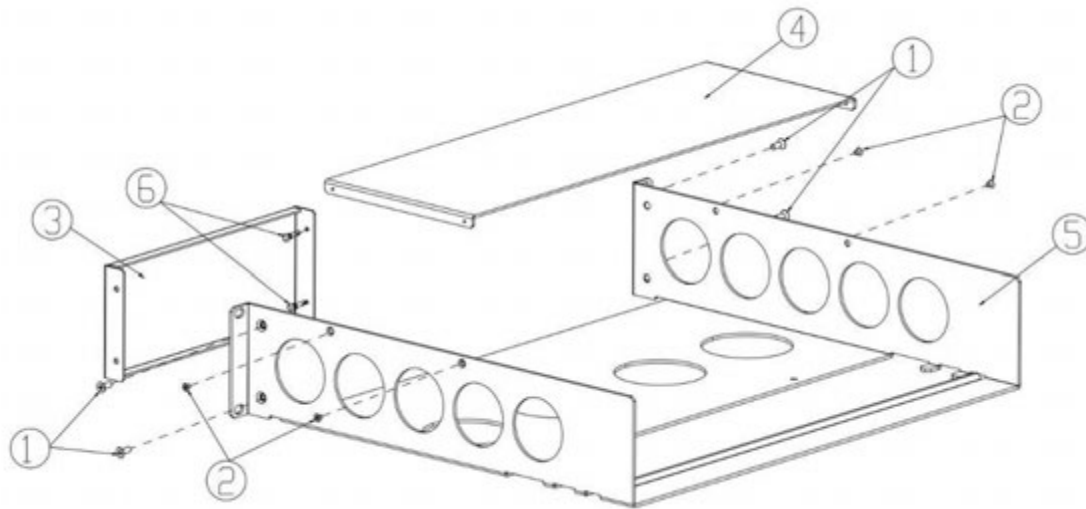
GRA-454

Overview

The GRA-454 rack mount is suited for several models including of DAQ-9600/GDM-82XX/GDM-906X, GPM-8213. The GRA-454 is specifically designed to hold one or two units and fits in a standard 19" 2U rack.

Rack Mount Adapter Component List

Description Please check to make sure all the components of the GRA-454 rack mount kit are well provided as listed below.

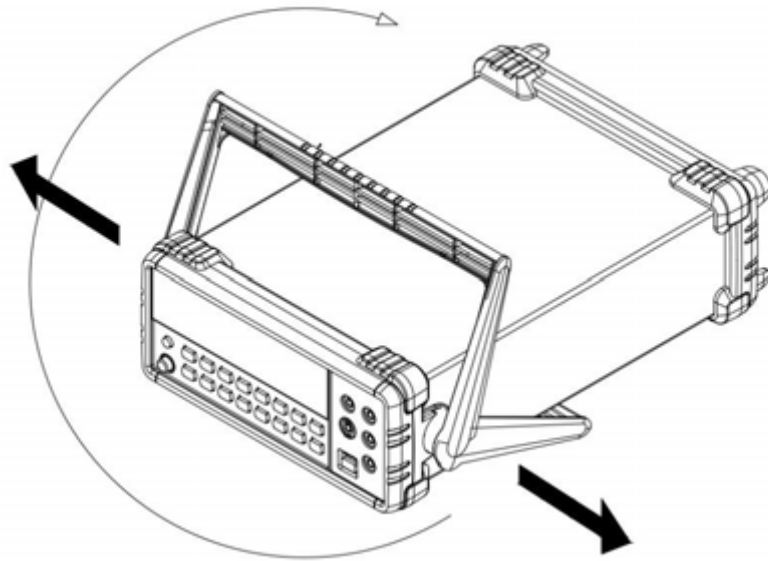


GRA-454 Assembly	Item	Part NO.	Description	QTY
	1	593B-04012NS1	SCREW FMS 4*12*0.7, ISO, RoHS	4
	2	593B-03004NS1	SCREW FMS ,+ ,3*4 ,ISO, N, RoHS	4
	3	62RA-436FP101	*CA GRA-436 FRONT PLATE (BLANK), RoHS	1
	4	62RA-436UP101	*CA GRA-436 TOP COVER ,RoHS	1
	5	62RA-454LO101	*CA GRA-454 BOTTOM COVER ,RoHS	1
	6	5320-01300101	SR3-13	2

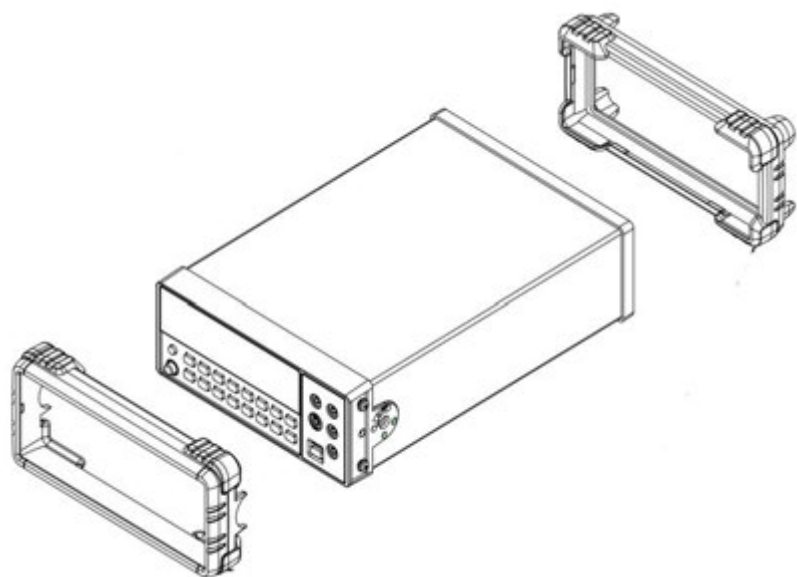
Rack Adaptor Assembly

Step 1 – preparation

1. Rotate the handler upward followed by pulling out the bases of handler from both left and right sides to remove the handler away from unit. See the figure below of the model GDM-906X for example.

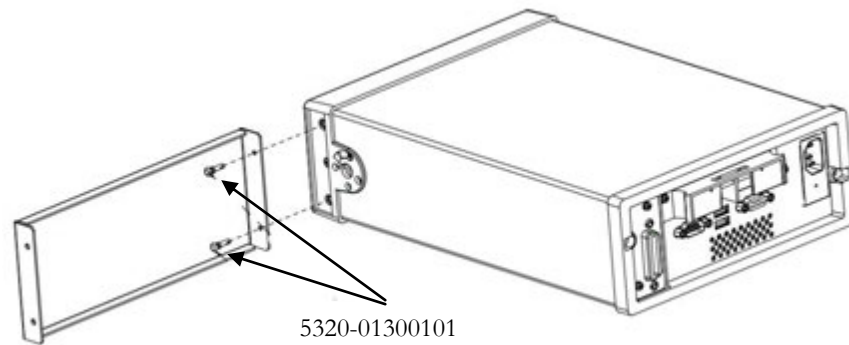


2. Further remove both the front and rear protective rubber casings away from unit as the figure below shown.



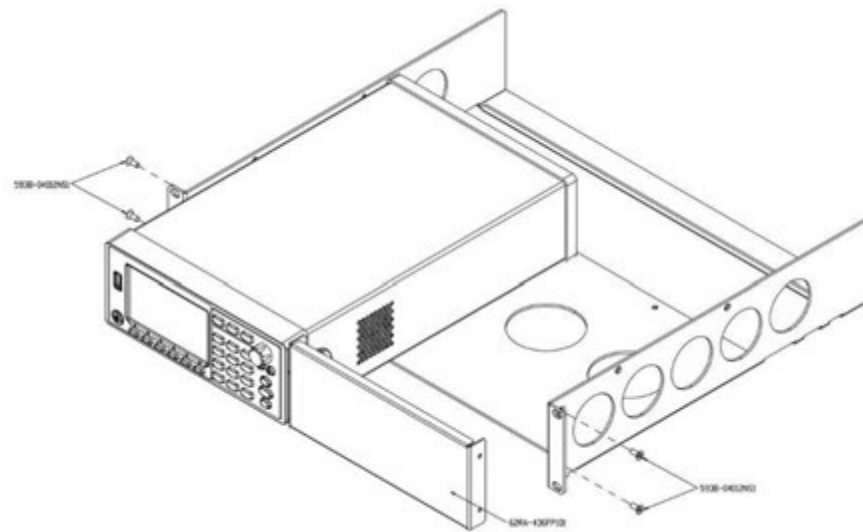
Step 2 – for
single unit

Connect the front plate with unit in parallel with fastening the plastic rivets firmly.



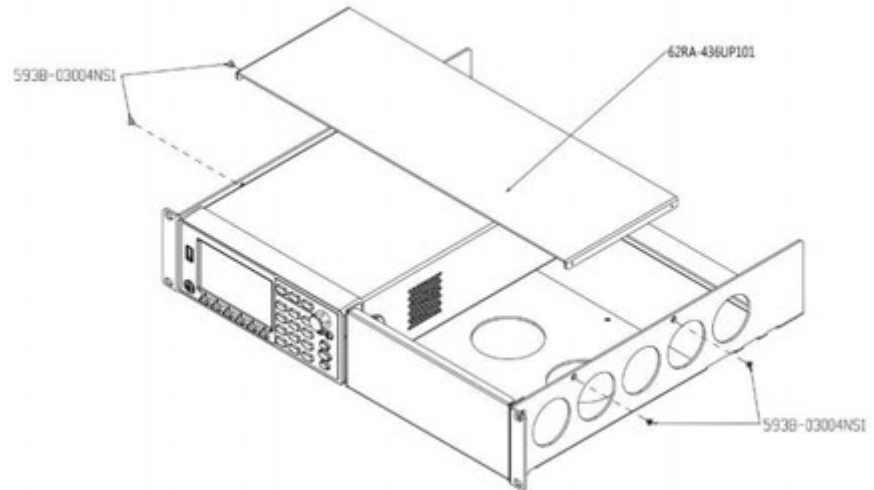
Step 3 – for
single unit

Place the unit along with front plate combined into the bottom cover of rack mount followed by tightening the M4*12 screws in the front end as the following figure shown.



Step 4 - for
single unit

Put the top cover onto the rack mount followed by fastening the M3*4 screws in the 2 sides as the following figure shown. The rack mount is completely assembled with unit.

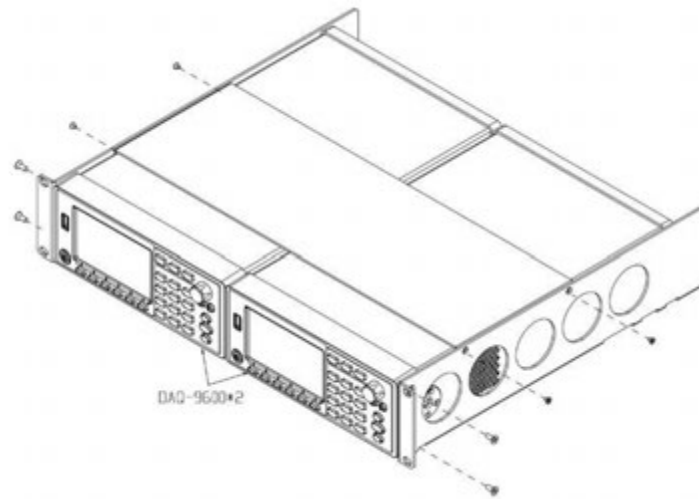


Multiple Applications

The GRA-454 rack mount provides, in addition to the single unit assembly, up to 2 types of assembly for both dual units and hybrid units applications. See the following figures respectively for reference.

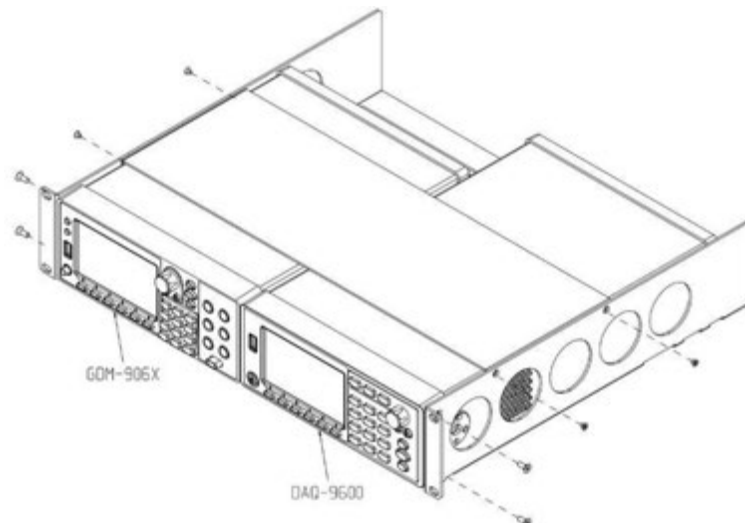
Dual units application

It is available to make dual units of identical model assembled with the rack mount together for specific application. Here we take two DAQ-9600 units for example as follows where the front plate will be of no use and thus dismissed.

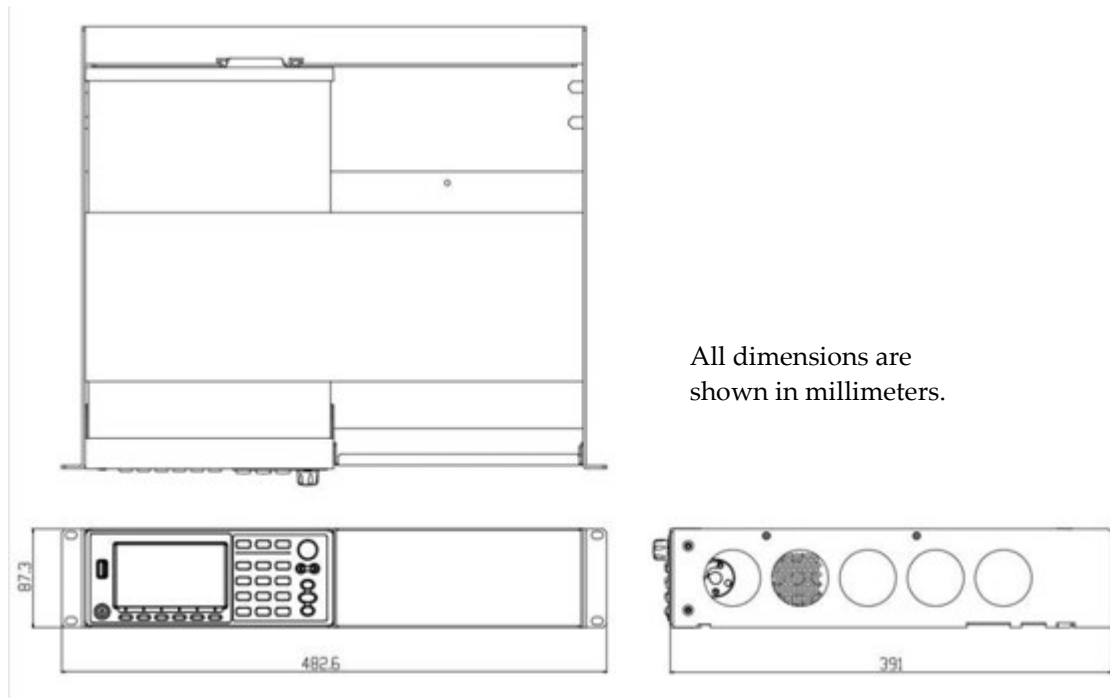


Hybrid units application

In addition, 2 units of varied models can be assembled with the rack mount together to form the hybrid application. Here we take GDM-906X and DAQ-9600 for example as follows where the front plate will be of no use and thus dismissed.



Rack Adaptor Dimension



All dimensions are shown in millimeters.

