



# ION-100A

Ionizer



99 Washington Street  
Melrose, MA 02176  
Phone 781-665-1400  
Toll Free 1-800-517-8431

Visit us at [www.TestEquipmentDepot.com](http://www.TestEquipmentDepot.com)



## *Increasing Weighing Accuracy by Reducing Static Electricity*

ION-100A ionizer optimizes the accuracy of results when weighing extremely finite samples by mitigating static charges that can lead to inaccuracies. ION-100A eliminates static electricity on plastic and glass weighing vessels which are particularly prone to attracting static charges. The ION-100A ionizer used with an OHAUS balance adds an extra level of assurance that outside factors will not impact the accuracy of weighing data.

### *Standard Features Include:*

- **Fan-Free Technology Neutralizes Static with No Sample Disruption**—ION-100A's electrodes continuously generate bipolar ions through DC corona (fan-free technology). The positive and negative ions are created by two electrodes that direct the ionized air onto the sample. Through this fan-free technology, the ION-100A neutralizes static charges without the production of air streams.
- **An Easily Replaceable Long-Running Motor**—The ionizer's durable electrodes, which have an estimated operating life of 15,000 hours, can be easily replaced as necessary.
- **A Compact and Versatile Design**—The ionizer's height and angle can be adjusted for optimal alignment with the balance, while its small footprint takes up minimal space on the lab bench.

# ION-100A Ionizer

Model	ION-100A
Item Number	30095929
Power	12V $\approx$ 0.5A
Ambient Conditions	Indoor use only
Specified Temperature Range	0°C to 40°C
Humidity	Maximum relative humidity 80% for temperatures up to 31°C, decreasing linearly to 50% relative humidity at 40°C
Power Supply Voltage Fluctuations	Up to $\pm$ 10% of the nominal voltage
Installation Category	II
Pollution Degree	2
Operating Temperature Range	5°C to 40°C / 41°F to 104°F
Net Weight	0.5 kg / 1.1 lb
Shipping Dimensions (W x H x L)	28 x 21 x 15 cm / 11 x 8.27 x 5.9 in
Shipping Weight	1.2 kg / 2.6 lb

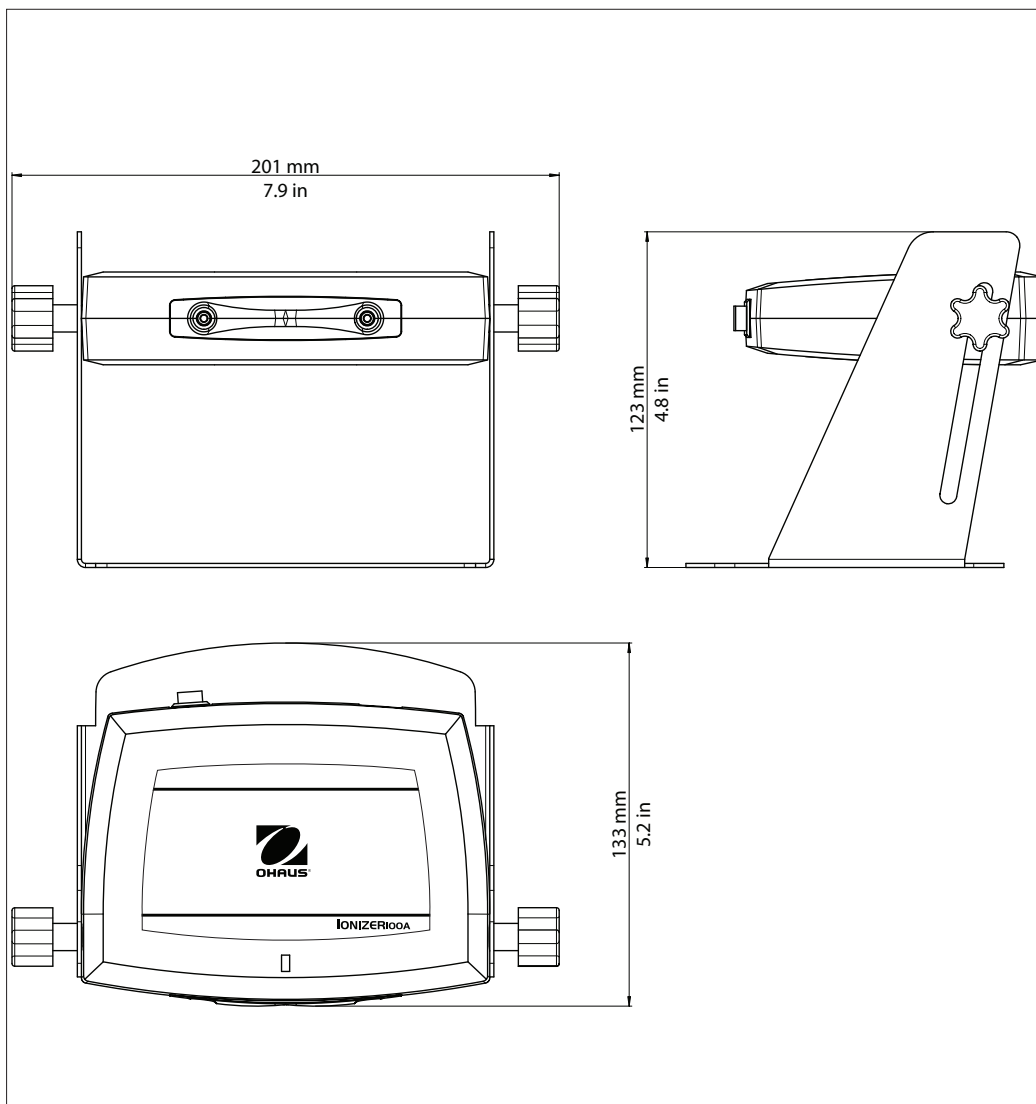
## Compliance

- **Product Safety:** IEC 61010-1:2010, EN 61010-1:2010, CSA C22.2 61010-1-12, UL 61010-1 (3rd edition)
- **Electromagnetic Compatibility:** IEC 61326-1:2012 (Class A emissions, General immunity), EN 61326-1:2013 (Class A emissions, General immunity), FCC Part 15 (Class A), Industry Canada ICES-001 (Class A)
- **Environment:** WEEE, RoHS

## Accessory

SP, Replacement Electrode ION-100A ..... 30133391

## Dimensions



80774828\_A © Copyright OHAUS Corporation

