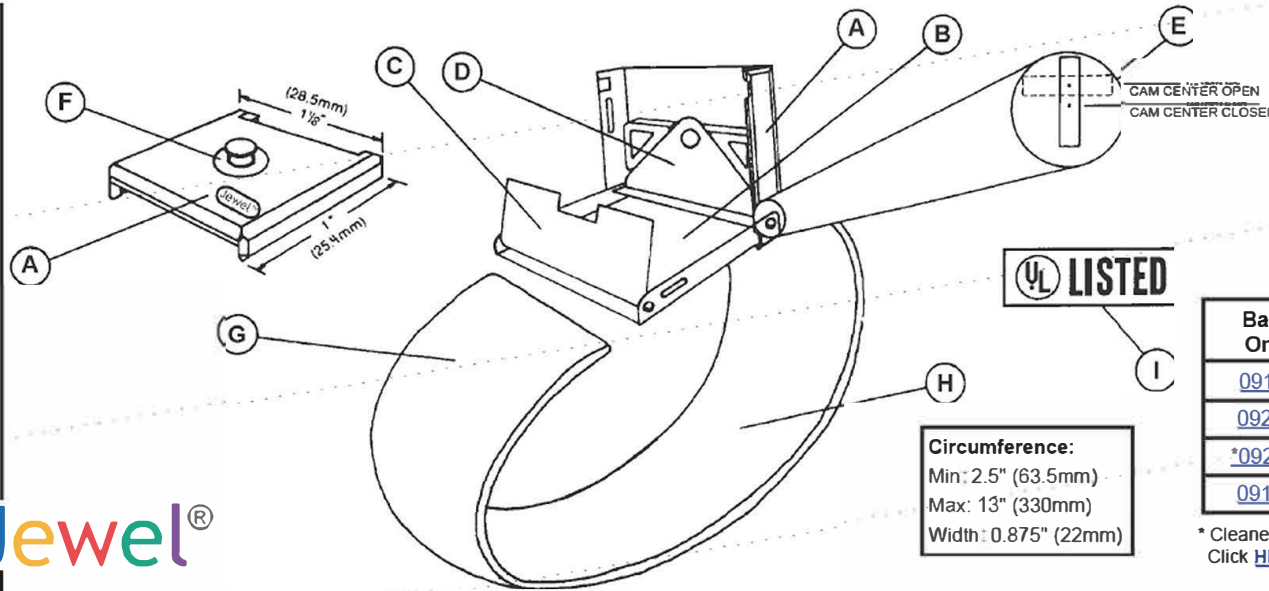




Made in the United States of America



Band Only	Band w/6' Coil Cord	Band w/10' Coil Cord	Color
<a href="#">09105</a>	<a href="#">09100</a>	<a href="#">09130</a>	Sapphire
<a href="#">09223</a>	<a href="#">09224</a>	<a href="#">09225</a>	White
<a href="#">*09233</a>	<a href="#">*09234</a>	<a href="#">*09235</a>	White
<a href="#">09140</a>	Elastic Replacement Strip		

\* Cleaned and Packaged in a Class 1000 Controlled Environment. Click [HERE](#) for details.

**Jewel**<sup>®</sup>

**Circumference:**  
Min: 2.5" (63.5mm)  
Max: 13" (330mm)  
Width: 0.875" (22mm)

- A. Insulating cap, polycarbonate plastic. Jewel<sup>®</sup> logo molded into cap.
- B. 300 series stainless steel backplate (0.016" thick). Manufacturing date code is stamped into stainless steel backplate.
- C. Small cam lock, allows material replacement. 300 series stainless steel.
- D. Large cam lock, allows size adjustment, maintains electrical continuity even when open. 300 series stainless steel.
- E. Floating cam lock allows wide opening for easy adjustment and secures material down against base plate when closed.
- F. 4mm snap stud machined from 300 series stainless steel. Fits to 4mm spring loaded medical type socket. Coil cord disengages from snap with 1-5 lbs. of perpendicular force. Durable, providing long life well beyond that of sheet metal snaps.
- G. Knit elastic band material of light blue fiber; .875" (22mm) wide and 0.10" (2.5mm) thick. 50 strands of textured polyester, 36 strands of lycra spandex and 14 strands of silver plated polypropylene yarn. Made with pure silver irreversibly bound to fibers providing both antimicrobial and anti-odor performance. Outer surface of grey fibers act as an insulator.

- H. The conductive silver plated polypropylene (see G) represents 13.5% of the material by weight. The 14 strands of conductive polypropylene are randomly knit on the inner surface of the material and are electrically isolated from the outer surface (grey side).
- I. Underwriters Laboratory listing 90P1C.

Jewel<sup>®</sup> Wristbands and Coil Cords meet and exceed the Wristband and Wrist Cord required limits of ANSI/ESD S20.20 tested per ANSI/ESD S1.1.

**Jewel<sup>®</sup> Lifetime Limited Warranty**  
Desco expressly warrants that for a period of 1 year from the date of purchase, Desco Jewel<sup>®</sup> Wrist Straps and Coil Cords will be free of defects in material (parts) and workmanship (labor). In addition, normal use will not cause Coil Cord resistor strain relief connection or Wrist Band 4 mm snap stud to wear sufficiently to open path-to-ground circuit. Within the lifetime warranty period, a credit for purchase of replacement Desco Jewel<sup>®</sup> products, or, at Desco's option, the Desco Jewel<sup>®</sup> product will be repaired or replaced free of charge. If product credit is issued, the amount will be calculated based upon the original invoice purchase price.

See drawing [09120](#) for coil cord specifications.

Unless otherwise noted, tolerance is ±10%  
Specifications and procedures subject to change without notice.

**JEWEL<sup>®</sup> WRISTBAND, ELASTIC, ADJUSTABLE**

**DESCO**

**DRAWING NUMBER**  
09105

**DATE:**  
December  
2015