

Instructions for Klein Hard Hats - Models 60100, 60105, 60107, 60107R, 60113, 60400, 60401, 60406, 60407, 60900, 60901

Instrucciones para cascos de seguridad de Klein - Modelos 60100, 60105, 60107, 60107R, 60113, 60400, 60401, 60406, 60407, 60900, 60901

Instructions pour les casques de chantier Klein - Modèles 60100, 60105, 60107, 60107R, 60113, 60400, 60401, 60406, 60407, 60900, 60901

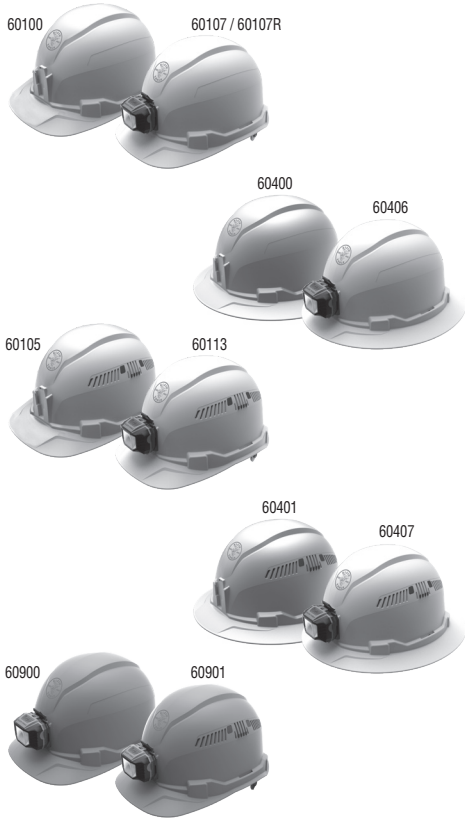


FIG. A



FIG. B

WARNING! BEFORE USE: READ ALL INSTRUCTIONS OR RISK SERIOUS INJURY OR DEATH. DO NOT REMOVE LABEL.

• This protective headwear is designed to absorb some of the energy of a blow through partial destruction of its component parts and, even though damage may not be readily apparent, any protective headwear subjected to severe impact should be replaced.

• This protective headwear must not be painted or cleaned with solvents. Any decals applied to the protective headwear must be compatible with the surface material and known not to affect adversely the characteristics of the materials used in the protective headwear. • Any addition or structural modification may reduce the protective properties afforded by this protective headwear.

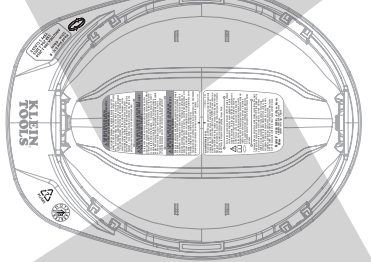
ATTENTION: AVANT UTILISATION: LIRE TOUTES LES INSTRUCTIONS OU RISQUE DE BLESSURES GRAVES OU DE MORT. NE PAS ENLEVER L'ÉTIQUETTE.

• Ce casque de sécurité est conçu pour absorber une partie du choc produit par un coup par la destruction partielle de ses composants. Même si l'endommagement n'est pas visible, tout casque de sécurité qui a subi un choc sévère devrait être remplacé. • Ce casque de sécurité ne doit pas être peint ni nettoyé à l'aide de solvants. Toute décalcomanie appliquée à ce casque doit être compatible avec le matériau de la calotte et être reconnue inoffensive pour les matériaux entrant dans la fabrication du casque. • Tout ajout au casque ou toute modification structurale du casque peut en réduire les propriétés de protection.

ADVERTENCIA! ANTES DE USAR: LEA TODAS LAS INSTRUCCIONES O PELIGRO DE LESIONES GRAVES O LA MUERTE. NO quite LA ETIQUETA.

• Esta gorra de protección está diseñada para absorber parte de la energía de un golpe a través de la destrucción parcial de sus componentes y, aunque el daño no sea aparente, debe reemplazarse cualquier gorro de protección que tenga un impacto severo. • Esta gorra de protección no debe pintarse ni limpiarse con disolventes. Las calcomanías aplicadas a los sombreros protectores deben ser compatibles con el material de la superficie y se sabe que no afectan adversamente las características de los materiales utilizados en los sombreros protectores. • Cualquier adición o modificación estructural puede reducir las propiedades protectoras proporcionadas por esta protección para la cabeza.

1370537 Rev. 01/19 E



www.kleintools.com 1370496 Rev. 01/19 E

This helmet provides LIMITED head protection from small falling objects striking the top of the helmet. A Type II helmet MUST be used for protection against front, side or rear blows. NEVER use as a vehicular or sports helmet. Before using, replace any part showing wear or damage. Replace helmet after any impact. Never alter or apply paints or solvents. Do NOT use for electrical shock protection. Do NOT expose suspension and padding to open flame.

Este casco proporciona protección LIMITADA para la cabeza contra pequeños objetos que caen golpeando la parte superior del casco. Un casco tipo II DEBE ser utilizado como protección contra golpes frontales, laterales o traseros. NUNCA lo use como un casco vehicular o deportivo. Antes de usar, reemplace cualquier pieza que muestre desgaste o daño. Reemplace el casco después de cualquier impacto. Nunca altere ni aplique pinturas o solventes. NO lo use para protección contra descargas eléctricas. NO se debe exponer la suspensión ni el acolchado a llamas abiertas.

Ce casque offre une protection de tête limitée contre les petits objets tombant sur le casque. Un casque de type II DOIT être utilisé pour la protection contre les coups avant, latéraux ou arrière. N'utilisez JAMAIS comme casque de sport ou de véhicule. Avant toute utilisation, remplacez toute pièce présentant une usure ou des dommages. Remplacez le casque après tout impact. Ne jamais modifier ou appliquer des peintures ou des solvants. NE PAS utiliser pour la protection contre les chocs électriques. Ne PAS exposer la coiffe et le rembourrage à une flamme nue.

Model # HEAD SIZE 6 1/2 - 8 (52cm - 64cm)
60### ANS/ISEA Z89.1-2014, Type 1, Class #
CSA Z94.1-2015, Type 1, Class #

NOTE: This label is representative; contents will vary based on model #.

NOTA: esta etiqueta es representativa; los contenidos variarán según el n.º del modelo #.
REMARQUE: Cette étiquette est fournie à titre indicatif; son contenu varie en fonction du modèle #.

FIG. C



FIG. D

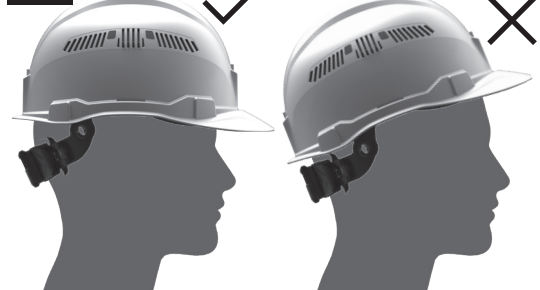


FIG. E

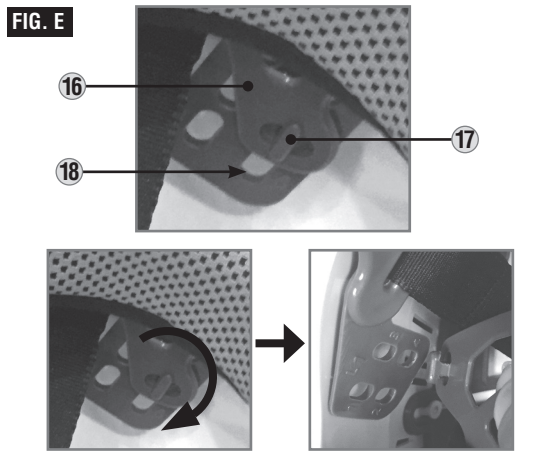


FIG. F

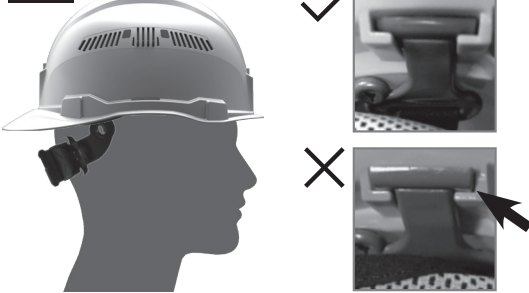


FIG. G

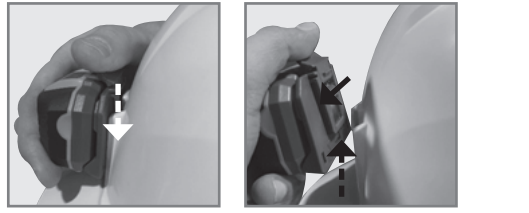
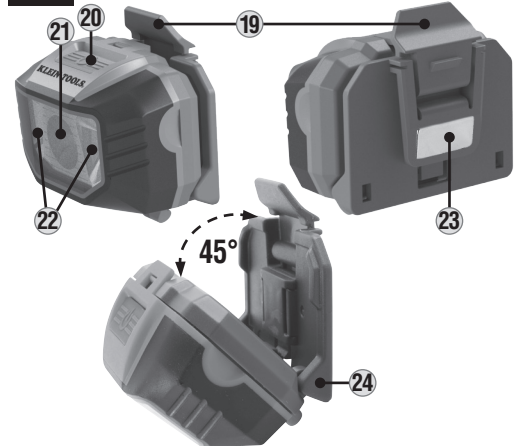
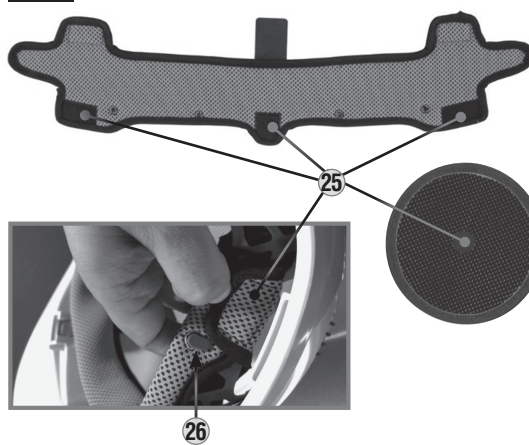


FIG. H



GENERAL SPECIFICATIONS

- **Standards:** All Klein Tools Hard Hats and suspensions comply with Type 1 ANSI/ISEA Z89.1.2014 and CSA Z94.1.2015 standards.
 - Non-Vented Class E hard hats provide limited electrical protection.
 - Vented Class C hard hats provide no electrical protection.
- **Fits:** Head Sizes 6-1/2 to 8 (20-1/2 to 25 inches / 52 to 64 cm)

SYMBOLS ON PRODUCT (FIG. A)

- 1 Reverse donning logo
- 2 Compliant Standards, Class, Type, and Head Size information
- 3 Recycling Code and material type
- 4 Date of manufacture

WARNING LABELS (FIG. B)

There are two warning labels affixed to the inside of this hard hat. Read, understand, and follow these instructions to ensure safe operation. **DO NOT REMOVE THESE LABELS.**

⚠ WARNINGS

READ ALL INSTRUCTIONS. FAILURE TO FOLLOW THESE WARNINGS AND INSTRUCTIONS MAY RESULT IN SERIOUS BODILY INJURY OR DEATH.

- This hard hat is designed to provide limited head protection from small falling objects, such as small tools, nuts and bolts, etc., striking the top of the hard hat. A Type II helmet MUST be used for protection against front, side or rear blows.
- **DO NOT** expose suspension and padding to open flame.
- **ELECTRICAL WARNING:** Avoid areas where the chance of electrical shock exists. Non-vented versions meet Class E requirements by providing limited electrical protection. Class C vented models provide **NO** electrical protection.
- If the hard hat has sustained an impact, dispose of it **IMMEDIATELY**, even if damage is not visible.
- **NEVER** alter, puncture, modify or engrave the shell or the suspension.
- **DO NOT** use paints, solvents, chemicals, adhesives, gasoline or like substances on this hard hat – doing so can lessen the protection offered against impact and penetration.
- **DO NOT** use this hard hat as a vehicular or recreational hard hat.
- **DO NOT** store objects between the suspension and the shell, as the hard hat will not function as intended and can lessen the protection from impact and penetration.
- Exposure to direct sunlight, corrosive environments, and/or extreme temperatures above 120°F (49°C) can lessen the ability of the hard hat to withstand impact and penetration.

USEFUL LIFE

SUSPENSION: Must be replaced after no more than 12 months of use.

ENTIRE HARD HAT: Entire Hard Hat must be replaced after no more than 2 years of regular use, or 5 years from the date of manufacture, whichever comes first.

These are **MAXIMUM** useful service life guidelines. Regular inspection as detailed in the **MAINTENANCE** section above **MUST** be performed, and may result in possible earlier replacement.

NOTE: This replacement schedule is a guideline that assumes normal use and storage conditions for the hard hat. If the hard hat is exposed to temperature extremes, persistent sunlight, or chemicals, replacement may be required in a shorter time frame.

FEATURE DETAILS (FIG. C)

- | | |
|-------------------------------------|---------------------------------|
| 5 Universal accessory slots | 12 Washable sweatband |
| 6 Klein Tools accessory slots | 13 Washable top comfort pad* |
| 7 Vents with shutter (C-Class only) | 14 Suspension straps |
| 8 Pivot adjustment | 15 Reflective sticker locations |
| 9 Size adjustment knob | 16 Suspension bracket |
| 10 Rear neck pad | 17 Bracket key |
| 11 Suspension strap anchor slots | 18 Bracket key slots |

FITTING (FIG. D)

All hard hats come with suspension pre-installed at factory settings. The suspension can be adjusted to ensure proper and secure fit to your head for maximum protection. Follow the steps below:

STEP 1: Turn the size adjustment knob 9 counterclockwise to loosen the fit. Position the rear pad on the back of your head, closer to the neck. Dress any bandana knots or ponytails over the rear neck pad 10.

STEP 2: Tighten by turning the size adjustment knob 9 clockwise until the hard hat is comfortable and snug. Move your head up, down and side-to-side gently, like you would normally, and make sure the hard hat stays on. Make sure that the hard hat is not angled forward or backward, but rests level on your head.

ADJUSTMENTS (FIG. E)

If the hard hat does not fit properly at the factory settings, you can further adjust the fit:

STEP 1: Free the suspension by turning the suspension bracket 16 approximately 90 degrees to free the bracket key 17 from the bracket key slots.

STEP 2: Determine which slot 18 you want to reattach to. Using the bracket slots deeper in the hard hat will move it higher on the head and vice versa. Insert the bracket key 17 and turn the bracket 16 approximately 90 degrees to lock into place. Always match the settings on the left and right sides to prevent the suspension from sitting at an angle.

STEP 3: Verify the hard hat fits properly. Follow the steps in the FITTING section to ensure proper fit. Ensure that accessories you plan to use fit and function properly while maintaining the hard hat's ability to perform its function optimally. Check with a qualified safety expert, if unsure.

NOTE: The suspension strap lengths are fixed and cannot be adjusted. **DO NOT attempt to alter.**

REVERSE DONNING (FIG. F)

NOTE: Some jobsites may not permit reverse donning - Check with your jobsite's Safety Supervisor before changing your hard hat to this configuration.

STEP 1: Place your forefinger under the strap anchor, and your thumb over the anchor slot 11. Push up with forefinger using enough force to release the anchor from the slot. Do this for all anchor slots (4 total). **NOTE: DO NOT pull on the suspension straps to free the anchor. This could permanently damage the straps, preventing them from performing as intended.**

STEP 2: Make any height adjustments for the sweatband before installation.

STEP 3: Push down each anchor until a click is heard and the anchor cannot be pushed down any further. Do this for all 4 anchors. **NOTE: DO NOT use sharp tools that may damage the anchors, or pull on the straps to secure the anchors.**

STEP 4: Check proper installation by pushing up on all 4 anchor bases. The anchors should remain fully seated in their slots. If not, repeat STEP 3.

STEP 5: Verify the hard hat fits properly. Follow the steps in the FITTING section to ensure proper fit. Also ensure that accessories you plan to use fit and function properly while maintaining the hard hat's ability to perform optimally.

SWEATBAND AND TOP COMFORT PAD* (FIG. H)

Klein Tools hard hats come with an advanced sweatband and top comfort pad* designed to wick away sweat. They are machine washable in a normal wash cycle. Do NOT wash with bleach or with detergents containing bleach. Machine dry on normal or low heat setting only.

The sweatband and top comfort pad* can be easily removed and reinstalled on the suspension:

- The top comfort pad* is held in place by a single hook-and-loop pad 25.
- The sweatband is held in place by four suspension hooks 26 and three hook-and-loop pads 25, on the side and front. To remove, simply detach all hook-and-loop pads and slide the sweatband off the suspension hooks.

VENTS (C-CLASS ONLY)

Klein Tools Class C hard hats have vents and shutters on both sides. The vents can be adjusted by simply sliding the shutter tabs 7 up or down.

⚠ **The vents and shutters will NOT prevent vapors, liquids, or debris smaller than the vents from entering the hard hat.**

KHH56220 HEADLAMP (FIG. G)

The optional KH56220 is a removable headlamp designed specifically for Klein hard hats that have the integrated front and rear accessory slots. It functions as a spot light or flood light, and has magnet to attach onto magnetic surfaces for use as a worklight. Three AAA alkaline batteries are included.

- | | |
|----------------------------|-----------------------------------|
| 19 Release tab | 22 Flood lights (50 lumens total) |
| 20 On/Off/Mode button | 23 Magnet |
| 21 Spot light (150 lumens) | 24 Pivoting mount |

The KH56220 can be attached to both the front and back of the headlamp via the Klein Tools accessory slot. It can also be tilted up to 45° while attached to a hard hat, and up to 62° when used as a stand-alone worklight.

To install the headlamp onto a Klein hard hat, align the pivoting mount 24 with the Klein Tools accessory slot 6 on the hard hat and push down until the headlamp clicks securely into place.

To remove the headlamp, press forward on the Release Tab 19, and lift the headlamp out of the accessory slot.

REFLECTIVE STICKERS* (FIG. C)

Klein Tools hard hats come with four optional reflective stickers*. For optimal performance, affix only to the designated areas 15.

Do NOT apply stickers in areas that will impede the functionality of accessories or of the hard hat itself.

MAINTENANCE

HARD HAT CLEANING AND STORAGE

- Clean the hard hat and suspension with mild soap and water only. Rinse and wipe dry. Store in a cool place.
- See SWEATBAND AND TOP COMFORT PAD section of the operating instructions (on other side) for additional maintenance information.

INSPECTION AND REPLACEMENT

Inspect the hard hat, including the suspension and shell, before and after each use:

- Check the Hard Hat's shell for any cracks, breakage, discoloration, chalky appearance, or any other damage, excessive wear or unusual condition. These conditions may indicate reduced impact or penetration resistance and the Hard Hat must be replaced **IMMEDIATELY**.
- The suspension should be checked for cracks, breaks, damaged stitching or any other damage, excessive wear or unusual condition. If any of these conditions exist, the suspension must be replaced **IMMEDIATELY**.
- Always use genuine Klein Tools replacement parts. This product works as a system, and use of unauthorized suspensions may reduce the protection you receive from this hard hat.

WARRANTY

www.kleintools.com/warranty

ACCESSORIES AND REPLACEMENT PARTS

Klein Tools hard hat accessories and replacement parts are available online or at major distributors:

- **KHHSPN:** Replacement suspension (all models)
- **KHHSPNR:** Replacement suspension (60107R only)
- **KHHSWTBND:** Sweatband (3-Pack)
- **KHHTOPPAD:** Top Comfort Pad (3-Pack)
- **KHHSTRP:** Chin Strap
- **KHH56220:** Headlamp (Alkaline)
- **56034:** Rechargeable Headlamp (Lithium Ion)

NOTE: KLEIN TOOLS CANNOT GUARANTEE THAT THIRD-PARTY ACCESSORIES WILL PERFORM OR FIT OPTIMALLY WITH KLEIN TOOLS HARD HATS.

DISPOSAL / RECYCLE



Do not place hard hat or its accessories in the trash. Items must be properly disposed of in accordance with local regulations. See www.epa.gov for additional information.

CUSTOMER SERVICE

KLEIN TOOLS, INC.

450 Bond Street, Lincolnshire, IL 60069 1-877-775-5346
customerservice@kleintools.com www.kleintools.com

ESPECIFICACIONES GENERALES

- **Normas:** Todos los cascos de seguridad tipo cachucha y suspensiones de Klein Tools cumplen con las normas ANSI/ISEA Z89.1-2014 Tipo I y CSA Z94.1-2015.
 - Los cascos de seguridad tipo cachucha Clase E sin orificios de ventilación brindan protección eléctrica limitada.
 - Los cascos de seguridad tipo cachucha Clase C con orificios de ventilación no brindan protección eléctrica.
- **Se adapta a:** tamaños de cabeza de 6-1/2 a 8 (20-1/2" a 25" / 52 a 64 cm)

SÍMBOLOS EN EL PRODUCTO (FIG. A)

- 1 Logotipo de colocación inversa
- 2 Información sobre normas con las que cumple, clase, tipo y tamaño de cabeza
- 3 Código de reciclaje y tipo de material
- 4 Fecha de fabricación

ETIQUETAS DE ADVERTENCIA (FIG. B)

Hay dos etiquetas de advertencia pegadas en el interior de este casco de seguridad tipo cachucha. Lea, comprenda y siga estas instrucciones para garantizar un funcionamiento seguro. **NO RETIRE ESTAS ETIQUETAS.**

⚠ ADVERTENCIAS

LEA TODAS LAS INSTRUCCIONES. NO SIGUIR ESTAS ADVERTENCIAS E INSTRUCCIONES PUEDE CAUSAR LESIONES PERSONALES GRAVES O MORTALES.

- Este casco está diseñado para brindar una protección limitada de la cabeza contra la caída de objetos pequeños, como herramientas pequeñas, tuercas y pernos, etc., que golpean la parte superior del casco. DEBE usarse un casco Tipo II como protección contra golpes frontales, laterales o traseros.
- **NO** exponga la suspensión ni el acolchado a llamas abiertas.
- **ADVERTENCIA DE ELECTRICIDAD:** evite las áreas donde exista la posibilidad de recibir choques eléctricos. Las versiones de casco sin ranuras de ventilación cumplen con los requisitos de Clase E al brindar una protección eléctrica limitada. Los modelos de casco Clase C **NO** brindan protección eléctrica.
- Si el casco ha sufrido un impacto, deséchelo DE INMEDIATO, incluso si el daño no es visible.
- **NUNCA** altere, perforo, modifique o grabe el casquete o la suspensión.
- **NO** use pinturas, solventes, productos químicos, adhesivos, gasolina o sustancias similares en este casco, ya que esto puede reducir la protección que ofrece contra el impacto y la penetración.
- **NO** use este casco para conducir o con fines recreativos.
- **NO** almacene objetos entre la suspensión y el casquete, ya que el casco de seguridad no funcionará como debe y se puede reducir la protección contra el impacto y la penetración.
- La exposición a la luz solar directa, ambientes corrosivos y/o temperaturas extremas superiores a 120 °F (49 °C) pueden reducir la capacidad del casco de seguridad para resistir el impacto y la penetración.

VIDA ÚTIL

SUSPENSIÓN: debe reemplazarse después de 12 meses de uso.

TODO EL CASCO DE SEGURIDAD: debe reemplazarse después de 2 años de uso frecuente, o a los 5 años desde la fecha de fabricación, lo que ocurra primero.

Estas son las pautas MÁXIMAS de vida útil. Se DEBEN realizar inspecciones frecuentes como se indica en la sección MANTENIMIENTO de arriba, y puede resultar en un posible reemplazo anticipado.

NOTA: este programa de reemplazo es una pauta que supone condiciones normales de uso y almacenamiento del casco. Si el casco de seguridad está expuesto a temperaturas extremas, luz solar continua o productos químicos, puede ser necesario reemplazarlo en un periodo más corto.

DETALLES DE LAS CARACTERÍSTICAS (FIG. C)

- | | |
|--|--|
| 5 Ranuras para accesorios universales | 12 Banda absorbente de sudor lavable |
| 6 Ranuras para accesorios de Klein Tools | 13 Almohadilla superior cómoda lavable* |
| 7 Orificios de ventilación con rejilla (Clase C solamente) | 14 Correas de suspensión |
| 8 Ajuste de giro | 15 Ubicaciones para adhesivos reflectantes |
| 9 Perilla para ajustar el tamaño | 16 Soporte de suspensión |
| 10 Almohadilla para la nuca | 17 Bloqueo de soporte |
| 11 Ranuras de anclaje de la correa de suspensión | 18 Ranuras del bloqueo de soporte |

AJUSTE (FIG. D)

Todos los cascos de seguridad cuentan con suspensión preinstalada con ajuste de fábrica. La suspensión se puede ajustar para garantizar un ajuste correcto y seguro a su cabeza para máxima protección. Siga los pasos a continuación:

PASO 1: gire la perilla para ajustar el tamaño 9 en sentido contrario a las agujas del reloj para aflojar el ajuste. Coloque la almohadilla trasera en la parte posterior de su cabeza, más cerca de la nuca. Los nudos de palacate o colas de caballo deben ir sobre la almohadilla posterior para la nuca 10.

PASO 2: ajuste girando la perilla para ajustar el tamaño 9 en sentido a las agujas del reloj hasta que el casco tenga un ajuste cómodo y ceñido. Mueva su cabeza hacia arriba, hacia abajo y hacia los lados suavemente, como lo haría normalmente, y asegúrese de que su casco se mantenga ajustado. Asegúrese de que el casco no esté inclinado hacia adelante o hacia atrás, sino que quede nivelado en su cabeza.

AJUSTES (FIG. E)

Si el casco no se adapta correctamente al ajuste de fábrica, puede adecuar aún más el ajuste:

PASO 1: libere la suspensión girando el soporte de suspensión 16 aproximadamente 90 grados para liberar el bloqueo de soporte 17 de las ranuras del bloqueo de soporte.

PASO 2: defina la ranura 18 que desee volver a calzar. Al usar las ranuras de soporte que se encuentran más al interior del casco, este se desplazará hacia arriba en la cabeza y viceversa. Inserte el bloqueo de soporte 17 y gire el soporte 16 aproximadamente 90 grados para bloquearlo en su posición. Siempre haga coincidir los ajustes en los lados izquierdo y derecho para evitar que la suspensión permanezca en un ángulo.

PASO 3: verifique que el casco se ajusta adecuadamente. Siga los pasos en la sección AJUSTES para asegurar un ajuste adecuado. Asegúrese de que los accesorios que planea usar se adapten y funcionen adecuadamente mientras se mantiene la capacidad del casco para cumplir con su función de manera óptima. Si no está seguro, verifique con un experto en seguridad calificado.

NOTA: las longitudes de la correa de suspensión son fijas y no se pueden ajustar. NO intente ajustarlas.

COLOCACIÓN INVERSA (FIG. F)

NOTA: es posible que en algunos lugares de trabajo no se permita una colocación inversa - Consulte con el supervisor de seguridad de su lugar de trabajo antes de cambiar su casco de seguridad a este ajuste.

PASO 1: coloque su dedo índice debajo del anclaje de la correa y su pulgar sobre la ranura de anclaje 11. Empuje hacia arriba con el dedo índice empleando la fuerza suficiente para liberar el anclaje de la ranura. Haga esto con todas las ranuras de anclaje (son 4 en total). **NOTA: NO jale de las correas de la suspensión para liberar el anclaje. Esto podría dañar permanentemente las correas, evitando que funcionen de forma prevista.**

PASO 2: realice cualquier ajuste de altura en la banda absorbente de sudor antes de la instalación.

PASO 3: empuje cada anclaje hacia abajo hasta que se escuche un clic y no se pueda empujar el anclaje más hacia abajo. Haga esto con todos los 4 anclajes. **NOTA: NO utilice herramientas afiladas que puedan dañar los anclajes, ni jale de las correas para asegurarlos.**

PASO 4: verifique que se haya instalado correctamente empujando hacia arriba las 4 bases de anclaje. Los anclajes deben permanecer correctamente colocados en sus ranuras. Si no lo están, repitan el PASO 3.

PASO 5: verifique que el casco se ajusta adecuadamente. Siga los pasos en la sección AJUSTES para asegurar un ajuste adecuado. Además, asegúrese de que los accesorios que planea usar se adapten y funcionen correctamente, a la vez que permiten que el casco de seguridad tipo cachucha tenga un desempeño óptimo.

BANDA ABSORBENTE DE SUDOR Y ALMOHADILLA SUPERIOR CÓMODA* (FIG. H)

Los cascos de seguridad tipo cachucha de Klein Tools cuentan con una banda absorbente de sudor avanzada y una almohadilla superior cómoda* diseñada para absorber el sudor. Son lavables a máquina bajo un ciclo de lavado normal. NO las lave con blanqueador ni con detergentes que lo contengan. Séquela a máquina solo a temperatura normal o baja.

La banda absorbente de sudor y la almohadilla superior cómoda* se pueden retirar y volver a colocar fácilmente en la suspensión:

- La almohadilla superior cómoda* se mantiene en su lugar mediante una sola almohadilla de velcro 25.
- La banda absorbente de sudor se mantiene en su lugar con cuatro ganchos de suspensión 26 y tres almohadillas de velcro 25, en el frente y a los lados. Para quitarla, simplemente desprenda todas las almohadillas de velcro y retire la banda absorbente de sudor de los ganchos de suspensión.

ORIFICIOS DE VENTILACIÓN (CLASE C SOLAMENTE)

Los cascos de seguridad tipo cachucha Clase C cuentan con orificios de ventilación y rejillas en ambos lados. Los orificios de ventilación se pueden ajustar simplemente deslizando las rejillas 7 hacia arriba o hacia abajo.

⚠ **Las orificios y las rejillas NO evitarán que vapores, líquidos o residuos de menor tamaño ingresen en el casco.**

LUZ FRONTAL KHH56220 (FIG. G)

El accesorio opcional KHH56220 es una luz frontal extraíble diseñada específicamente para los cascos de seguridad tipo cachucha de Klein con ranuras integradas para accesorios frontales y posteriores. Funciona como luz enfocada o luz de proyección, y cuenta con un imán para sujetarse a superficies magnéticas para su uso como luz de trabajo. Incluye tres baterías alcalinas AAA.

- | | |
|---------------------------------------|--|
| 19 Lengüeta de liberación | 22 Luces de proyección (50 lúmenes en total) |
| 20 Botón de modo, encendido y apagado | 23 Imán |
| 21 Luz enfocada (150 lúmenes) | 24 Soporte giratorio |

El KHH56220 puede sujetarse tanto en la parte frontal como en la parte posterior del casco a través de la ranura para accesorios de Klein Tools. También se puede inclinar hasta 45° mientras se sujeta a un casco de seguridad, y hasta 62° cuando se usa como luz de trabajo independiente.

Para instalar la luz frontal en el casco de seguridad tipo cachucha de Klein, alinee el soporte giratorio 24 con la ranura para accesorios de Klein Tools 6 del casco y empuje hacia abajo hasta que se escuche un clic y la luz frontal esté firmemente en su lugar.

Para retirar la luz frontal, presione hacia abajo la lengüeta de liberación 19, y levante la luz frontal de la ranura para accesorios.

ADHESIVOS REFLECTANTES* (FIG. C)

Los cascos de seguridad tipo cachucha de Klein Tools incluyen cuatro adhesivos reflectantes opcionales*. Para un óptimo rendimiento, fíjelos solo en las áreas designadas 15. NO coloque los adhesivos en áreas que impidan la funcionalidad de los accesorios o del casco como tal.

MANTENIMIENTO

LIMPIEZA Y ALMACENAMIENTO DEL CASCO

- Limpie el casco de seguridad y la suspensión únicamente con agua y jabón suave. Enjuague y seque con un paño. Almacene en un lugar fresco.
- Consulte la sección BANDA ABSORBENTE DE SUDOR Y ALMOHADILLA SUPERIOR CÓMODA de las instrucciones de funcionamiento (en el reverso) para obtener información adicional sobre el mantenimiento.

INSPECCIÓN Y REEMPLAZO

Inspeccione el casco de seguridad, incluyendo la suspensión y el casquete, antes y después de cada uso:

- Revise el casquete del casco de seguridad para detectar grietas, roturas, decoloración, apariencia blanquecina o cualquier otro daño, desgaste excesivo o condición inusual. Estas condiciones pueden indicar una reducción en la resistencia al impacto o la penetración, y el casco debe reemplazarse INMEDIATAMENTE.
- Se debe verificar la suspensión para detectar grietas, roturas, costuras dañadas o cualquier otro daño, desgaste excesivo o condición inusual. Si se presenta alguna de estas condiciones, la suspensión debe reemplazarse INMEDIATAMENTE.
- Utilice siempre piezas de repuesto originales de Klein Tools. Este producto funciona como un sistema, por lo que el uso de suspensiones no autorizadas puede reducir la protección provista por este casco de seguridad.

GARANTÍA

www.kleintools.com/warranty

ACCESORIOS Y PIEZAS DE REPUESTO

Los accesorios y piezas de repuesto para cascos de seguridad tipo cachucha de Klein Tools están disponibles en línea o con los principales distribuidores:

- KHHSPN: Suspensión de repuesto (todos los modelos)
- KHHSPNR: Suspensión de repuesto (60107R solamente)
- KHH56220: Banda absorbente de sudor (paquete de 3 unidades)
- KHH56220: Banda absorbente de sudor (paquete de 3 unidades)
- KHHSTRP: Correa de barbilla
- KHH56220: Luz frontal (alcalina)
- 56034: Luz frontal recargable (iones de litio)

NOTA: KLEIN TOOLS NO PUEDE GARANTIZAR QUE LOS ACCESORIOS DE TERCEROS FUNCIONEN O SE ADAPTEN DE MANERA ÓPTIMA A LOS CASCOS DE SEGURIDAD DE KLEIN TOOLS.

ELIMINACIÓN/RECICLAJE



No arroje el casco de seguridad tipo cachucha ni sus accesorios a la basura. Los elementos se deben desechar correctamente de acuerdo con las regulaciones locales. Consulte www.epa.gov para obtener más información.

SERVICIO AL CLIENTE

KLEIN TOOLS, INC.

450 Bond Street, Lincolnshire, IL 60069 1-877-775-5346
customerservice@kleintools.com www.kleintools.com

*No incluida con el modelo 60107R.

CARACTÉRISTIQUES GÉNÉRALES

- **Normes** : Les casques de chantier et les coiffes de Klein Tools sont conformes aux normes ANSI/ISEA Z89.1.2014 et CSA Z94.1.2015 pour les casques de type I.
 - Les casques de chantier non aérés de classe E offrent une protection limitée contre les chocs électriques.
 - Les casques de chantier aérés de classe C n'offrent aucune protection contre les chocs électriques.
- **Convient à** : Têtes de tailles 6 1/2 à 8 (52 à 64 cm [20 1/2 à 25 po])

SYMBOLES SUR LE PRODUIT (FIG. A)

- 1 Symbole de port devant-derrrière
- 2 Renseignements sur la conformité aux normes, la classe, le type et les tailles de tête
- 3 Code de recyclage et type de matériau
- 4 Date de fabrication

ÉTIQUETTE D'AVERTISSEMENT (FIG. B)

Deux étiquettes d'avertissement sont fixées à l'intérieur de ce casque de chantier. Veuillez lire, comprendre et suivre ces instructions afin de garantir une utilisation sécuritaire du casque. **NE RETIREZ PAS CES ÉTIQUETTES.**

⚠ AVERTISSEMENTS

VEUILLEZ LIRE TOUTES LES INSTRUCTIONS. LE NON-RESPECT DES INSTRUCTIONS ET DES AVERTISSEMENTS DE CE MANUEL RISQUE D'entraîner DES BLESSURES CORPORELLES GRAVES OU LA MORT.

- Ce casque offre une protection limitée de la tête contre les petits objets tombant sur le casque, comme des petits outils, des écrous ou des boulons. Un casque de type II DOIT être utilisé pour la protection contre les coups avant, latéraux ou arrière.
- **N'EXPOSEZ PAS** la coiffe et le rembourrage à une flamme nue.
- **AVERTISSEMENT DE CHOC ÉLECTRIQUES** : Évitez les endroits présentant des risques de chocs électriques. Les modèles non aérés répondent aux exigences de la classe E et offrent une protection limitée contre les chocs électriques. Les modèles aérés de classe C n'offrent **AUCUNE** protection contre les chocs électriques.
- Si le casque de chantier a subi un choc, jetez-le IMMÉDIATEMENT, même si aucun dommage n'est visible.
- **NE MODIFIEZ JAMAIS** ce casque, ne le percez pas et ne gravez rien sur la coquille ou la coiffe.
- **N'UTILISEZ PAS** de peintures, de solvants, de produits chimiques, d'adhésifs, d'essence ou de substances semblables sur ce casque de chantier; vous risqueriez de réduire la protection contre les chocs et la pénétration.
- **N'UTILISEZ PAS** ce casque de chantier en guise de protection à bord d'un véhicule ou pour pratiquer un sport.
- **N'INSÉREZ PAS** d'objets entre la coiffe et la coquille, ce qui nuirait au fonctionnement du casque de chantier et réduirait la protection contre les chocs et la pénétration.
- L'exposition du casque à la lumière directe du soleil, à des environnements corrosifs et à des chaleurs extrêmes de plus de 49 °C (120 °F) peut réduire sa résistance aux chocs et à la pénétration.

DURÉE DE VIE UTILE

COIFFE : Doit être remplacée après un maximum de 12 mois d'utilisation.

CASQUE ENTIER : Le casque en entier doit être remplacé après un maximum de 2 ans d'utilisation régulière, ou de 5 ans après sa date de fabrication, le premier des deux prévalant.

Ces directives indiquent les durées de vie utile MAXIMALES. Vous DEVEZ également réaliser une inspection régulière du produit, conformément aux instructions de la section ENTRETIEN, qui pourrait mener à un remplacement précoce du produit.

REMARQUE : Ces délais pour le remplacement tiennent compte d'une utilisation et d'un entreposage normaux. Si le casque est exposé à des températures extrêmes, à un ensoleillement constant ou à des produits chimiques, un remplacement précoce pourrait être nécessaire.

CARACTÉRISTIQUES DÉTAILLÉES (FIG. C)

- 5 Fentes universelles pour accessoires
- 6 Fentes pour accessoires Klein Tools
- 7 Fentes d'aération munies d'un obturateur (classe C uniquement)
- 8 Ajustement du pivot
- 9 Bouton d'ajustement de la taille
- 10 Coussinet cervical arrière
- 11 Fentes d'ancrage des sangles de coiffe
- 12 Bandeau antisudation lavable
- 13 Coussinet de confort lavable*
- 14 Sangles de coiffe
- 15 Emplacement des autocollants réfléchissants
- 16 Support de coiffe
- 17 Ancrage du support
- 18 Fentes pour l'ancrage du support

ESSAYAGE (FIG. D)

Tous les casques de chantier sont équipés d'une coiffe préinstallée réglée en usine. La coiffe peut être ajustée à votre tête pour offrir une protection optimale. Suivez les étapes suivantes :

ÉTAPE 1 : Tournez le bouton d'ajustement de la taille ⑨ en sens antihoraire pour desserrer la coiffe. Placez le coussin cervical à l'arrière de votre tête, plus près du cou. Le cas échéant, placez votre nœud de foulard ou votre queue de cheval par-dessus le coussin cervical arrière ⑩.

ÉTAPE 2 : Resserez la coiffe en tournant le bouton d'ajustement de la taille ⑨ en sens horaire jusqu'à ce que le casque de chantier tienne fermement et confortablement. Bougez votre tête doucement, de haut en bas et de gauche à droite, comme vous le feriez normalement, pour vous assurer que le casque reste bien en place. Assurez-vous que le casque est bien droit par rapport à votre tête, c'est-à-dire qu'il n'est pas penché vers l'avant ni vers l'arrière.

AJUSTEMENTS (FIG. E)

Si les réglages en usine du casque de chantier ne conviennent pas, vous pouvez les ajuster :

ÉTAPE 1 : Dégagez la coiffe en tournant le support de coiffe ⑯ sur environ 90 degrés de façon à dégager l'ancrage du support ⑰ de la fente où il se trouve.

ÉTAPE 2 : Déterminez la nouvelle fente à utiliser ⑱. En optant pour une fente se trouvant plus près du fond du casque, la coiffe remonte, et ainsi de suite. Insérez l'ancrage de support ⑰ et tournez le support ⑯ sur environ 90 degrés de façon à le fixer en place. Effectuez toujours les mêmes réglages sur la droite et la gauche du casque pour éviter que la coiffe penche sur un côté.

ÉTAPE 3 : Assurez-vous que le casque est bien ajusté. Suivez les étapes décrites à la section ESSAYAGE pour vous assurer que l'ajustement est adéquat. Assurez-vous que les accessoires que vous comptez ajouter fonctionnent et s'ajustent adéquatement, et qu'ils ne nuisent pas au fonctionnement optimal du casque. Dans le doute, consultez un expert qualifié en matière de sécurité.

REMARQUE : La longueur des sangles de coiffe est fixe et ne peut être réglée. Ne tentez PAS de la modifier.

PORT DEVANT-DERRIÈRE (FIG. F)

REMARQUE : Le port devant-derrrière est interdit sur certains chantiers : consultez le superviseur de la sécurité de votre chantier avant de régler votre casque ainsi.

ÉTAPE 1 : Placez votre index sous l'ancrage des sangles, et votre pouce sur la fente d'ancrage ⑰. Poussez vers le haut avec votre index, suffisamment fort pour dégager l'ancrage de la fente. Faites de même avec toutes les fentes d'ancrage (4 en tout).

REMARQUE : Ne tirez PAS sur les sangles de coiffe pour libérer l'ancrage. Vous pourriez endommager les sangles de façon permanente, ce qui nuirait à leur fonctionnement normal.

ÉTAPE 2 : Avant d'installer la coiffe, ajustez la hauteur du bandeau antisudation.

ÉTAPE 3 : Enfoncez un ancrage dans sa fente jusqu'à ce que vous entendiez un clic et à ne pouvez plus l'enfoncer davantage. Faites de même avec les 4 ancrages. **REMARQUE** : N'utilisez PAS d'outils pointus qui risqueraient d'endommager les ancrages, et évitez de tirer sur les sangles pour fixer les ancrages.

ÉTAPE 4 : Assurez-vous que la coiffe est bien installée en poussant sur la base des 4 ancrages. Les ancrages doivent rester bien enfoncés dans leur fente. Dans le cas contraire, refaites l'ÉTAPE 3.

ÉTAPE 5 : Assurez-vous que le casque est bien ajusté. Suivez les étapes décrites à la section ESSAYAGE pour vous assurer que l'ajustement est adéquat. Assurez-vous également que les accessoires que vous comptez ajouter s'ajustent et fonctionnent adéquatement, et qu'ils ne nuisent pas au fonctionnement optimal du casque.

BANDEAU ANTISUDATION ET COUSSINET DE CONFORT LAVABLE* (FIG. H)

Les casques de chantier de Klein Tools sont munis d'un bandeau antisudation et d'un coussinet de confort* conçus pour absorber la sueur. Ceux-ci sont lavables à la machine à cycle normal. Ne les lavez PAS avec de l'eau de javel ou un détergent contenant du javellisant. Séchez à la machine en utilisant uniquement un réglage normal ou à basse température.

Le bandeau antisudation et le coussinet de confort* peuvent être retirés et réinstallés facilement sur la coiffe :

- Le coussinet de confort* est maintenu en place par un seul coussinet autoagrippant ⑳.
- Le bandeau antisudation est maintenu en place par quatre crochets ㉑ et trois coussinets autoagrippants ㉒, situés sur les côtés et à l'avant du bandeau. Pour retirer le bandeau antisudation, détachez simplement les coussinets autoagrippants et glissez le bandeau hors des crochets.

FENTES D'AÉRATION (CLASSE C UNIQUEMENT)

Les casques de chantier de classe C de Klein Tools sont pourvus de fentes d'aérations munies d'un obturateur sur les deux côtés. L'obturateur peut être réglé simplement en glissant l'onglet ㉓ vers le haut ou le bas.

⚠ L'obturateur n'empêche PAS les vapeurs, les liquides et les débris plus fins que les fentes d'aération de pénétrer le casque.

LAMPE FRONTALE KHH56220 (FIG. G)

La lampe frontale amovible KHH56220 (optionnelle) a été spécialement conçue pour les casques de chantier Klein munis de fentes intégrées avant et arrière pour les accessoires. Elle projette un faisceau lumineux concentré ou un éclairage général et est munie d'aimants qui permettent de la fixer aux surfaces magnétiques pour la transformer en lampe de travail. Trois piles alcalines AAA sont comprises.

- 19 Languette de dégagement
- 20 Bouton marche/arrêt/mode
- 21 Éclairage à faisceau concentré (150 lumens)
- 22 Éclairage général (total de 50 lumens)
- 23 Aimant
- 24 Fixation pivotante

La lampe frontale KHH56220 peut être fixée à l'avant ou à l'arrière du casque grâce à la fente pour accessoires de Klein Tools. Elle peut aussi être inclinée jusqu'à 45° lorsqu'elle est fixée à un casque de chantier et jusqu'à 62° lorsqu'elle est utilisée seule comme lampe de travail.

Pour installer la lampe frontale sur un casque de chantier Klein, alignez la fixation pivotante ㉔ avec la fente pour accessoires de Klein Tools ⑥ située sur le casque et poussez jusqu'à ce qu'un « clic » se fasse entendre.

Pour retirer la lampe frontale, poussez sur la languette de dégagement ⑲, puis dégagez la lampe frontale de la fente pour accessoires.

AUTOCOLLANTS RÉFLÉCHISSANTS* (FIG. C)

Les casques de chantier de Klein Tools sont offerts avec quatre autocollants réfléchissants optionnels*. Pour une utilisation optimale, apposez-les sur les zones désignées seulement ⑮. N'apposez PAS les autocollants sur des zones qui pourraient nuire au fonctionnement des accessoires ou du casque de chantier.

ENTRETIEN

NETTOYAGE ET ENTREPOSAGE DU CASQUE DE CHANTIER

Nettoyez uniquement le casque de chantier et la coiffe avec de l'eau et un savon doux. Rincez-le et essuyez-le. Entreposez-le dans un endroit frais.

Consultez la section BANDEAU ANTISUDATION ET COUSSINET DE CONFORT des instructions d'utilisation (au verso) pour en savoir plus sur l'entretien.

INSPECTION ET REMPLACEMENT

Inspectez le casque de chantier, y compris sa coiffe et sa coquille, avant et après chaque utilisation :

- Examinez la coquille pour y déceler des signes de fissures, de ruptures, de décoloration ou d'apparence crayeuse et tout autre signe de dommage, d'usure excessive ou d'état inhabituel. Un casque présentant de tels signes est potentiellement moins résistant aux chocs ou à la pénétration et doit être remplacé IMMÉDIATEMENT.
- La coiffe doit être examinée pour y déceler des signes de fissures, de ruptures ou de coutures endommagées et tout autre signe de dommage, d'usure excessive ou d'état inhabituel. Si de tels signes sont présents, la coiffe doit être remplacée IMMÉDIATEMENT.
- Utilisez toujours des pièces de rechange Klein Tools authentiques. Ce produit fonctionne comme un tout : l'utilisation d'une coiffe non autorisée risque de réduire la protection offerte par le casque.

GARANTIE

www.kleintools.com/warranty

ACCESSOIRES ET PIÈCES DE RECHANGE

Des accessoires et des pièces de rechange de casques de chantier sont offerts en ligne et auprès des principaux distributeurs :

- KHHSPN : Coiffe de rechange (tous les modèles)
- KHHSPNR : Coiffe de rechange (modèle 60107R uniquement)
- KHHSWTBND : Bandeaux antisudation (pqt de 3)
- KHHSTAPP : Coussinet de confort (pqt de 3)
- KHHSTRP : Mentonnière
- KHH56220 : Lampe frontale (piles alcalines)
- 56034 : Lampe frontale rechargeable (lithium-ion)

REMARQUE : KLEIN TOOLS NE PEUT GARANTIR LE FONCTIONNEMENT ET LA COMPATIBILITÉ DES ACCESSOIRES DE TIERS UTILISÉS AVEC SES CASQUES DE CHANTIER.

MISE AU REBUT/RECYCLAGE



Ne mettez pas le casque de chantier et ses accessoires au rebut. Ces articles doivent être éliminés conformément aux règlements locaux. Pour de plus amples renseignements, consultez le site www.epa.gov.

SERVICE À LA CLIENTÈLE

KLEIN TOOLS, INC.

450 Bond Street, Lincolnshire, IL 60069 1 877 775-5346
customerservice@kleintools.com www.kleintools.com

* Non compris avec le modèle 60107R.