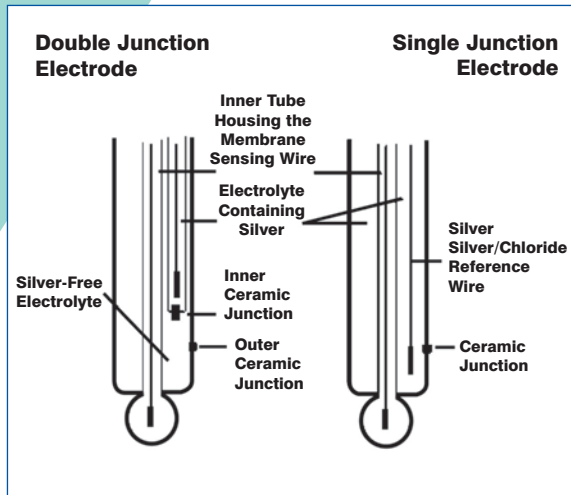


pH Electrode basics

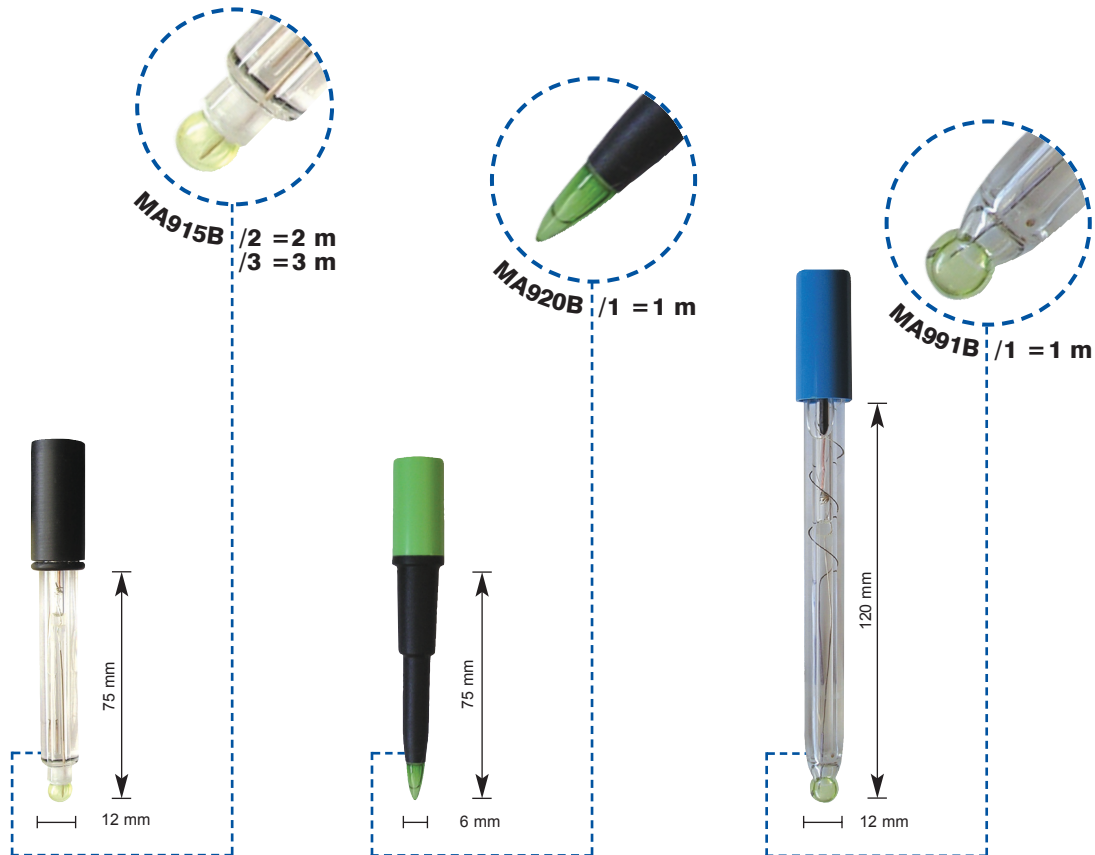
CE



This junction can become clogged by particulates in the solution and can also facilitate poisoning by metal ions present in the solution. If a clogged junction is suspected it is best to soak the electrode in tap water to dissolve the material and clear the junction. When not in use it is best to store the electrode in either buffer 4.0 or buffer 7.0. Never store an electrode in distilled or deionized water as this will cause migration of the electrolyte solution from the electrode.

How long a pH electrode will last will depend on how it is cared for and the solutions it is used to measure. Typically, a gel-filled combination pH electrode will last six months to 1 year depending on the care and application.

How long an electrode will last is determined by how well the probe is maintained and the pH application. The harsher the system, the shorter the lifespan. For this reason it is always a good idea to have a back-up electrode on hand to avoid any system down time. Calibration is also an important part of electrode maintenance. This assures not only that the electrode is behaving properly but that the system is operating correctly.



Model	MA915B/2 - MA915B/3	MA920B/1	MA991B/1
Measuring Range	0 to 13 pH	0 to 12 pH	0 to 13 pH
Temperature Range	-5 to 95°C	0 to 50°C (32 to 122°F)	-5 to 100°C (23 to 212°F)
Shaft Material	glass	PVDF	glass
Reference Electrolyte	polymer	Viscolene	KCl 3.5M
Reference Junction	ground glass	open	ceramic, single
Reference Type	double, ground glass	single, Ag/AgCl	single, Ag/AgCl
Shape of membrane	spheric	conic	spheric
Max pressure	3 bar	0.1 bar	0.1 bar
Connector Type	BNC	BNC	BNC
Cable length	2 or 3 m	coaxial, 1 m	coaxial, 1 m
Shaft length	75 mm	75 mm	più di 120 mm
Diameter	12 mm	6 mm	12 mm
Application	industrial applications	laboratory applications	laboratory applications