

MFH-WS9 Workstand for MicroFine Handpieces User Guide



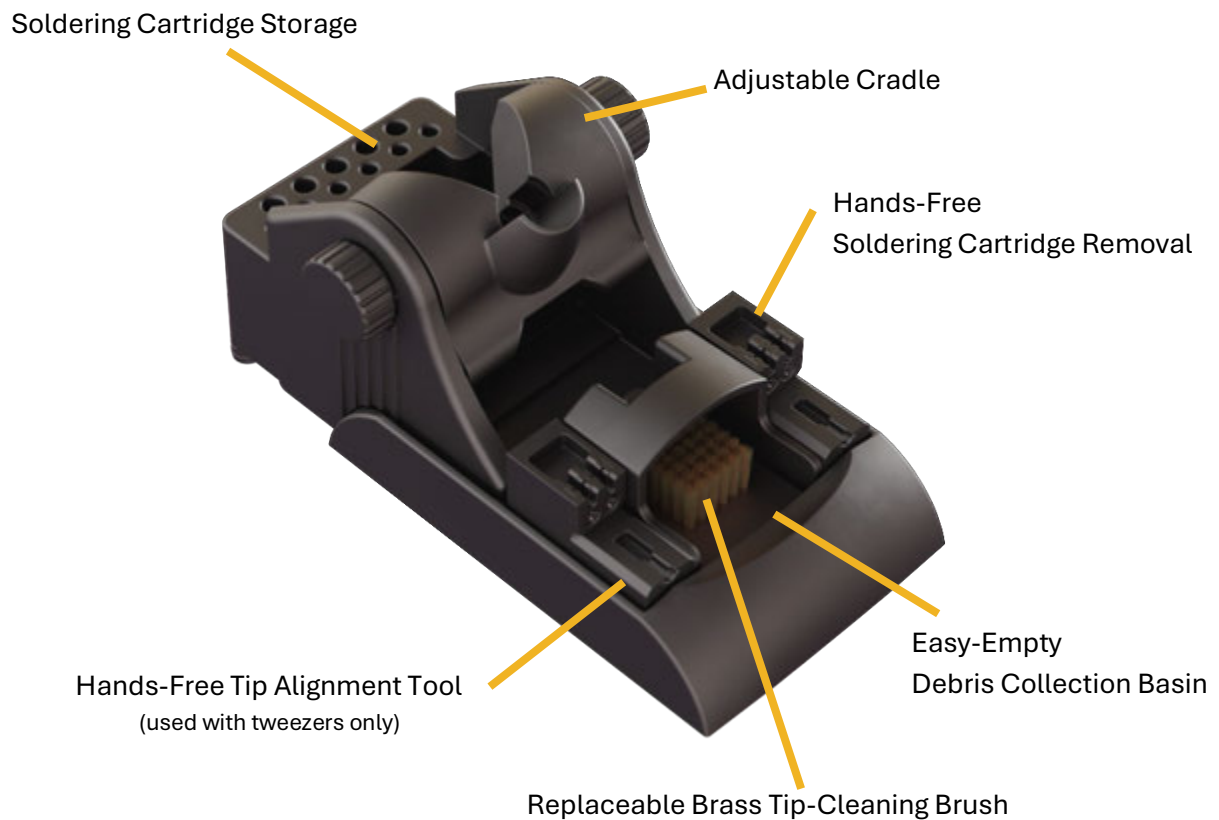
MFH-WS9

Workstand for MicroFine Handpieces

Welcome!

The MFH-WS9 Workstand is a soldering handpiece holder and multifunction tool, compatible with Metcal MX-H9-MFH and CV-H9-MFH MicroFine Handpieces and cartridges.

Features



Assembly

Upon unboxing, insert the brass brush and holder into the workstand base as shown.



Adjustable-Angle Cradle

The angle of the cradle for the tweezer handpiece can easily be adjusted.

Loosen the cradle adjustment knobs on both sides of the workstand until you are able to move the cradle. Adjust the cradle to the desired angle and retighten the knobs.



Angles are approximate and for illustration purposes only.

Hands-Free Tip Removal Tool

Line up the cartridge rings with the notches in the tip removal tool. Gently press downward to insert the cartridge into the tool.



Carefully pull the handpiece backward, leaving the cartridge safely in the removal tool. You may need to steady the workstand with your other hand as you pull.



Brush Replacement

To replace the brass tip-cleaning brush, remove the brush and holder from the workstand base.



Pull up on the peg in the back of the holder and slide out the brush tray.



NOTE: Do not unscrew the peg.

To install a new brush and tray, lift up on the peg and slide the new tray into the holder. Be sure to insert the replacement brush tray into the holder with the indent-side first.

Release the peg. Ensure the tray is being securely held in place by the peg.

Return the brush and tray holder to the workstand base.

Metcal Replacement Brush Part Number: AC-BBP



indent

Easy-Empty Debris Collection Basin

As you use the brass solder tip cleaning brush, solder debris will be cast off your tip and collect around the base of the brush. Metcal has designed the MFH-WS9 to make it easy to contain, collect, and dispose of this potential mess.

The design of the MFH-WS9 incorporates a Debris Collection Basin that surrounds the cleaning brush. As solder and other particles are removed by the brush, they collect in the contained area around it.

When the operator wants to clear away the debris, all they need to do is lift the brush holder out of the workstand base and dump the contents into the appropriate collection bin.

The front of the brush tray does not have a lip, making it simple to pour out the accumulated waste.



Handpieces, Kits, and Replacement Parts

PART NUMBER	DESCRIPTION
MFH-WS9	Workstand for MicroFine Handpieces
MX-H9-MFH	MX MicroFine Soldering Handpiece
CV-H9-MFH	CV MicroFine Soldering Handpiece
MX-UK9	MX-H9-MFH MicroFine Handpiece for MX & MFH-WS9 Workstand
CV-UK9	CV-H9-MFH MicroFine Handpiece for CV & MFH-WS9 Workstand
AC-BBP	Brass Brush Replacement Pad for MicroFine Workstands