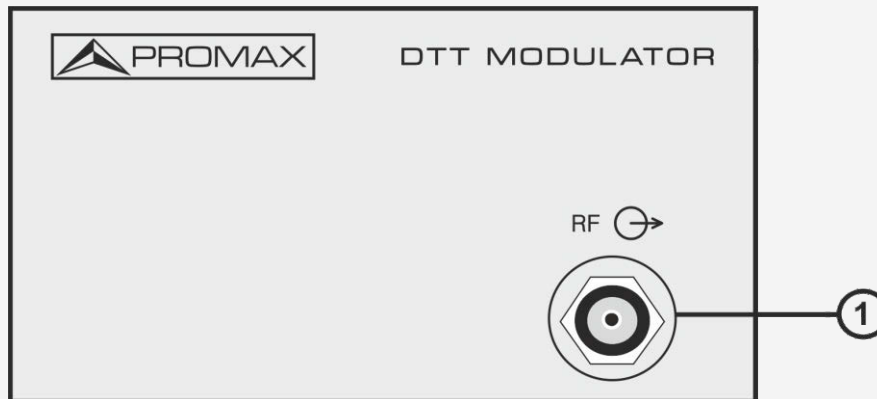


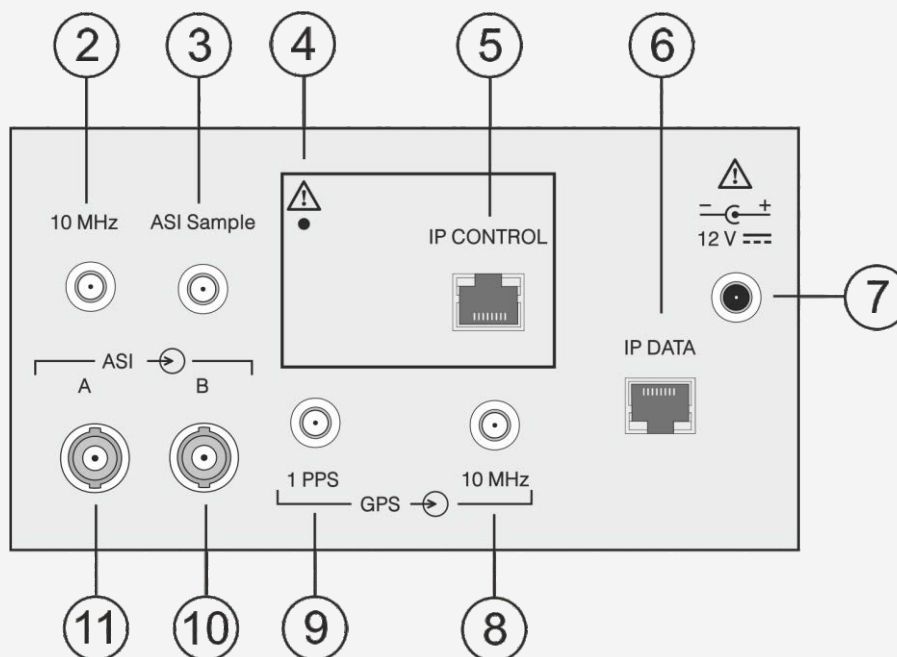
Test Equipment Depot - 800.517.8431 - 99 Washington Street Melrose, MA 02176 - TestEquipmentDepot.com

FRONT VIEW



- ① **RF output**, 50 Ω , female N-type connector

REAR VIEW



- ② **10 MHz reference output**, female SMA
- ③ **ASI Sample output**, female SMA
- ④ **Reset IP button**
If keeping pressed for 10 or more seconds it changes the current IP address to the **default IP address: 192.168.42.30**
- ⑤ **IP CONTROL**, input for web control software, 100 Mbps ethernet, RJ45 connector
- ⑥ **IP DATA**, input for MPEG2 TS over IP, 1 Gigabit ethernet RJ45 connector
- ⑦ **AC voltage connector**
Supplies power to the equipment
- ⑧ **10 MHz GPS input**, 50 Ω or high impedance, female SMA
- ⑨ **1PPS GPS input**, 50 Ω or high impedance, female SMA
- ⑩ **ASI B input**, 75 Ω , female BNC DVB-ASI input number 2
- ⑪ **ASI A input**, 75 Ω , female BNC DVB-ASI input number 1