

# MR9000

## PRINTER UNIT



Test Equipment  
Depot  
1-800-517-8431

99 Washington Street  
Melrose, MA 02176  
Phone 781-665-1400  
Toll Free 1-800-517-8431

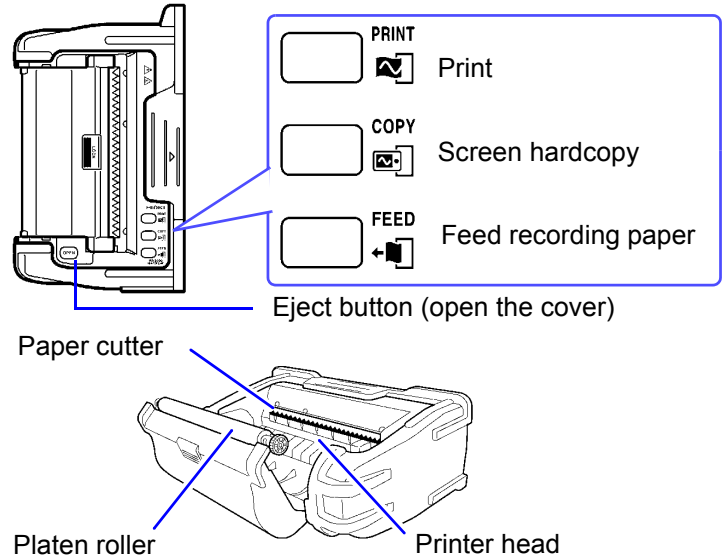
Visit us at [www.TestEquipmentDepot.com](http://www.TestEquipmentDepot.com)

### Instruction Manual

#### CAUTION

- Do not directly touch the printer head because there is the risk of it being damaged by static electricity.
- To prevent a malfunction of the instrument, turn off the power when connecting the instrument and printer unit.

## Names and Functions of Parts



## Overview


This printer can be used with the HIOKI MR8880-20 Memory-HiCorder. Measurement results can be printed out easily by connecting the printer to the Memory HiCorder. Please refer to the manuals of the respective connecting devices for installation instructions.

## Safety Information

This manual contains information and warnings essential for safe operation of the device and for maintaining it in safe operating condition. Before using it, be sure to carefully read the following safety precautions.

### Safety Symbols



In the manual, the  symbol indicates particularly important information that the user should read before using the device.



Indicates a burn hazard if touched directly.

The following symbols in this manual indicate the relative importance of cautions and warnings.

#### WARNING

Indicates that incorrect operation presents a significant hazard that could result in serious injury or death to the user.

#### CAUTION

Indicates that incorrect operation presents a possibility of injury to the user or damage to the device.

#### NOTE

Indicates advisory items related to performance or correct operation of the device.

## Usage Notes

#### WARNING

- The printer head and metal parts nearby become very hot. Be careful not to touch them because doing so may result in a burn.

#### WARNING

- Be careful not to cut a finger with the paper cutter.

## Specifications

Usable recording paper	9234 Recording Paper
Recording width	
Whole recording width	104 mm (832-dot)
Waveform section	100 mm f.s. (1div = 10 mm, f.s. = 10div)
Recording speed	1 cm/s max.
Paper feed accuracy	±3% (25°C, 60% RH)
Accessories	Instruction Manual, 9234 Recording Paper 1roll, Rod

## Inspection and Maintenance

### Initial Inspection

When you receive the device, inspect it carefully to ensure that no damage occurred during shipping. If damage is evident, or if it fails to operate according to the specifications, contact your dealer or Hioki representative.

### Preliminary Checks

Before using the device for the first time, verify that it operates normally to ensure that no damage occurred during storage or shipping. If you find any damage, contact your dealer or Hioki representative.

### Maintenance and Service

- To ensure safe handling, when transporting the device please use the original box and packing materials. Damages incurred during transporting are not guaranteed. We do not take any responsibility for damage incurred during shipping.
- To clean the device, wipe it gently with a soft cloth moistened with water or mild detergent. Never use solvents such as benzene, alcohol, acetone, ether, ketones, thinners or gasoline, as they can deform and discolor the case.
- If the device seems to be malfunctioning, contact your dealer or Hioki representative.