

**GENERAL®**

# Stud / Voltage / Metal Detector

**Ideal for building contractors, carpenters, plumbers, HVAC/R specialists, home inspectors, electricians, realtors, home owners and interior decorators**

**Features:**

- Detects wood joists/studs, live wires, cables and pipes behind walls
- Automatically compensates for wall thickness
- Automatically compensates for distance to wire
- Center arrow and beeper pinpoint edges
- Visual and audible indications
- Marking slot on top of unit
- "9V" battery included
- CE approved

**Specifications:**

**Maximum Wall Thickness for Wood Detection:** 3/4 in. (19mm)

**Maximum Detection Range for Iron or Copper Pipe:** 1.5 in. (38mm)

**Maximum Detection Range for AC Voltage:** 2 in. (50mm)

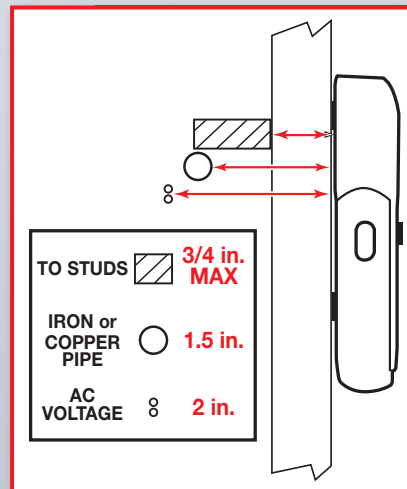
**Operating Temperature:**  
40° to 104°F (5° to 40°C)

**Dimensions:** 7.1 x 3.0 x 1.2 in.  
(180 x 75 x 30mm)

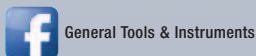
**Weight:** 7.3 oz. (207g)

**Power Source:** (1) "9V" Alkaline battery

**Battery Life:** 1 year normal use

**Maximum Detection Ranges****No. MSV100****Locate studs****Check for live wiring****Locate metal such as a water standpipe or conduit**

**1 Yr. Limited Warranty**  
An Garantie limitée  
Año Garantía limitada

**GENERAL®**

**Test Equipment Depot**  
1-800-517-8431

99 Washington Street  
Melrose, MA 02176  
Phone 781-665-1400  
Toll Free 1-800-517-8431

Visit us at [www.TestEquipmentDepot.com](http://www.TestEquipmentDepot.com)