



5 Commonwealth Ave
Woburn, MA 01801
Phone 781-665-1400
Toll Free 1-800-517-8431

Visit us at www.TestEquipmentDepot.com



Empowering you to work smarter

Vacuum Pump NP12DM User Manual



Failure to follow warnings could
result in death or serious injury.

**SAVE THIS MANUAL
FOR FUTURE REFERENCE**

MASTER SERIES

TABLE OF CONTENTS

INTRODUCTION AND TECHNICAL INFORMATION	01
DC INVERTER DRIVE VACUUM PUMPS	01
APPLICATION	01
SPECIAL FEATURES	01
PREPARATION PRIOR TO USING VACUUM PUMP	02
SAFETY WARNINGS	02
USE GUIDE	03
MAINTENANCE	04
REQUIREMENT FOR WARRANTY COVERAGE	04
TROUBLESHOOTING	05
EXPLODED VIEW	06
REPAIR PARTS LIST	07
DIMENSION	08

Industrial Grade Design

INTRODUCTION AND TECHNICAL INFORMATION

In order to make it easier to understand the components of the vacuum pump, please see the picture below.



DC INVERTER DRIVE VACUUM PUMPS

Model	NP12DM
Power Supply	115V/60Hz
Flow Rate (CFM)	12 CFM
Ultimate Vacuum	5 Micron
Motor Power (HP)	1/2
Oil Capacity (oz)	28
Dimensions (in)	16.3"x6"x12.1"
Weight (lbs)	32
Inlet Port	1/4", 3/8", 1/2" Flare

APPLICATION

NAVAC inverter drive dual-stage rotary vane vacuum pumps are used to remove air, moisture, and other non-condensables from sealed HVACR systems. The products can be used for evacuation of HVACR repair and new installations, with refrigerants including CFC, HFC, HCFC, such as R-12, R-22, R-410A, R-404A, R-32, R-134A, 1234yf, etc.

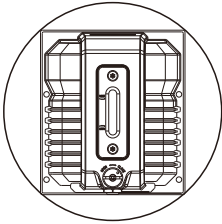
SPECIAL FEATURES

- Forced oil lubrication ensures vane sealing, cooling and high reliability.
- Large and easy to see oil-level window design help prevent oil supply shortage.
- Non-sparking design, suitable for R-32, 1234yf refrigerants.

PREPARATION PRIOR TO USING VACUUM PUMP

1. Verify the power supply being used, to match the voltage on the nameplate.
2. Ensure that the pump is switched off prior to connecting to the power source.
3. Check for proper oil level, or change if needed.
4. Remove the oil fill cap, filling oil to the level in between the two oil sight glass lines, as shown in the drawing below. For specific pump oil volume, please see the technical specification table.

Note: In order to prevent pump oil from spilling out, please add oil slowly.

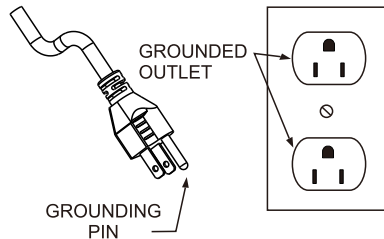


Switch on the power and the pump will begin to operate. After running for approximately one minute, check the oil level. If the oil level is too low, switch off the machine and add the required extra oil. Reinstall the oil fill cap.

Note: While the pump is operating, the oil level should be in between the two oil position lines. If the oil level is too low, it will reduce the performance and could damage the pump vanes. If the oil level is too high, it could cause oil to discharge through the pump exhaust.

GROUNDING INSTRUCTIONS

This product must be grounded. In the event of an electrical short circuit, grounding reduces the risk of electric shock by providing an escape wire for the electric current. This product is equipped with a cord having a grounding wire with an appropriate grounding plug. The plug must be plugged into an outlet that is properly installed and grounded in accordance with all local codes and ordinances.



WARNING – Improper installation of the grounding plug is able to result in a risk of electric shock. When repair or replacement of the cord or plug is required, do not connect the grounding wire to either flat blade terminal. The wire with insulation having an outer surface that is green with or without yellow stripes is the grounding wire.

Check with a qualified electrician or serviceman when the grounding instructions are not completely understood, or when in doubt as to whether the product is properly grounded. Do not modify the plug provided; if it does not fit the outlet, have the proper outlet installed by a qualified electrician.

SAFETY WARNINGS

WARNING: This machine should only be used for evacuation of refrigerant systems after refrigerant has been removed from the system and the system has been opened to atmosphere. This machine is not to be used as a transfer pump for liquids or any other media; doing so can damage the product. Note: In order to avoid personal injury, please carefully read and follow the instructions in this user manual and the user guide of the pump.

NAVAC VACUUM PUMPS ARE NOT ALLOWED TO BE USED FOR A3 OR FLAMMABLE REFRIGERANTS.

1. NEVER CONNECT A VACUUM PUMP TO A PRESSURIZED SYSTEM. Always check to make sure that system and piping pressure is NOT ABOVE ATMOSPHERIC PRESSURE.
2. When handling refrigerants, please wear an eye-protection such as safety glasses or goggles.
3. Avoid direct physical contact with refrigerants, you will get burned.
4. When connecting the power source, all equipments must be grounded in order to prevent electrical hazards.
5. When the pump is in operation, the enclosure surfaces will be hot. Do not touch the oil box or the motor case. Allow adequate ventilation space for heat dissipation.
6. When using R-32, 1234yf or other flammable refrigerants, use an explosion proof electrical outlet.
7. Keep pump dry and away from water, mud, and dirt at all times.
8. Operating pump with intake fittings open to the atmosphere must not exceed 3 minutes.
9. Ambient temperature range for pump use is 30 to 104 °F (-1°C~40°C). The pump can be used in lower ambient conditions, if warmed up inside first and run for no more than 1 minute to warm the oil prior to system evacuation.
10. The pump requires 115V±10% power, and the power outlet must be grounded.
11. Prior to connecting the vacuum pump to an A/C-R system, please use proper methods to remove refrigerant from a pressurized system. Note that pumping refrigerants under high-pressure conditions will damage the pump, and refrigerant must be removed using a recovery machine designed for that purpose.

USE GUIDE

1. When using the vacuum pump, remove the inlet protection cap from the desired (1/4", 3/8", or 1/2") connecting port, as shown in the diagram above, and connect the pump to the system or piping to be evacuated.

Use shortest hoses possible for faster and more thorough evacuation.

2. Inspect the hose inlet connection, as well as all connecting hoses for proper seal. There must be no leakage or it will be impossible to draw the required deep vacuum level.
3. At the beginning of the evacuation process, open the GAS BALLAST, and once the vacuum gauge reaches 2000 microns, retighten to achieve desired vacuum level.
4. After evacuation is completed, shut down the pump and close the system access valves.
5. Turn off the power switch on the pump and disconnect power.
6. Remove the evacuation hoses.
7. Close the air entry cap and the air exhaust cap tightly (with the exception of models without air exhaust cap), to prevent dirt or particulates from entering the pump.

Note:

1. Always evacuate systems in conjunction with a micron vacuum gauge, such as the NAVAC NMV1, if using the standard inverter drive pump. Micron vacuum gauges precisely measure and display system evacuation during the entire process, giving you a comprehensive view of the sealed system internal evacuation condition.
2. Please pay attention to any changes in the oil level during pump operation. If the oil level falls below the center line, immediately add more vacuum pump oil to avoid damage to the pump.
3. Vacuum pump and oil must be above 30° F.

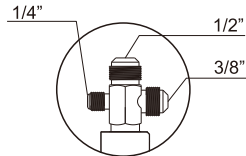
CAUTION-To reduce the risk of electric shock, do not expose to rain. Store indoors.

EXTENSION CORDS

If an extension cord must be used, be sure it is:

1. A 3-wire extension cord that has a 3-blade grounding plug, and a 3-slot receptacle that will accept the plug on the product
2. In good condition
3. No longer than 50' (15.2m)
4. .16 gauge (AWG) or larger. (Wire size increases as gauge number decreases. 14 AWG and 12AWG may also be used. **DO NOT USE 18 AWG**)

NOTICE: Risk of Property Damage. The use of an undersized extension cord will cause voltage to drop resulting in power loss to the motor and overheating.



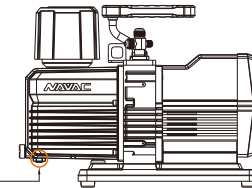
MAINTENANCE

1. Vacuum pump oil has three major functions: pump lubricant, pump cooling, and pump sealant. During the evacuation process, the pump oil will absorb moisture being pulled from the system, causing it to be less effective as a lubricant and pump vane seal, extending evacuation time and possibly allowing the pump to overheat. We recommend that the oil be changed just before evacuating each A/C-R system to insure the pump oil is in a clean condition as this is the key factor in determining if the pump can achieve the required vacuum levels. In order to maintain the optimum operation of the pump, we recommend that you use NAVAC vacuum pump oil. This oil is made using a unique process and can maintain proper viscosity during normal operation and temperatures, and it's also helpful for cold starts. Should the NAVAC oil not be available, reputable brands of special-purpose vacuum pump oil may be used.

Note: Should the pump oil become opaque, dirty, or full of moisture, promptly change oil. This will greatly speed up evacuation, especially when there is a lot of moisture in system piping from having been left open to the atmosphere for an extended period of time.

Oil change procedure:

1. To ensure that the pump and oil are warm, run pump for approximately one minute prior to changing oil. Do not run longer than this, as it may be possible to damage the pump.
2. While the pump is running, open one inlet port and allow oil to drain out of the pump. After turning off pump, open the oil drain plug, and drain used oil into an appropriate vessel and dispose of properly.
3. As oil stops draining, tip the pump to drain any remaining oil in the bottom of the pump.
4. Close oil drain valve.
5. Remove oil fill cap, pour in new oil until the oil is at the proper level in the sight glass (the same procedure prior to using the pump above).



REQUIREMENTS FOR WARRANTY COVERAGE

Product warranty is provided for product quality problems for two years from date of sale. For warranty to be valid, the following conditions must be met:

1. Products issues due to manufacturing defects confirmed by qualified agents.
2. Products which have not been maintained or dismantled by unauthorized parties.
3. Products that have been used in accordance with the User Manual. All maintenance services shall be performed during the warranty period.

Statement: Other than repairing the product defective, the manufacturer of this product will not be liable for any other costs, such as time spent in fixing the issue, refrigerant consumption, refrigerant disposal costs, as well as unauthorized transportation and labor costs.

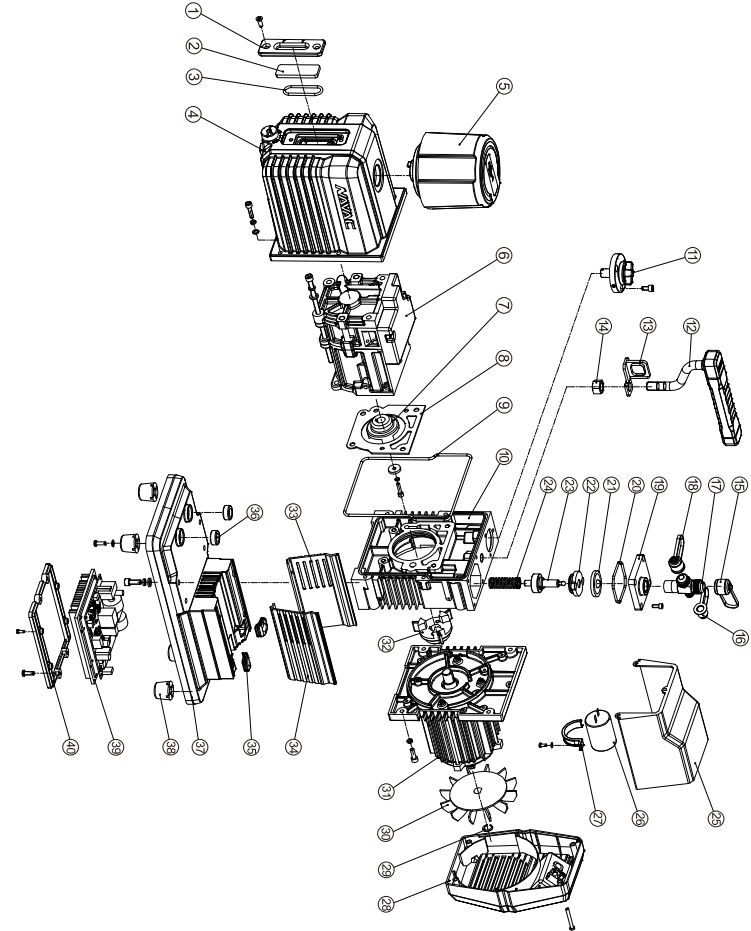
TROUBLESHOOTING

Malfunction	Possible Cause	Remedy
Low Vacuum	1. Secondary air inlet connection cap loose on the air inlet port.	Tighten the cap.
	2. Damaged rubber ring inside the secondary air inlet connection cap.	Replace the rubber ring.
	3. The volume of oil is insufficient.	Add oil to the center line of the oil display.
	4. Pump oil becomes opaque or absorbed too many impurities.	Replace with new oil.
	5. The pump's oil entry hole is clogged or the oil supply is insufficient.	Clean the oil entry hole, clean the oil filter.
	6. The pump connecting hoses, manifold or system has a leak.	Inspect the connecting hose gaskets and system, repair leaks.
	7. The pump selection is wrong.	Check the size of the container to be evacuated, recalculate and select an appropriate pump model.
	8. The pump has been used for too long, damage and wear to components caused increased gaps between parts.	Inspect and repair, or replace the pump.
Oil leak	1. Damaged oil seal.	Replace the oil seal.
	2. Loose or damaged oil box connections.	Tighten the connecting screws, replace O-rings.
Oil spray	1. Excessive oil volume.	Remove oil until the oil position line is reached.
	2. Inlet port pressure is excessively high for a long period.	Select an appropriate pump, increase the pumping speed.
Start-up problems	1. Oil temperature is too low.	Exposed the air entry hole to the external atmosphere, and remove the oil fume filtration device. Use a screwdriver to turn the engine axle in an anti-clockwise direction.
	2. Motor, power source or circuit board malfunctions.	Inspect and repair.
	3. Foreign objects entered the pump.	Inspect and remove.
	4. Voltage supply is excessively low or high.	Inspect the power source voltage.
	5. Overload trips.	After overload trip occurs, switch kept On. Remove the power plug, wait for approximately 30 seconds before inspecting and repairing.

Notes:

1. The pump is inverter driven and the motor has over-current / overload protection, please troubleshoot after overload resets.
2. If the above methods cannot resolve your problems, please contact your nearest distributor or take the pump to a repair center. We will do our best to provide you with a quick turnaround to keep you working.

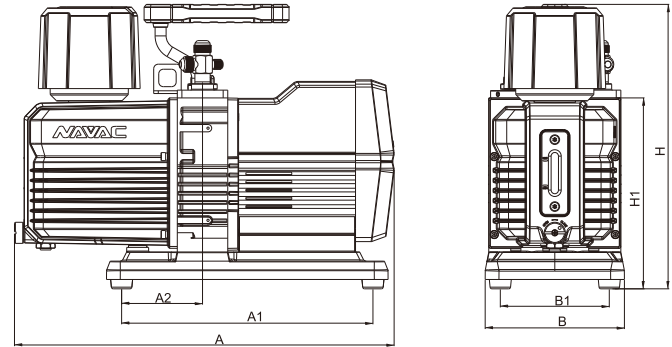
EXPLODED VIEW



REPAIR PARTS LIST

Ref No.	Part No.	Part Name
1	P012001	Oil Lens Cover
2	P012002	Oil Lens
3	P012003	O-ring of Oil Lens
4	P012004	Oil Housing
5	P012005	Exhaust Filter and Noise Reducer
6	P012006	Pump Body
7	P012007	Coupling
8	P012008	Gasket
9	P012009	O-ring of Oil Housing
10	P012010	Trestle
11	P012011	Gas Ballast Assy
12	P012012	Handle
13	P012013	Hook
14	P012014	Nut
15	P012015	1/2" Cap
16	P012016	1/4" Cap
17	P012017	Inlet Port
18	P012018	3/8" Cap
19	P012019	Base of Inlet Port
20	P012020	O-ring of Inlet Port
21	P012021	Anti suckback valve plate
22	P012022	Anti suckback valve cap
23	P012023	Anti suckback piston assy
24	P012024	Anti suckback spring
25	P012025	Top Cover
26	P012026	Capacitor
27	P012027	Capacitor hook
28	P012028	Rear Cover Assy
29	P012029	Elastic Collar
30	P012030	Fan
31	P012031	DC Motor Assy
32	P012032	Coupling
33	P012033	Guard Board I
34	P012034	Guard Board II
35	P012035	Sheath
36	P012036	Rubber Gasket
37	P012037	Base Plate
38	P012038	Rubber Feet
39	P012039	Controller Assy
40	P012040	Cover Plate

DIMENSION



Unit: inch

Model	A	A1	A2	B	B1	H	H1
NP12DM	16.3	10.8	3.5	6	4.7	12.1	8.2

NAVAC

Empowering you to work smarter

Pompe à vide NP12DM Manuel d'utilisation



Ne pas suivre ces mises en garde
peut entraîner la mort ou de graves blessures.

**CONSERVEZ CE MANUEL
POUR RÉFÉRENCE ULTÉRIEURE**

MASTER SERIES

SOMMAIRE

PRÉSENTATION ET INFORMATIONS TECHNIQUES.....	01
POMPES À VIDE À ONDULEUR CC	01
UTILISATION	01
CARACTÉRISTIQUES SPÉCIALES	01
PRÉPARATIONS AVANT D'UTILISER LA POMPE À VIDE	02
CONSIGNES DE SÉCURITÉ	02
MANUEL D'UTILISATION	03
ENTRETIEN.....	04
CONDITIONS REQUISES POUR BÉNÉFICIER DE LA GARANTIE	04
DÉPANNAGE	05
VUE ÉCLATÉE	06
LISTE DES PIÈCES DE RECHANGE	07
DIMENSIONS.....	08

Conception de qualité industrielle

PRÉSENTATION ET INFORMATIONS TECHNIQUES

Afin de faciliter la compréhension des composants de la pompe à vide, veuillez vous reporter à l'image ci-dessous.



POMPES À VIDE À ONDULEUR CC

Modèle	NP12DM
Alimentation électrique	115V/60Hz
Débit	12 CFM
Vide maximal	5 Micron
Puissance du moteur (CV)	1/2
Capacité du réservoir d'huile	28 onces (828 ml)
Dimensions (in)	16.3"x6"x12.1"
Poids	32 lbs (14.5 kg)
Port d'entrée	1/4", 3/8", 1/2" Flare

UTILISATION

Les pompes à vide à palettes rotatives à deux étages par onduleur NAVAC sont utilisées pour éliminer l'air, l'humidité et d'autres éléments non condensables des systèmes CVCR scellés. Les produits peuvent être utilisés pour l'évacuation des réparations et des nouvelles installations de CVCR, avec des produits frigorigènes dont CFC, HFC, HCFC et HCEF, tels que R-12, R-22, R-41 OA, R-404A, R-32, R-134A, 1234yf, etc.

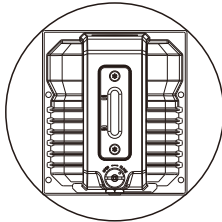
CARACTÉRISTIQUES SPÉCIALES

- Structure de vacuomètre/pompe à vide intégrée, de haute précision, pour un niveau de vide maximal profond.
- La lubrification forcée à l'huile garantit l'étanchéité, le refroidissement et une grande fiabilité des palettes.
- La grande fenêtre de contrôle de niveau d'huile permet d'éviter les pénuries d'huile.
- Conception anti-étincelles adaptée aux produits frigorigènes R-32, 1234yf.

PRÉPARATIONS AVANT D'UTILISER LA POMPE À VIDE

1. Vérifiez que l'alimentation électrique utilisée correspond à la tension indiquée sur la plaque signalétique.
2. Assurez-vous que la pompe est éteinte avant de la brancher à la source d'alimentation.
3. Vérifiez le niveau d'huile, ou changez l'huile si nécessaire.
4. Enlevez le bouchon de remplissage d'huile, remplir jusqu'à atteindre les deux lignes, comme indiqué sur le schéma ci-dessous. Pour connaître le volume d'huile spécifique de la pompe, veuillez consulter le tableau des spécifications techniques.

Remarque : Afin d'éviter que l'huile de la pompe ne déborde, ajoutez de l'huile lentement.



Mettez l'appareil sous tension et la pompe commencera à fonctionner. Après avoir fonctionné pendant environ une minute, vérifiez le niveau d'huile. Si le niveau d'huile est trop bas, éteignez la machine et ajoutez l'huile supplémentaire nécessaire. Remettez en place le bouchon du réservoir d'huile.

Remarque : Pendant le fonctionnement de la pompe, le niveau d'huile doit se trouver entre les deux lignes. Si le niveau d'huile est trop bas, cela réduira les performances et pourrait endommager les palettes de la pompe. Si le niveau d'huile est trop élevé, l'huile pourrait s'écouler par l'échappement de la pompe.

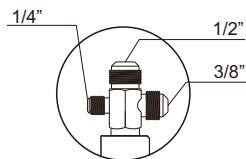
CONSIGNES DE SÉCURITÉ

Remarque : Afin d'éviter toute blessure corporelle, veuillez lire attentivement et suivre les instructions de ce manuel d'utilisation et le mode d'emploi de la pompe.

LES POMPES À VIDE NAVAC NE DOIVENT PAS ÊTRE UTILISÉES POUR LES PRODUITS FRIGORIGÈNES A3 OU INFLAMMABLES.

1. NE JAMAIS RACCORDER UNE POMPE À VIDE À UN SYSTÈME SOUS PRESSION. Assurez-vous toujours que la pression du système et de la tuyauterie N'EST PAS SUPÉRIEURE À LA PRESSION ATMOSPHÉRIQUE.
2. Lorsque vous manipulez des produits frigorigènes, veuillez porter des lunettes de protection, telles que des lunettes de sécurité.
3. Évitez le contact physique direct avec les produits frigorigènes, vous risqueriez de vous brûler.
4. Lors du branchement de la source d'alimentation, tous les équipements doivent être mis à la terre afin d'éviter les risques électriques.
5. Lorsque la pompe est en marche, sa surface sera chaude. Ne touchez pas le réservoir d'huile ou le carter du moteur. Laissez un espace de ventilation adéquat pour la dissipation de la chaleur.
6. Si vous utilisez du R-32, du 1234yf ou d'autres produits frigorigènes inflammables, utilisez une prise électrique antidéflagrante.
7. Gardez la pompe au sec et loin de l'eau, de la boue et de la saleté en tout temps.
8. Le fonctionnement de la pompe avec les raccords d'aspiration ouverts sur l'environnement ambiant ne doit pas dépasser 3 minutes.
9. La plage de température ambiante pour l'utilisation de la pompe est de 30 à 104°F (-1 °C~40 °C). La pompe peut être utilisée dans des températures ambiantes plus basses si elle est d'abord réchauffée à l'intérieur et qu'elle ne fonctionne pas plus d'une minute pour réchauffer l'huile avant l'évacuation du système.
10. La pompe nécessite une alimentation de 110V ±10 % et la prise de courant doit être mise à la terre.
11. Avant de raccorder la pompe à vide à un système de climatisation, veuillez utiliser les méthodes appropriées pour éliminer le produit frigorigène d'un système sous pression. Notez que le pompage de produits frigorigènes sous haute pression endommagera la pompe, et que le produit frigorigène doit être retiré à l'aide d'une machine de récupération conçue à cet effet.

MANUEL D'UTILISATION



1. Lorsque vous utilisez la pompe à vide, retirez le bouchon de protection du port de connexion souhaité (1/4", 3/8" ou 1/2"), comme indiqué sur le schéma ci-dessus, et raccordez la pompe au système ou à la tuyauterie devant être évacuée. Utilisez les tuyaux les plus courts possible pour une évacuation plus rapide et plus complète.

- Inspectez le raccord d'entrée du tuyau, ainsi que tous les tuyaux de raccordement pour vous assurer qu'ils sont bien étanches. Il ne doit y avoir aucune fuite ou il sera impossible d'atteindre le niveau de vide requis.
- Au début du processus d'évacuation, ouvrez le GAS BALLAST (lest d'air) et, lorsque le vacuomètre atteint 2000 microns, resserrez pour atteindre le niveau de vide souhaité.
- Une fois l'évacuation terminée, arrêtez la pompe et fermez les vannes d'accès au système.
- Mettez la pompe hors tension et coupez l'alimentation électrique.
- Retirez les tuyaux d'évacuation.
- Fermez bien le capuchon d'entrée d'air et le capuchon d'échappement d'air (à l'exception des modèles sans capuchon d'échappement d'air), afin d'empêcher la saleté ou les particules de pénétrer dans la pompe.

Remarque :

- Toujours évacuer les systèmes en conjonction avec un vacuomètre micrométrique, comme le NAVAC NMV1, si vous utilisez une pompe à onduleur standard. Les vacuomètres micrométriques mesurent et affichent avec précision l'évacuation du système pendant tout le processus, vous donnant ainsi une vue complète de l'état de l'évacuation interne du système scellé.
- Veillez prêter attention à tout changement du niveau d'huile pendant le fonctionnement de la pompe. Si le niveau d'huile descend en dessous de la ligne médiane, ajoutez immédiatement de l'huile afin d'éviter d'endommager la pompe.
- La pompe à vide et l'huile doivent avoir une température supérieure à 30°F.

ENTRETIEN

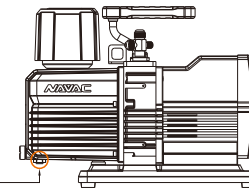
L'huile de pompe à vide remplit trois fonctions principales : lubrifiant de pompe, refroidissement de pompe et scellant de pompe. Pendant le processus d'évacuation, l'huile absorbera l'humidité extraite du système, ce qui la rendra moins efficace en tant que lubrifiant et joint d'étanchéité des palettes de la pompe, prolongeant le temps d'évacuation et permettant éventuellement à la pompe de surchauffer. Nous recommandons de changer l'huile juste avant l'évacuation de chaque système NC-R afin de s'assurer que l'huile de la pompe est propre, car c'est le facteur clé pour déterminer si la pompe peut atteindre les niveaux de vide requis. Afin de maintenir le fonctionnement optimal de la pompe, nous vous recommandons d'utiliser l'huile pour pompe à vide NAVAC. Cette huile est fabriquée selon un procédé unique et peut conserver une viscosité adéquate pendant le fonctionnement et sous des températures

normales. Elle est également bien adaptée au démarrage à froid. Si l'huile NAVAC n'est pas disponible, des marques réputées d'huile pour pompes à vide peuvent être utilisées.

Remarque : Si l'huile de la pompe devient opaque, sale ou humide, changez l'huile immédiatement. Cela accélérera considérablement l'évacuation, surtout lorsqu'il y a beaucoup d'humidité dans la tuyauterie du système, qui a été laissée ouverte sur l'environnement ambiant pour une période prolongée.

Procédure de changement d'huile :

- Pour vous assurer que la pompe et l'huile sont chaudes, faites fonctionner la pompe pendant environ une minute avant de changer l'huile. Ne pas faire fonctionner la pompe plus longtemps, cela pourrait l'endommager.
- Pendant que la pompe fonctionne, ouvrez un port d'entrée et laissez l'huile s'écouler de la pompe. Après avoir éteint la pompe, ouvrez le bouchon de vidange d'huile, vidangez l'huile usée dans un récipient approprié et la jeter suivant les règles locales.
- Lorsque l'huile cesse de s'écouler, inclinez la pompe pour vider toute l'huile restante dans le fond de la pompe.
- Remplacez et serrez le bouchon de vidange d'huile.
- Enlevez le bouchon du réservoir d'huile et versez de l'huile neuve jusqu'au niveau approprié (voir la même procédure avant d'utiliser la pompe ci-dessus).



L'huile s'écoule par ici

CONDITIONS REQUISES POUR BÉNÉFICIER DE LA GARANTIE

La garantie du produit couvre les problèmes de qualité du produit pendant deux ans à compter de la date d'achat. Pour que la garantie soit valide, les conditions suivantes doivent être remplies :

- Problèmes de produits dus à des défauts de fabrication confirmés par des représentants qualifiés.
- Produits qui n'ont pas été entretenus ou démontés par des tiers non autorisés.
- Produits utilisés conformément au manuel d'utilisation. Tous les services d'entretien doivent être effectués pendant la période de garantie.

Mention : Outre la réparation du produit défectueux, le fabricant de ce produit ne sera pas responsable des autres coûts, tels que le temps consacré à la résolution du problème, la consommation de produit frigorigène, les coûts d'élimination du produit frigorigène, ainsi que les coûts de transport et de main-d'œuvre non autorisés.

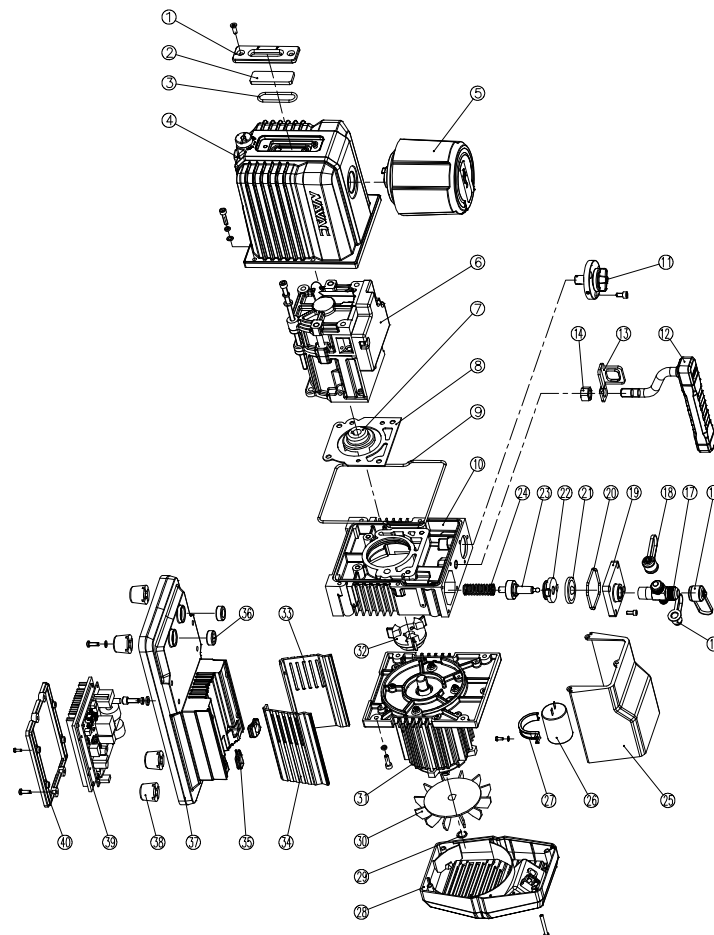
DÉPANNAGE

Dysfonctionnement	Causes possibles	Recours
Faible vide	1. Le capuchon de l'entrée d'air secondaire est desserré sur le port d'entrée d'air.	Serrez le capuchon.
	2. Anneau de caoutchouc endommagé dans le capuchon de l'entrée d'air secondaire.	Remplacez l'anneau en caoutchouc.
	3. Le niveau d'huile est insuffisant.	Ajoutez de l'huile jusqu'à la ligne centrale se trouvant sur la fenêtre de contrôleur du niveau d'huile.
	4. L'huile de pompe devient opaque ou absorbe trop d'impuretés.	Remplacez par de l'huile neuve.
	5. L'orifice d'entrée d'huile de la pompe est bouché ou il n'y a pas assez d'huile.	Nettoyez l'orifice d'entrée d'huile, nettoyez le filtre à huile.
	6. Les tuyaux de raccordement de la pompe, le collecteur ou le système ont une fuite.	Contrôlez les joints du tuyau de raccordement et le système, réparez les fuites.
	7. La sélection de la pompe est incorrecte.	Vérifiez la taille du conteneur à évacuer, recalculez et sélectionnez un modèle de pompe approprié.
	8. La pompe est utilisée depuis trop longtemps, des dommages et l'usure des composants ont entraîné une augmentation des espaces entre les pièces.	Vérifiez et réparez ou remplacez la pompe.
Fuite d'huile	1. Joint d'étanchéité d'huile endommagé	Remplacez le joint d'étanchéité d'huile.
	2. Connexions du réservoir d'huile desserrées ou endommagées.	Serrez les vis de raccordement, remplacez les joints toriques.
Pulvérisation d'huile	1. Volume d'huile trop important.	Videz l'huile jusqu'au niveau de la ligne de position.
	2. La pression au port d'entrée est excessivement élevée pendant une longue période.	Sélectionnez une pompe appropriée, augmentez la vitesse de pompage.
Problèmes de démarrage	1. La température de l'huile est trop basse.	Exposez l'orifice d'entrée d'air vers l'environnement ambiant et retirez le dispositif de filtration des fumées d'huile. Utilisez un tournevis pour faire tourner l'axe du moteur dans le sens inverse des aiguilles d'une montre.
	2. Dysfonctionnements du moteur, de la source d'alimentation ou du circuit imprimé.	Vérifiez et réparez.
	3. Des corps étrangers sont entrés dans la pompe.	Vérifiez et enlevez.
	4. La tension d'alimentation est trop basse ou trop élevée.	Vérifiez la tension de la source d'alimentation.
	5. Déclenchements en cas de surcharge.	Quand la surcharge est déclenchée, l'interrupteur est maintenu sur ON. Retirez la batterie, attendez environ 30 secondes avant de contrôler et de réparer.

Remarques :

1. La pompe est actionnée par un onduleur et le moteur est protégé contre les surintensités et les surcharges, veuillez procéder au dépannage après les réinitialisations en cas de surcharge
2. Si les méthodes ci-dessus ne permettent pas de résoudre vos problèmes, veuillez contacter votre distributeur le plus proche ou apporter la pompe dans un centre de réparation. Nous ferons de notre mieux pour vous offrir un service rapide afin que vous puissiez continuer à travailler.

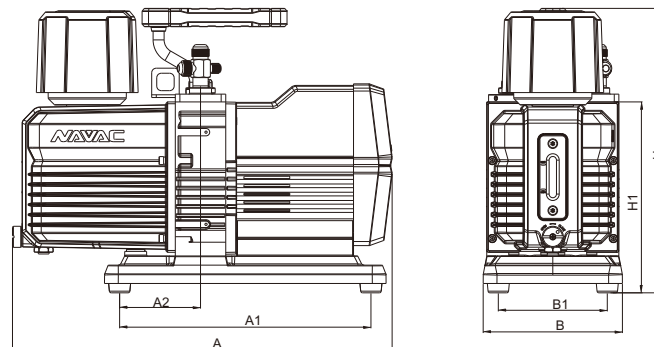
VUE ÉCLATÉE



LISTE DES PIÈCES DE RECHANGE

Ref No.	Part No.	Nom de la pièce
1	P012001	Cache fenêtre de contrôle du niveau d'huile
2	P012002	Fenêtre de contrôle du niveau d'huile
3	P012003	Joint torique de la fenêtre de contrôle du niveau d'huile
4	P012004	Carter d'huile
5	P012005	Filter d'échappement et Boîtier
6	P012006	Pompe réducteur de bruit
7	P012007	Couplage
8	P012008	Joint d'étanchéité
9	P012009	Joint torique
10	P012010	Carter d'huile
11	P012011	Lest d'air
12	P012012	Poignée d'assemblage
13	P012013	Crochet
14	P012014	Boulon
15	P012015	Capuchon 1/2 po
16	P012016	Capuchon 1/4 po
17	P012017	Port d'entrée
18	P012018	Capuchon 3/8 po
19	P012019	Base du port d'entrée
20	P012020	Joint torique du port d'entrée
21	P012021	Plaque de soupape anti-refoulement
22	P012022	Capuchon de soupape anti-refoulement
23	P012023	Assemblage de piston anti-refoulement
24	P012024	Ressort anti-refoulement
25	P012025	Couvercle supérieur
26	P012026	Condensateur
27	P012027	Crochet de condensateur
28	P012028	Assemblage du couvercle arrière
29	P012029	Collier élastique
30	P012030	Ventilateur
31	P012031	Assemblage du moteur à courant continu
32	P012032	Couplage
33	P012033	Garde-corps I
34	P012034	Garde-corps II
35	P012035	Gaine
36	P012036	Joint en caoutchouc
37	P012037	Plaque de base
38	P012038	Pieds en caoutchouc
39	P012039	Assemblage du contrôleur
40	P012040	Plaque de recouvrement

DIMENSIONS



Unité : pouce

Modèle	A	A1	A2	B	B1	H	H1
NP12DM	16.3	10.8	3.5	6	4.7	12.1	8.2