



FRONTIER™ 5707

Multi Centrifuge



Compact Low-Speed Centrifuge with a Modern Touch-Wheel Interface Ideal for General Lab Applications

Frontier™ 5707 is a reliable compact low-speed general purpose centrifuge. Depending on the kit it might include a pre-installed rotor with different capacity: Angle rotor which can handle 8 x 15 ml RB or 4 x 15 ml FA tubes or Angle combi rotor which can handle 4 x 15 ml or 4 x 50 ml RB/FA tubes. Both rotors are suitable for round and conical bottom tubes. Designed with convenient operation in mind, Frontier™ 5707 features a uniquely designed splash-proof front panel with Touch-Wheel control on an intuitive interface.

Unique Features:


- Designed for ease of operation, the Frontier™ 5707 features convenient control on a protective splash-proof interface, which allows for responsive operation—even when wearing gloves.
- Enclosing all its functionalities within a small footprint, the Frontier™ 5707 saves valuable space on the lab bench.
- The kit including 8 x 15 ml RB or 4 x 15 ml FA tubes angle rotor is ideal for general applications, and together with accessories it can be adapted for use with smaller tubes such as 7, 5 and 1.5/2 ml perfect for blood tubes (or clinical) and research applications. Combi rotor is used with 15 ml and 50 ml RB/FA tubes and it is ideal for cell culture application.

FRONTIER™ 5707 Multi Centrifuge

Specifications


Model	FC5707+R05	FC5707+R09
Speed Range	200 rpm – 6 800 rpm; 10 rpm/set	
Maximum RCF	4 445 x g; 10 x g/set	
Rotor in the Package	Rotor Angle 8 x 15 ml RB or 4 x 15 ml FA	Rotor Angle 4 x 50 ml RB/FA or 15 ml RB/FA
Temperature Range	Air Cool	
Running Time	Quick Spin, 10 sec to 99 hr 59 min 59 sec, or continuous	
Noise Level	≤ 60 dB(A)	
Acc/Dec Levels	10/10	
Allowable Density at Maximum Speed	1.2 g/ml	
Allowable Kinetic Energy	845 Nm	1341 Nm
AC Power	230 V ~ 50/60 Hz	
Voltage Fluctuation	± 10%	
Current Consumption	0.8 – 0.4 A	
Power Consumption	50 W	
Dimensions (W x D x H)	277 x 356 x 236 mm	
Net Weight (with rotor)	11.5 kg	
Shipping Dimensions (W x D x H)	370 x 470 x 340 mm	
Shipping Weight (with rotor)	13 kg	
Environment	For indoor use only	

*RB-round bottom, FA-conical bottom

	Order No.	30472305
	Description	Rotor Angle 8 x 15 ml RB or 4 x 15 ml FA
	Compatible with	FC5707
	Max. Speed	6 800 rpm
	Max. RCF	4 445 x g

Accessories

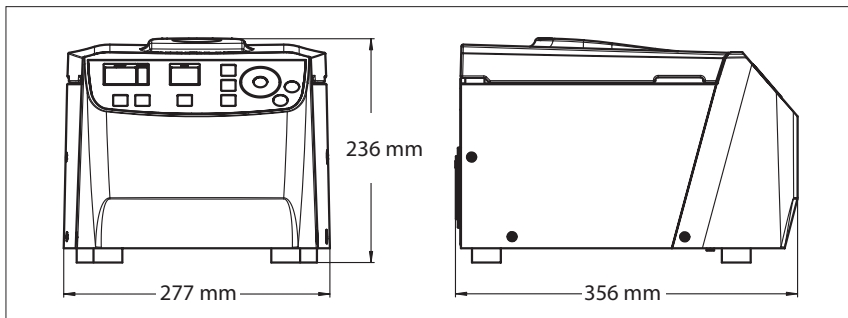
Order No.	Description	Vol./Tube	Diameter	Tube Type	No. of Tubes/Rotor
Without Adapter	Rotor Angle 8 x 15 ml RB or 4 x 15 ml FA	15 ml	17 mm	Round bottom	8
				Conical bottom	4
30130889	Adapter 1 x 7 ml D13 mm Vac/Sar 2/pk	7 ml	13 mm	Round bottom / Vacutainer® / Sarstedt®	8
30130890	Adapter 1 x 5 ml D13 mm Vac/Sar 2/pk	5 ml	13 mm	Round bottom / Vacutainer® / Sarstedt®	8
30130886	Adapter 1 x 1.5/2.0 ml D11 mm 6/pk	1.5/2.0 ml	11 mm	Microtube	8
83041036	Adapter 1 x 1.1-5 ml D15 mm Vac/Sar 2/pk	1.1 – 5ml	15 mm	Vacutainer® / Sarstedt®	8

	Order No.	83041009
	Description	Rotor Angle 4 x 50 ml RB/FA or 15 ml RB/FA
	Compatible with	FC5707
	Max. Speed	6 800 rpm
	Max. RCF	4 445 x g

Accessories

Order No.	Description	Vol./Tube	Diameter	Tube Type	No. of Tubes/Rotor
Without Adapter	Rotor Angle 4 x 50 ml RB/FA or 15 ml RB/FA	50 ml	29 ml	Round bottom / Conical bottom	4
		15 ml	17 ml	Round bottom / Conical bottom	4

Outline Dimensions



Other Standard Features and Equipment

Ten acceleration and ten deceleration rates, pre-selection of running time from 10s to 99h 59min or continuous, audible signal at the end of each run with melody options, quick spin for short runs

Compliance

- **Product Safety:** IEC/EN 61010-1; IEC/EN 61010-020
- **Electromagnetic Compatibility:** IEC/EN 61326-1 Class B, Basic environments
- **Compliance Mark:** CE

80775550_B 20230804 © Copyright OHAUS Corporation

The management system governing the manufacture of this product is ISO 9001:2015 certified.

