



Designed for Durability and Flexible Performance in a Variety of Moisture Applications

MB62 features a redesigned housing, innovative carbon fiber heating and upgraded load cell for enhanced durability and performance. With flexibility in method creation, settings and data access, MB62 is suitable for a variety of moisture applications in numerous industries.

Unique Features:

- Designed with durability and simplicity in mind, the wide 5-inch LCD display, knob control, and new carbon fiber heating technology guarantee a longer service life and reliable results.
- Flexible method and sample management with 4 drying profiles, 7 shut off criteria and library storage for up to 20 methods, and 100 results with sample ID for easy recall.
- Understand the status of your test and machine at all times. The indication curve shows the status of the test, and the machine status can be seen easily with the multi-color status light.

MB62 Moisture Analyzers

Specifications

Model	MB62
Readability	0.01 % / 0.001 g
Repeatability	0.10 % (3 g sample) 0.018 % (10 g sample)
Moisture Range	0.01 % to 100 % (0.01 % to 1000 % in regain mode)
Recommended MC%	0.5 % to 100 %
Minimum Start Weight	0.5 g
Capacity	90 g
Heating Element	Carbon Fiber
Temperature Range	40 - 200 °C (1 °C incremental)
Drying Programs	Standard, Fast, Ramp, Step
Method Library	20
Result Storage	100
Switch-off Criteria	5 automatic, timed (1 - 480 mins), manual
ID Management	10 Sample ID
Status Light	Multi-color status light
Operation Instruction	Progress indicator On-screen instruction Graphic instruction
Display Type	5" LCD with 2 nd line display
Display Results	MC%, DC%, RG%, time, temperature, weight, Method No.
Language	English, French, German, Italian, Spanish, Portuguese, Chinese, Korean, Japanese, Polish, Turkish
Adjustment	Temperature adjustment (100 °C, 160 °C) External weight adjustment (50 g)
Output	RS232, USB device
Power	120 VAC 50/60 Hz
Operating Temperature Range	10 - 40 °C
Pan Size	Ø 3.5 inch / 90 mm
Dimension	210 x 138 x 352 mm / 8.3 x 5.4 x 13.9 inch
Net Weight	4.3 kg / 9.5 lb
Shipping Weight	6.1 kg / 13.4 lb

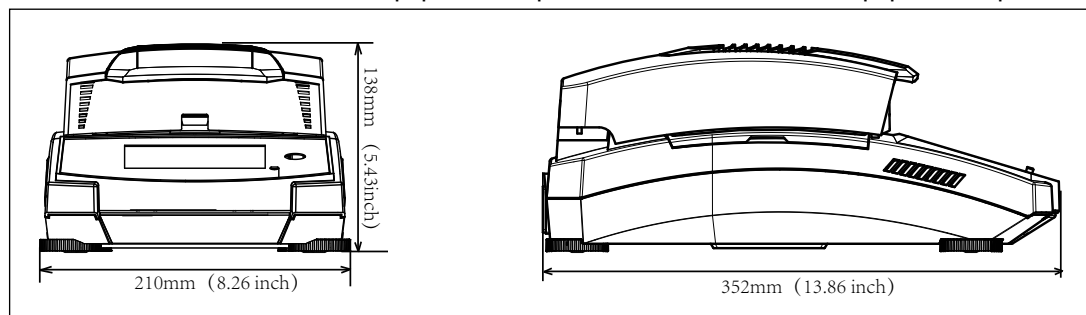
Compliance

- **Product Safety:** IEC/EN 61010-1; IEC/EN 61010-2-010; CAN/CSA C22.2 61010-1; CAN/CSA C22.2 61010-2-010; UL 61010-1; UL 61010-2-010
- **Electromagnetic Compatibility:** IEC/EN 61326-1 Class B, Basic environments; FCC Part 15 Class A; Canada ICES-003 Class A
- **Compliance Marks:** CSA; CE; RCM; WEEE

Accessories

Pan Handler, MB32 MB62 MB92	30954234
In-Use Cover, MB32 MB62	30954235
Temperature Calibration Kit	11113857
Scoop	30284477
Aluminum Pan (80)	80850086
Glass Fiber Pads (200)	80850087
Cage, Sample	80252477
Reusable Pan, Set (3), 7mm	80252478
Reusable Pan, Set (3), 14mm	80252479
SF40A Impact Printer	30064203

Outline Dimensions Test Equipment Depot - 800.517.8431 - TestEquipmentDepot.com



80776943_A 2024618 © Copyright OHAUS Corporation

The management system governing the manufacture of this product is ISO 9001:2015 certified.

